



GE300/GE330 THERMAL LABEL PRINTER USER MANUAL



User Manual: GE300 Series
Version : Ver. 2.0
Issue Date : 2022/11/04
P/N : 920-015411-00

Content

1 Barcode Printer	5
1.1 Box Content.....	5
1.2 Getting To Know Your Printer	6
2 Printer Setup	8
2.1 Open The Printer Cover.....	8
2.2 Open The Printing Mechanism.....	8
2.3 Loading The Ribbon.....	9
2.4 Loading The Label Roll	13
2.5 Loading The Label Supply Hub.....	16
2.6 Connecting The Printer To The Host Computer.....	17
2.7 Installing The Driver.....	19
3 Operation Panel.....	22
3.1 LED Operation Panel.....	22
3.2 Error Alerts	23
3.3 Label Calibration and Self Test.....	24
4 NetSetting for Ethernet.....	25
4.1 Installing The NetSetting software	25
4.2 The Interface of NetSetting.....	26
5 Accessories.....	33
5.1 Install the Cutter.....	33
5.2 Cleaning Method.....	35
6 Maintenance And Adjustment.....	36
6.1 Cleaning The Print Head.....	36
6.2 Troubleshooting.....	37
APPENDIX	38
Wi-Fi Printer Sever Module Installation(Quick Setting).....	38
BT module setting instructions (Connect to mobile phone).....	44
PRODUCT SPENIFICATIONS.....	48
Pinout Description.....	49

FCC COMPLIANCE STATEMENT

FOR AMERICAN USERS

This equipment has been tested and found to comply with the limits for a Class B digital device, pursuant to Part 15 of the FCC Rules. These limits are designed to provide reasonable protection against harmful interference in a residential installation.

This equipment generates, uses, and can radiate radio frequency energy and, if not installed and used in accordance with the instructions, may cause harmful interference to radio communications. However, there is no guarantee that interference will not occur in a particular installation.

EMS AND EMI COMPLIANCE STATEMENT

FOR EUROPEAN USERS

This equipment has been tested and passed with the requirements relating to electromagnetic compatibility based on the standards EN 55032:2015/AC:2016 Class B, EN 61000-3-2:2014, EN 61000-3-3:2013, AS/NZS CISPR 32:2015 Class B, EN 55024:2010/A1:2015.

GE300 SERIES

TO WHICH THIS DECLARATION RELATES

IS IN CONFORMITY WITH THE FOLLOWING STANDARDS

EC 60950-1:2005/AMD 1:2009, IEC 60950-1:2005/AMD2:2013, IEC 60950-1:2005,
IEC 62368-1:2014

EN 55032:2015/AC:2016 Class B, EN 61000-3-2:2014, EN 61000-3-3:2013, AS/NZS CISPR 32:2015 Class B,
EN 55024:2010/A1:2015. 47 CFR FCC Rules and Regulations Part 15 Subpart B, Class B Digital Device
ICES-003 Issue 6, Class B.

GB17625.1-2012; GB4943.1-2011; GB/T9254-2008

CNS13438(095/06/01), CNS14336-1(099/09/30), CNS 15663



Caution: Equipment is intended for installation in Restricted Access Location. Only instructed persons and skilled persons should be allowed to install, replace, or service this equipment.



Hot parts!

Burned fingers when handling the parts
Wait one-half hour after switching off before handling parts

Caution

- * Danger of explosion if battery is incorrectly replaced. Replace only with the equivalent type recommended by the manufacturer.
- * Dispose of used batteries according to the manufacturer's instructions.
- * Only use with designated power supply adapter model.
- * Changes or modifications not expressly approved by the party responsible for compliance could void the user's authority to operate the equipment.

SAFETY INSTRUCTIONS

Please read the following instructions carefully.

1. Keep the equipment away from humidity.
2. Before you connect the equipment to the power outlet, please check the voltage of the power source.
3. Make sure the printer is off before plugging the power connector into the power jack.
4. It is recommended that you connect the printer to a surge protector to prevent possible transient overvoltage damage.
5. Be careful not to get liquid on the equipment to avoid electrical shock.
6. For safety and warranty reasons, ONLY qualified service personnel should open the equipment.
7. Do not repair or adjust energized equipment under any circumstances.

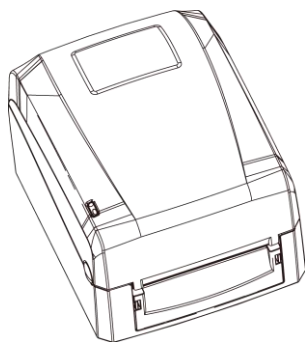
1 Barcode Printer

1.1 Box Content

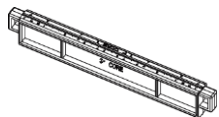
Please check that all of the following items are included with your printer.

* Package content and Logo style may vary per region.

- GE300 Thermal Label Printer



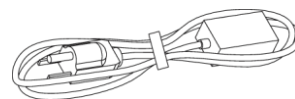
- Label Supply Module
Label Supply Hub



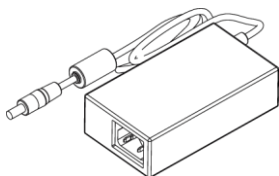
- Ribbon Module
Empty Ribbon Core



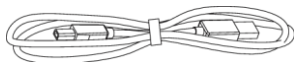
- Power Adapter
Power Cord



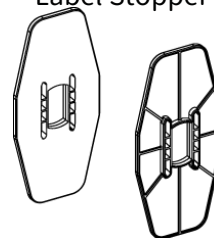
- AC Adapter



- USB Cable



- Label Stopper Plate

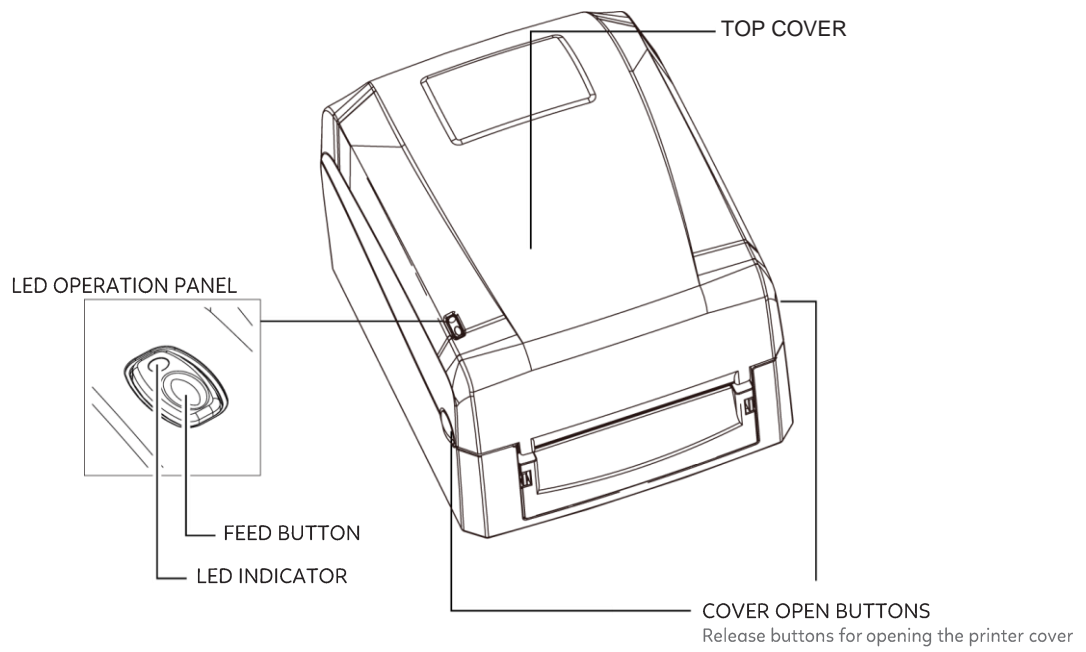


- GE300 Quick Guide

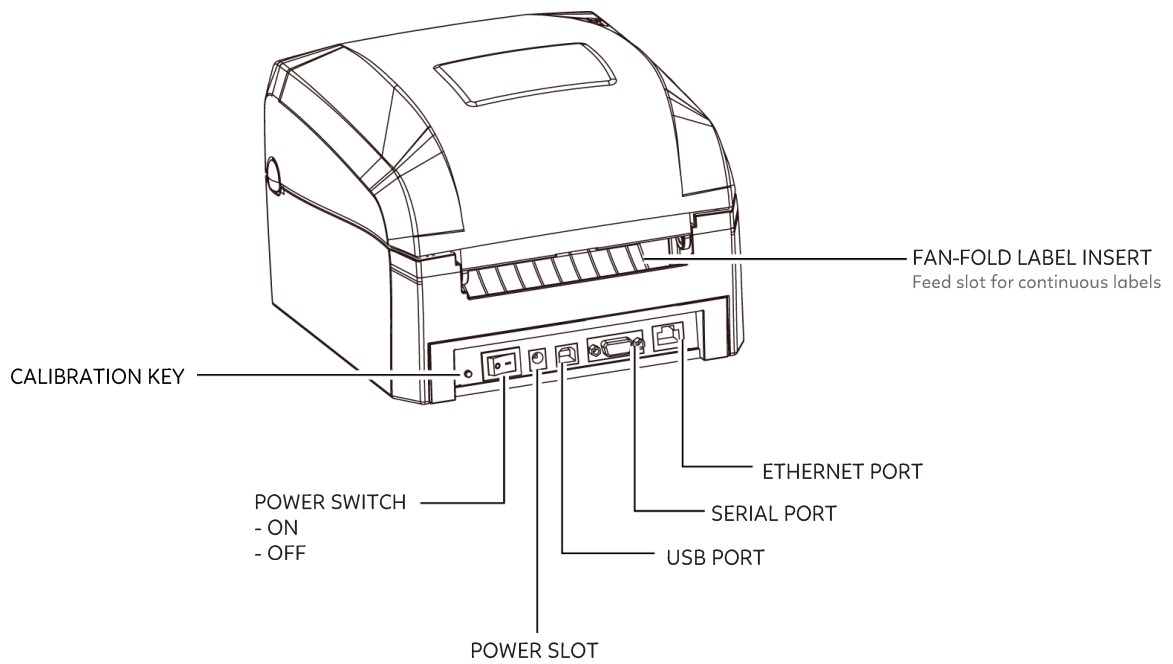


1.2 Getting To Know Your Printer

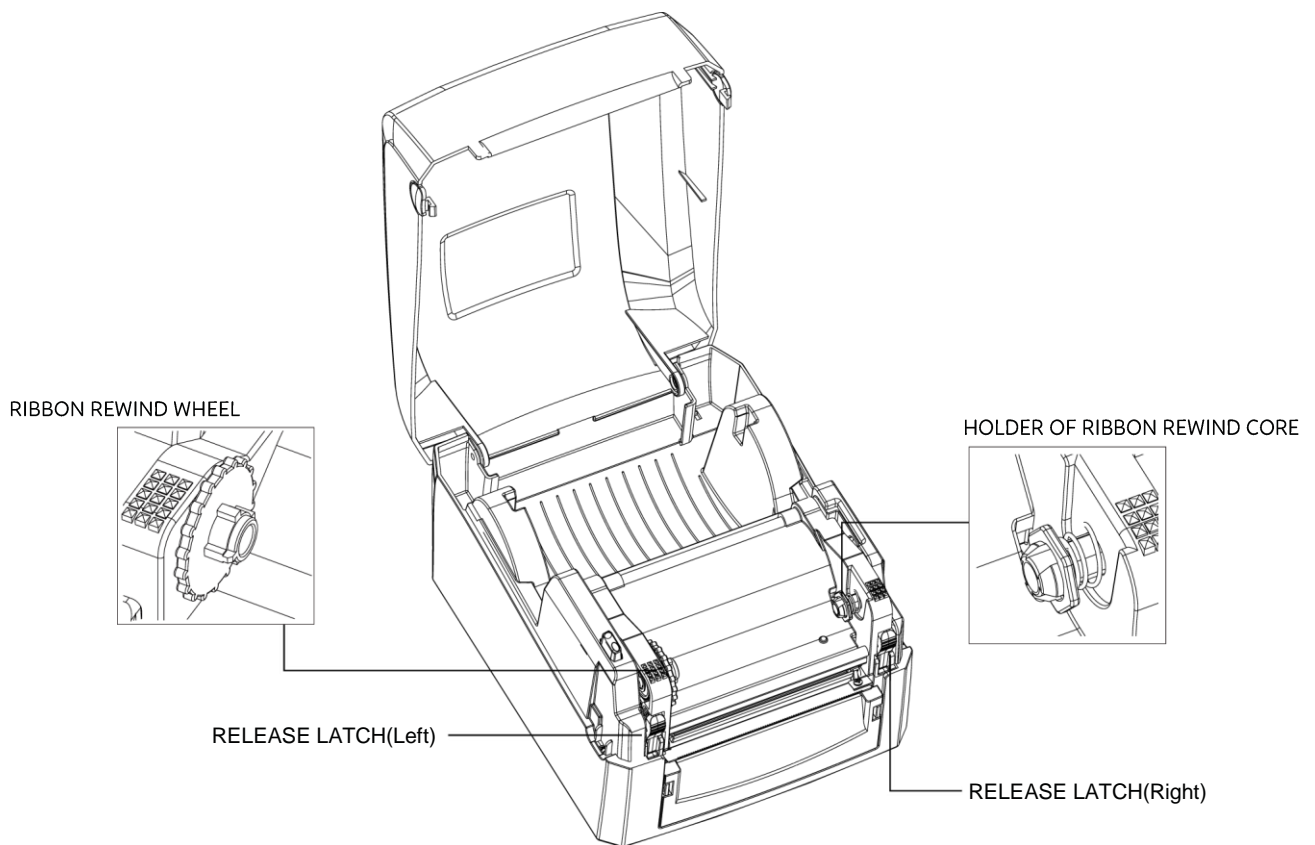
• Device Overview



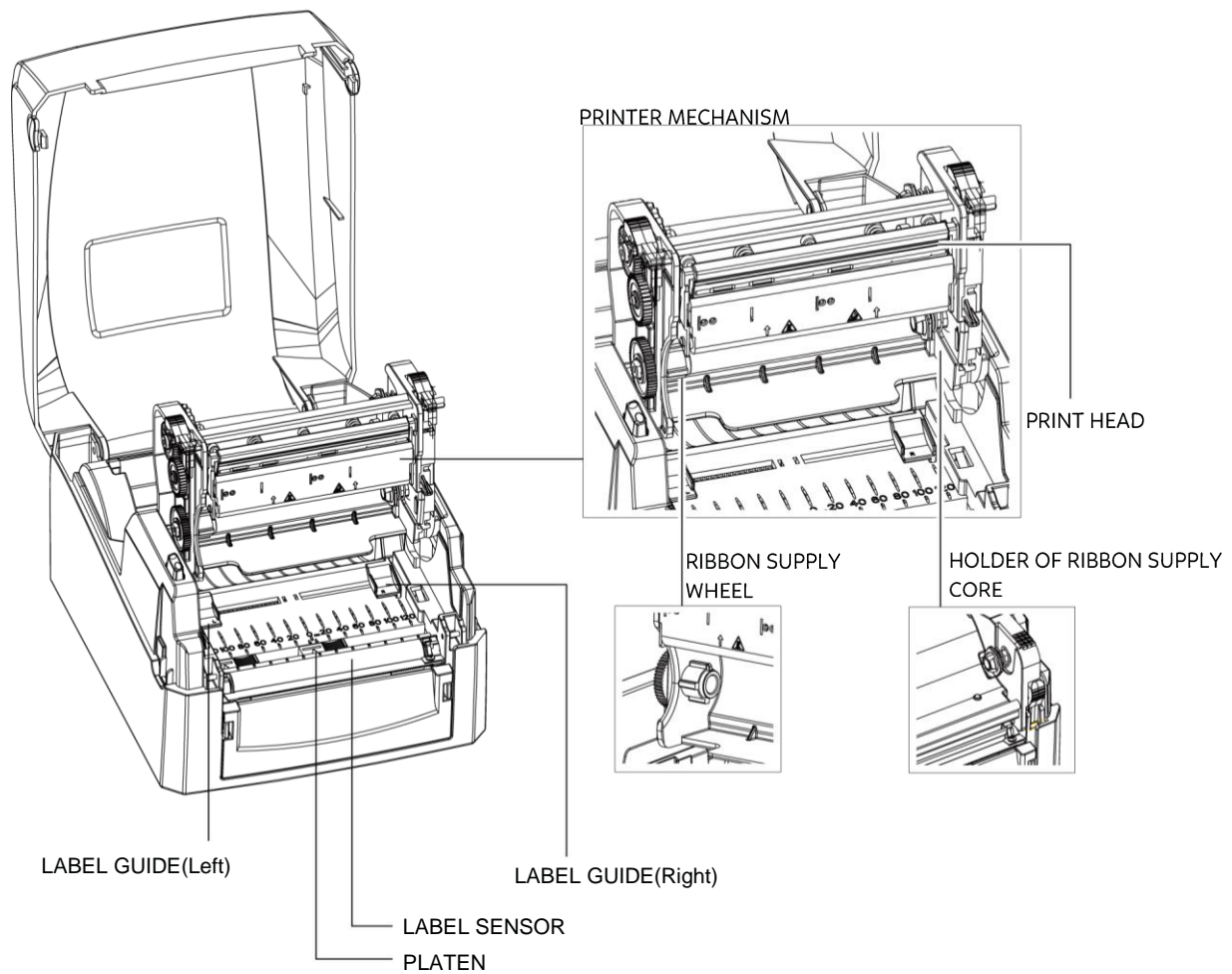
• Rear View



Open The Printer Cover



Open The Printing Mechanism

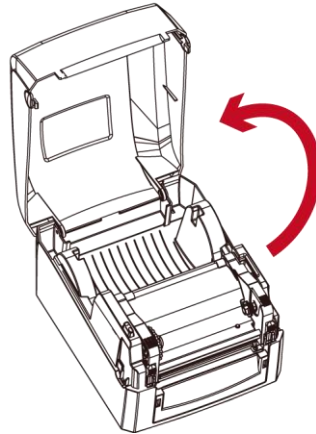
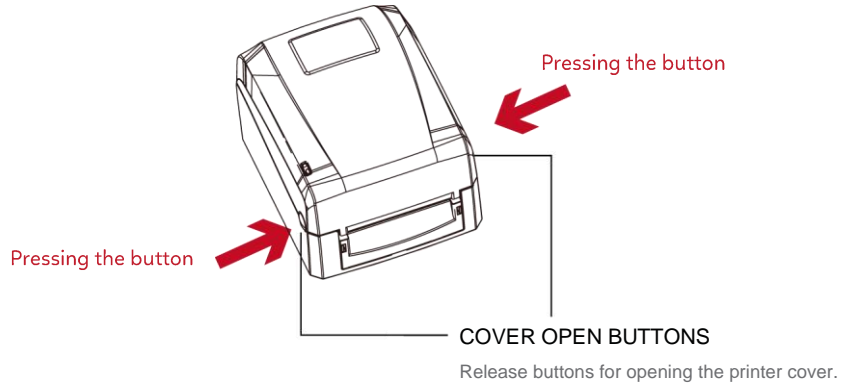


2 Printer Setup

2.1 Open The Printer Cover

Pressing The Cover Open Buttons

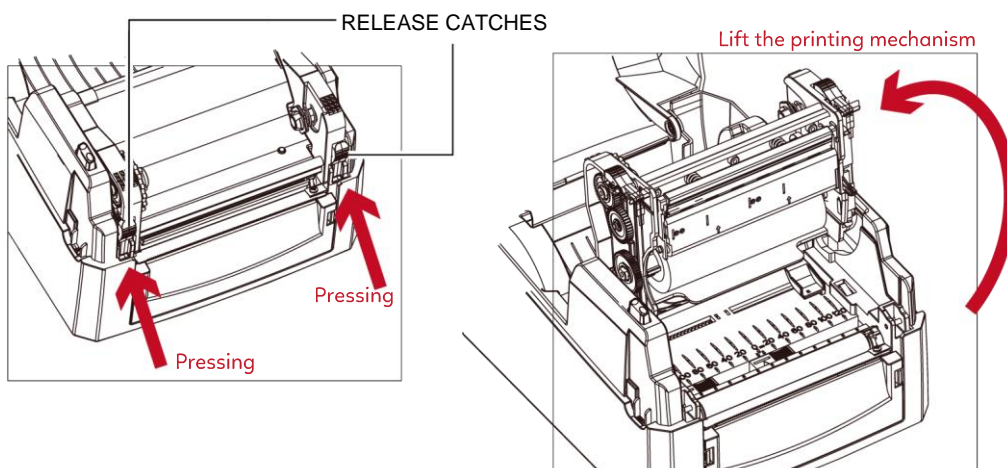
Place the printer on a flat surface. Open the printer cover by pressing the release buttons on both sides of the printer housing and lift the cover.



2.2 Open The Printing Mechanism

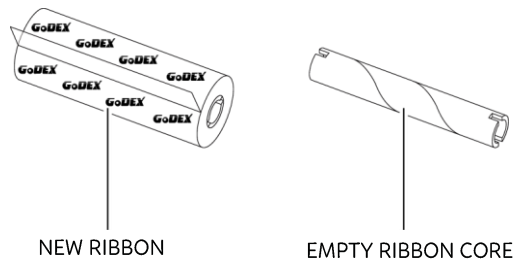
Pressing The Release Catches

Release and lift the printing mechanism.

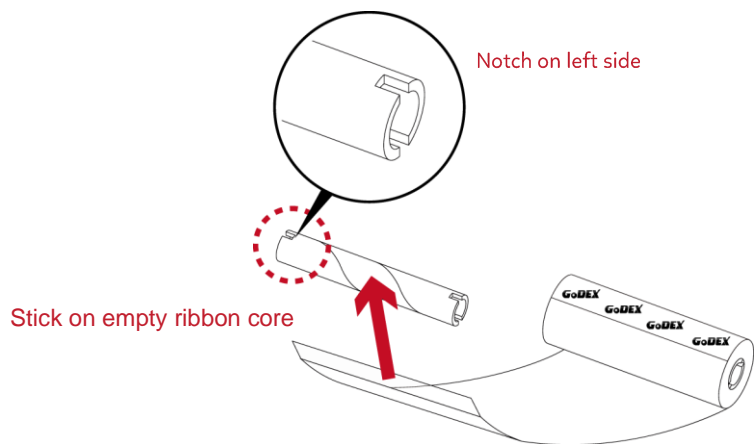


2.3 Loading The Ribbon

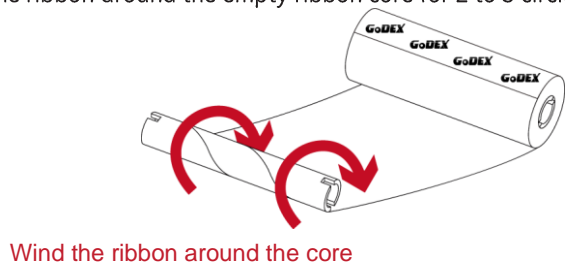
A New Ribbon Module Installation



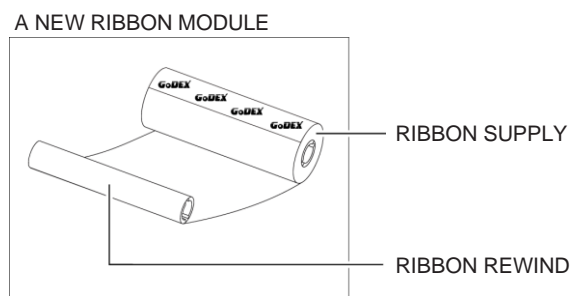
1. Attach the ribbon to the empty ribbon core with the adhesive strip at the end of the ribbon.



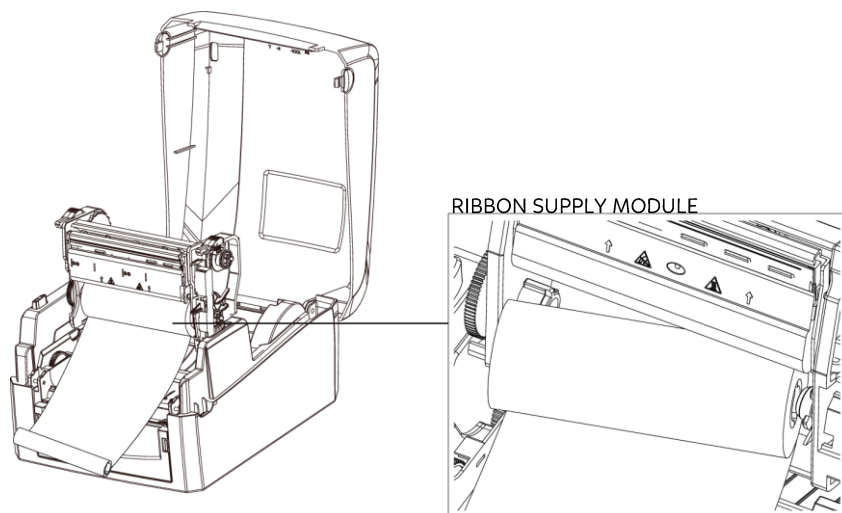
2. Wind the ribbon around the empty ribbon core for 2 to 3 circles.



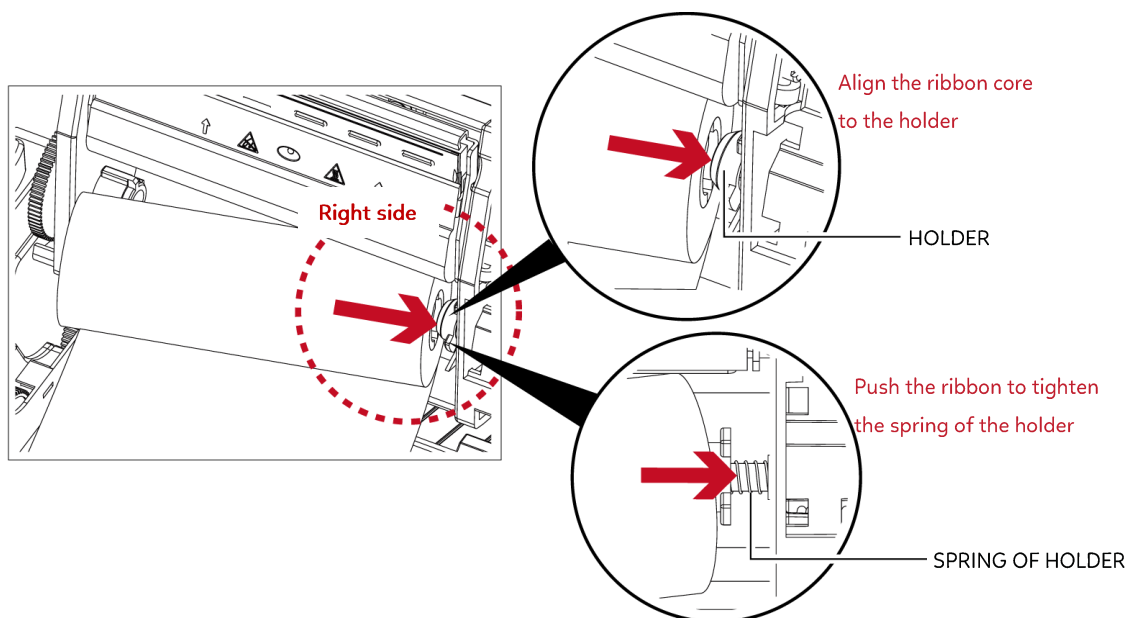
3. A ribbon module is assembled as below.



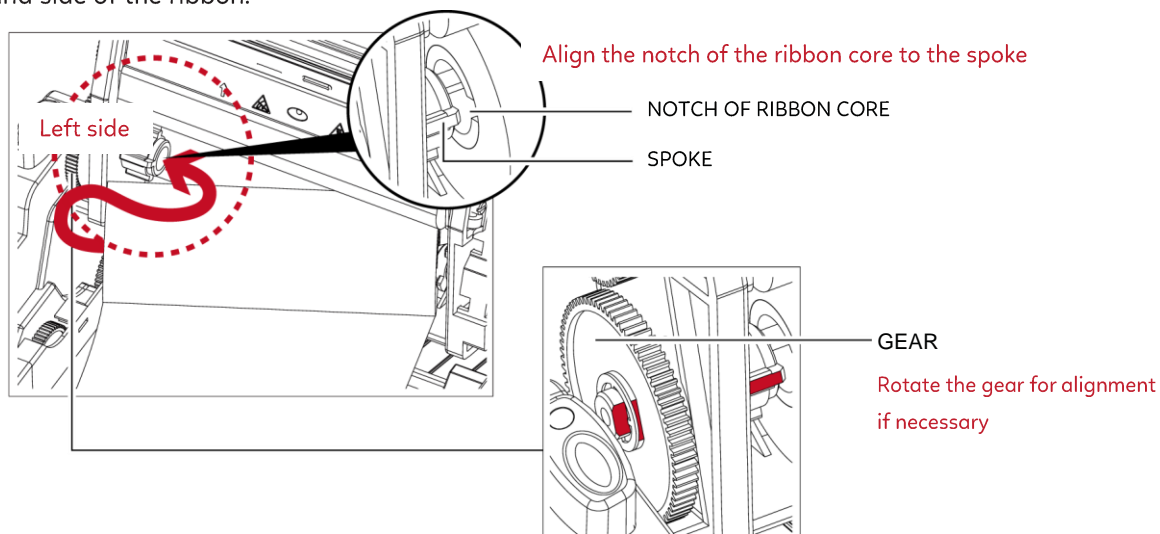
Load The Ribbon On The Printer For Ribbon Supply Module



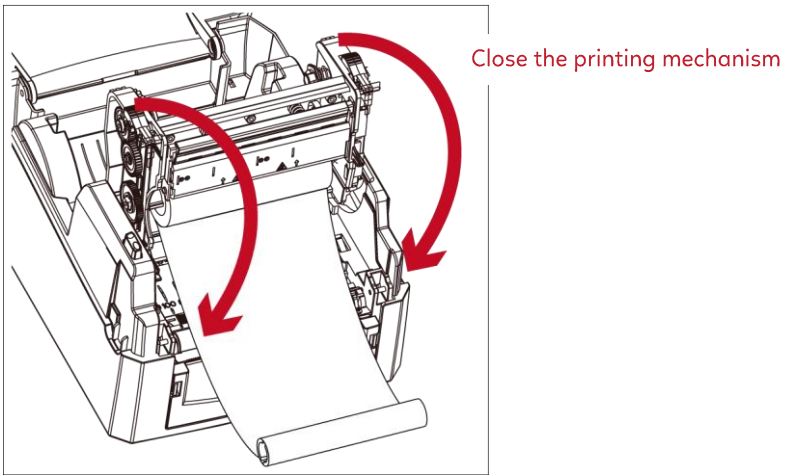
1. Place the right-hand side of ribbon first.



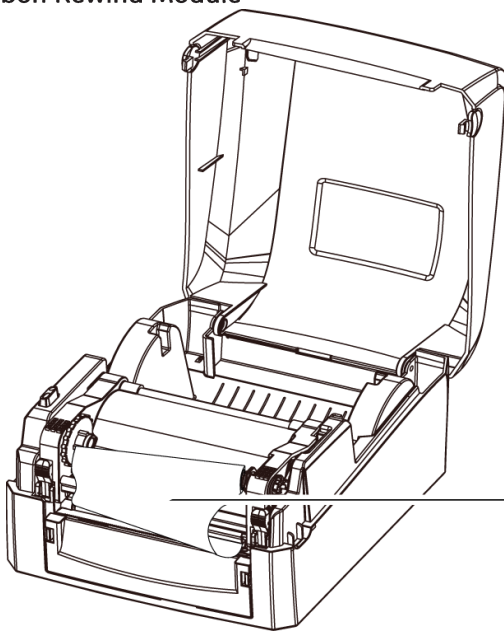
2. Then place the left-hand side of the ribbon.



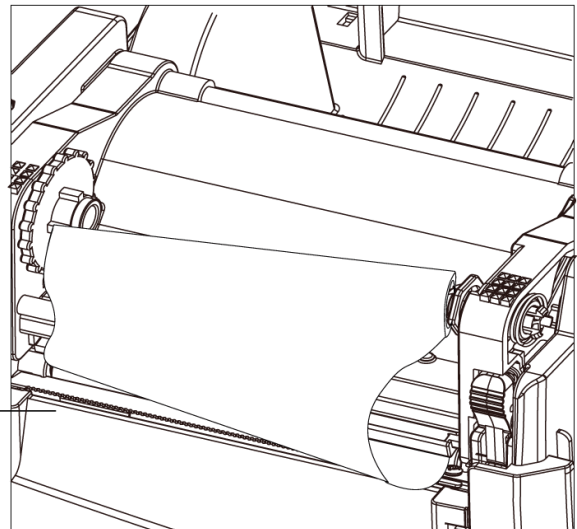
3. Close the printing mechanism to complete the ribbon supply module loading.



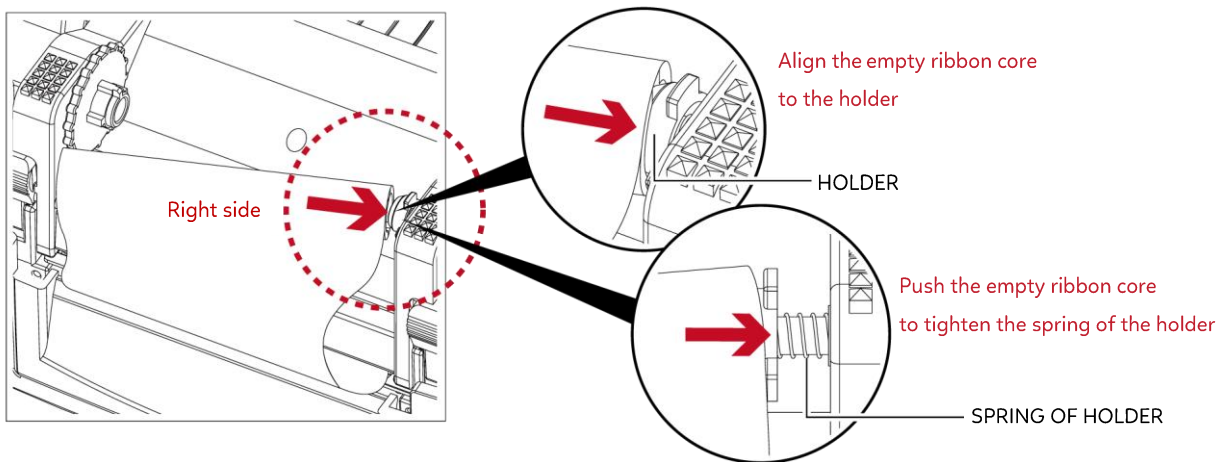
Load The Ribbon On The Printer For Ribbon Rewind Module



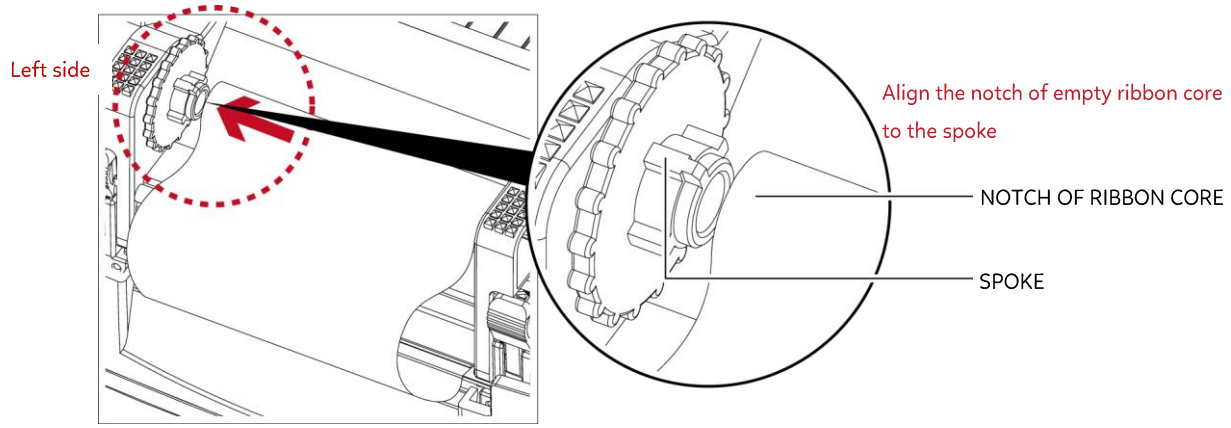
RIBBON REWIND MODULE



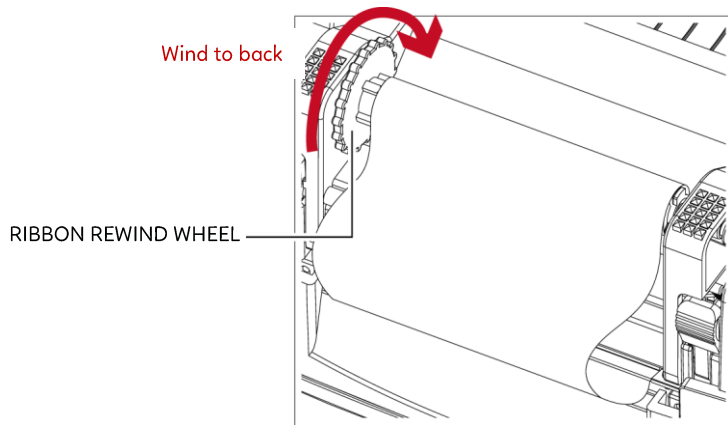
1. Place the right-hand side of empty ribbon core first.



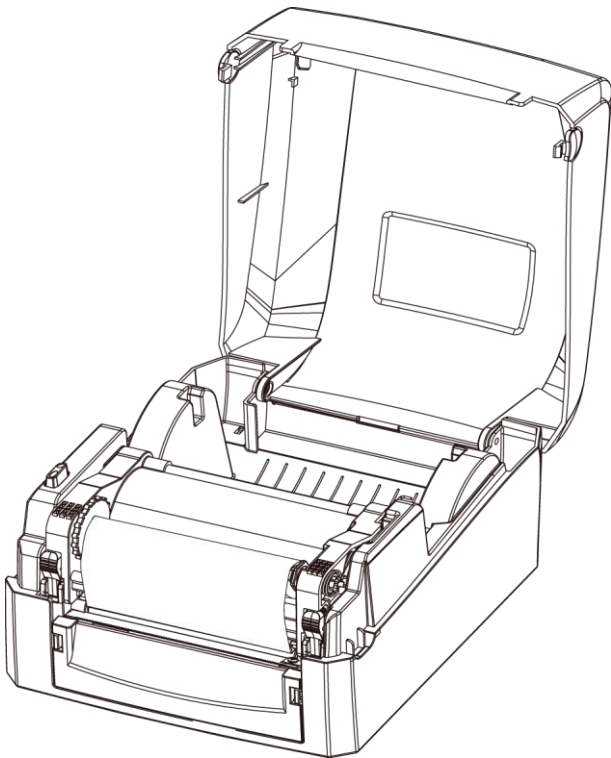
2. Then place the left-hand side of the empty ribbon core.



3. Turn the ribbon rewind wheel to tighten the ribbon until it has no wrinkles.

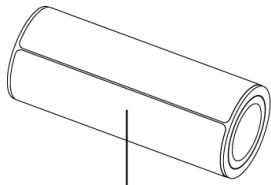


4. Ribbon loading completed.

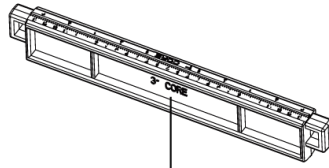


2.4 Loading The Label Roll

A New Label Roll Module Installation

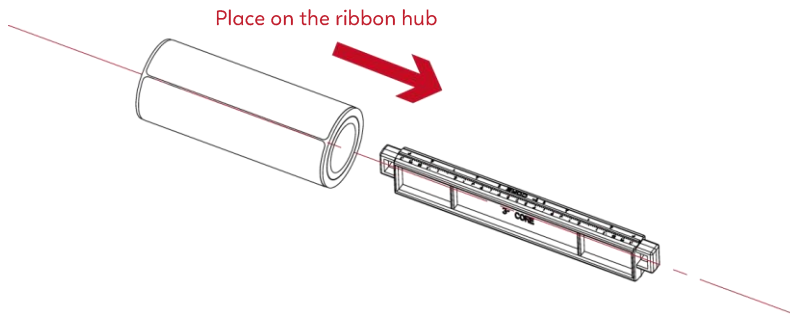


LABEL STOCK

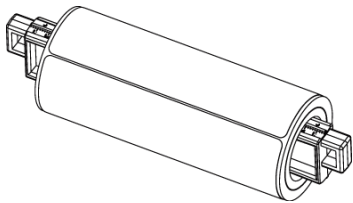


LABEL SUPPLY HUB

1. Place the label stock on the label supply hub, attach the label guide plates to the label stock holder.

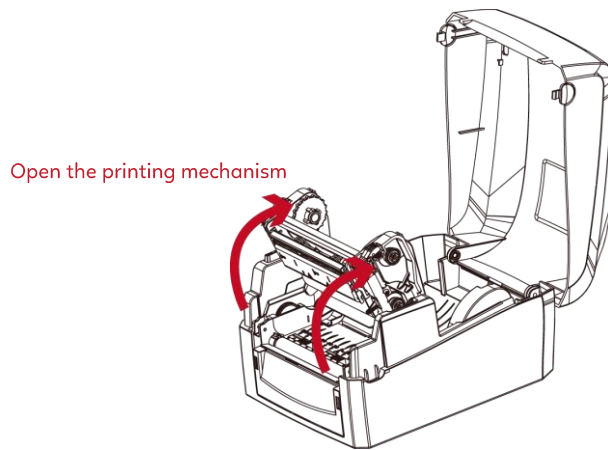


2. A label roll module is assembled as below.
A NEW LABEL ROLL MODULE

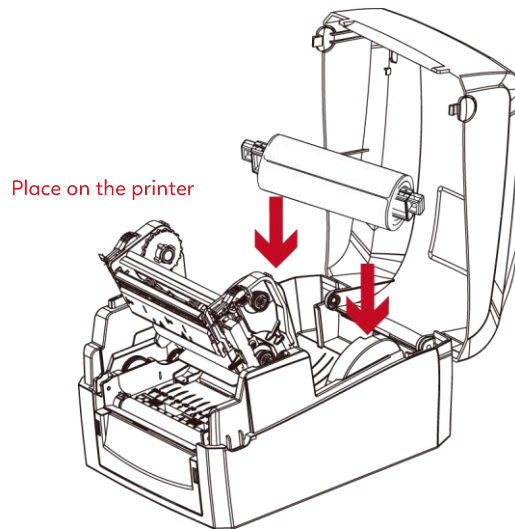


Load The Label Roll Module On The Printer

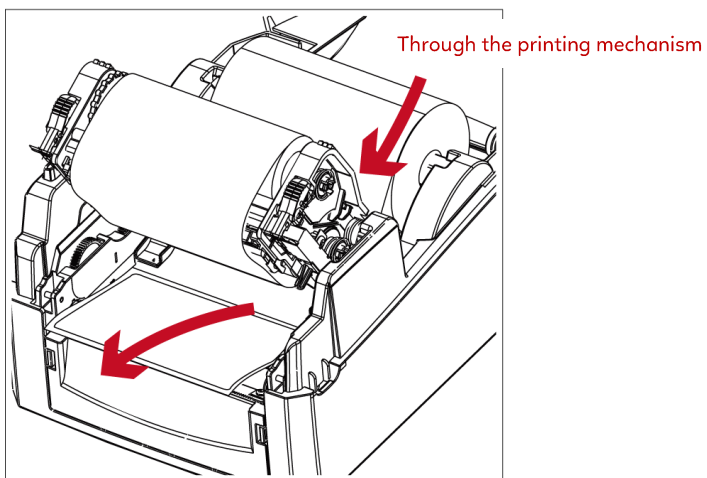
1. Release the printing mechanism and lift it.



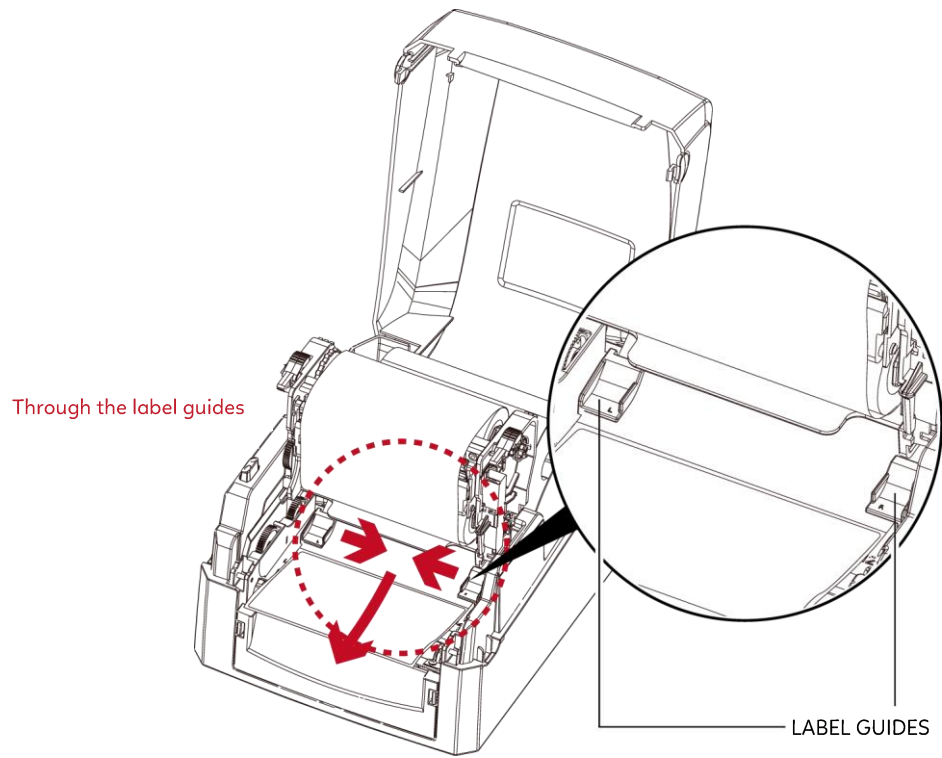
2. Place the label roll module on the printer.



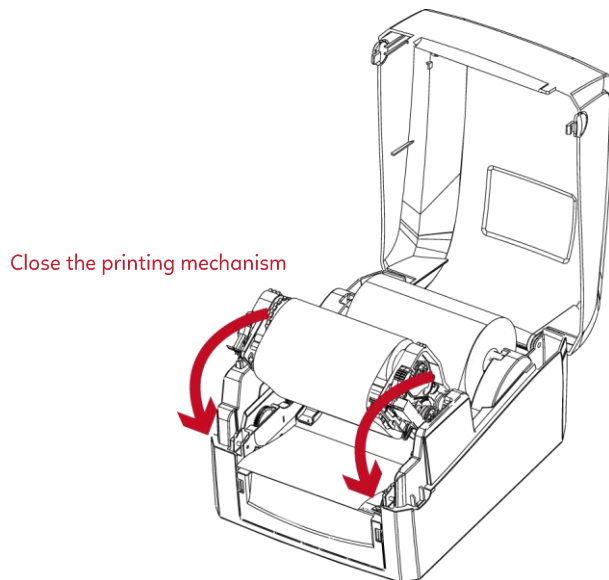
3. Pass the label through the printing mechanism.



4. Pass the label through the label guides and adjust the label guide to the label width. The label guide will help to prevent the label swaying.



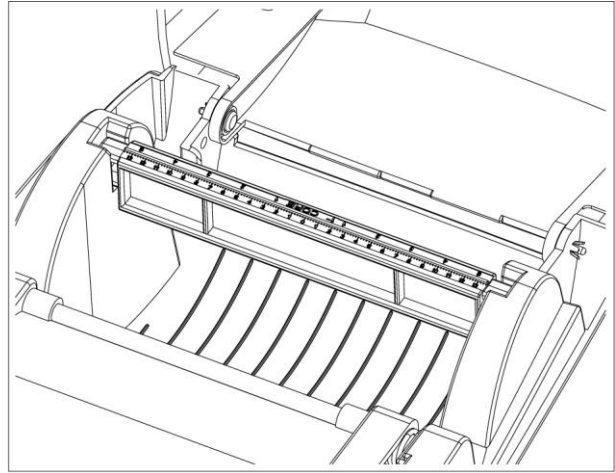
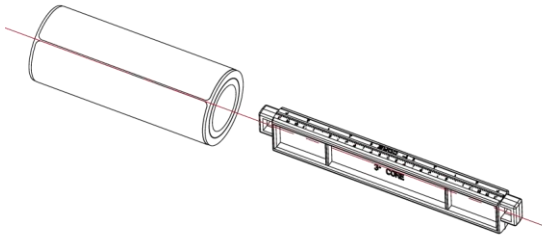
5. Close the printing mechanism and top cover to complete the label loading.



2.5 Loading The Label Supply Hub

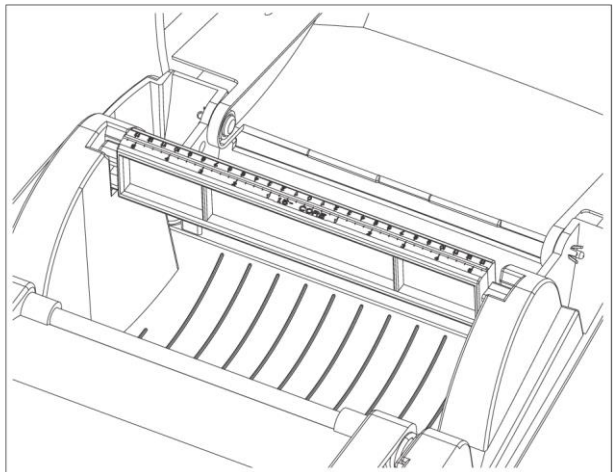
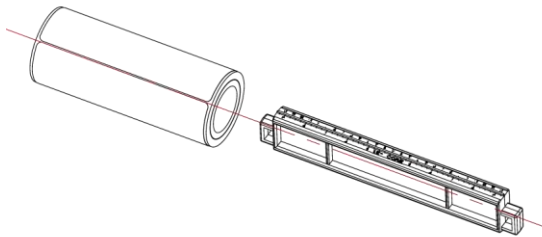
1" Cores

Loading the label supply hub for 1" cores.



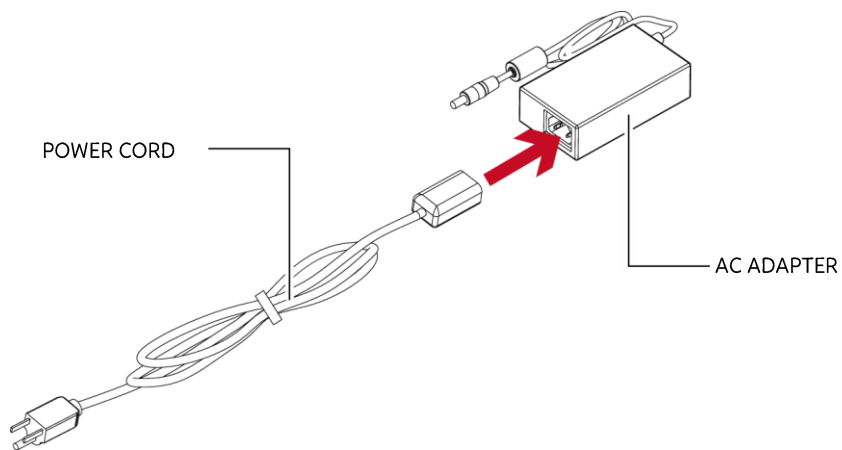
1.5" Cores

Loading the label supply hub for 1.5" cores.

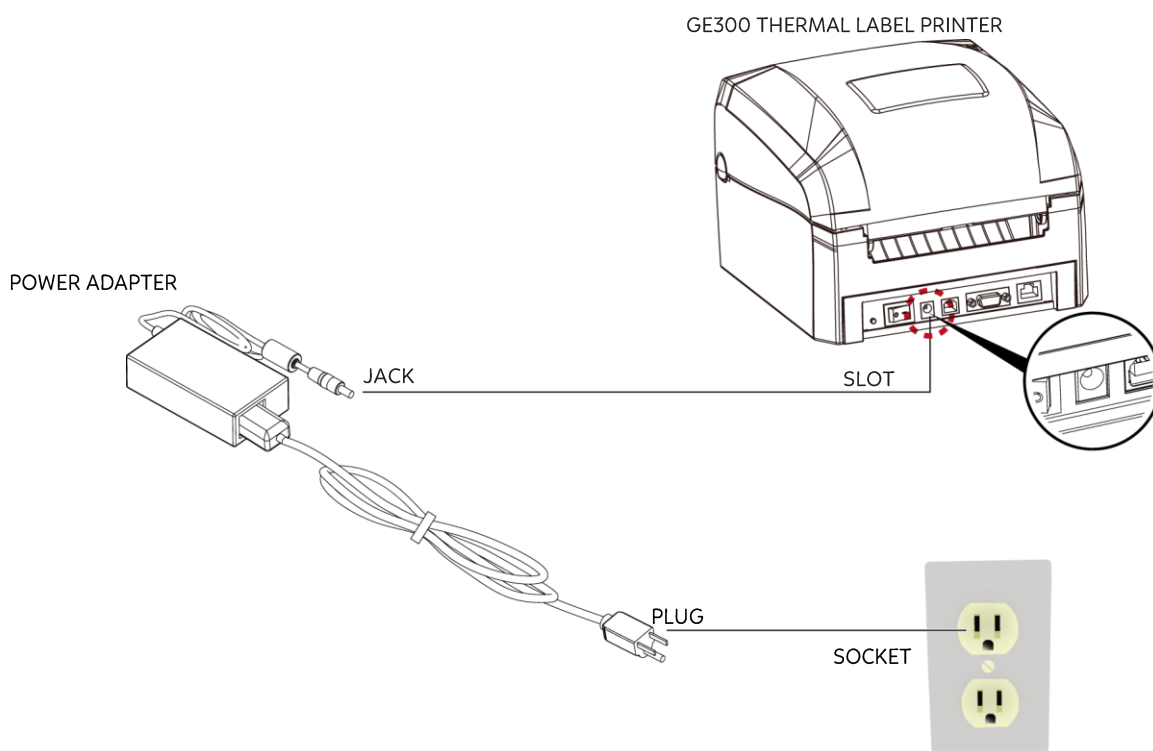


2.6 Connecting The Printer To The Host Computer

1. Please make sure that the printer is switched off.
2. Connect the power cord to the AC adapter.

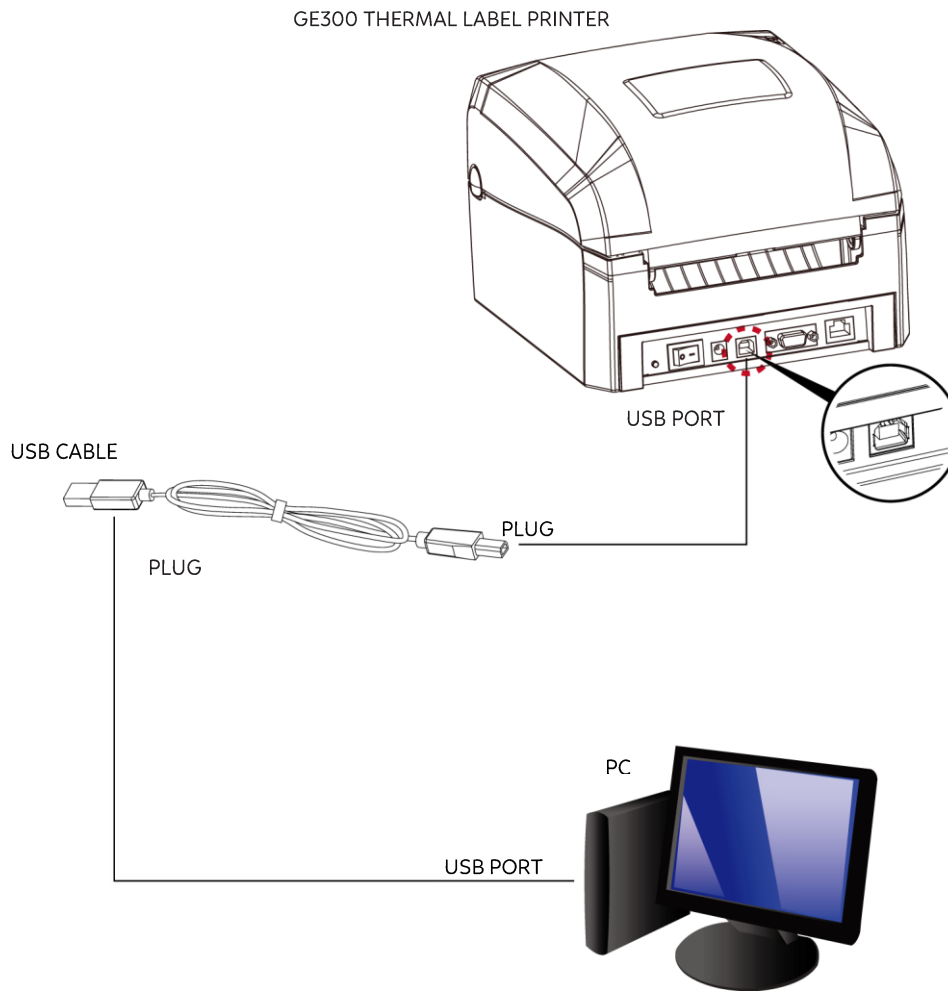


Connect the jack of the power adapter to the printer and connect the plug of the power adapter to the socket of the wall.

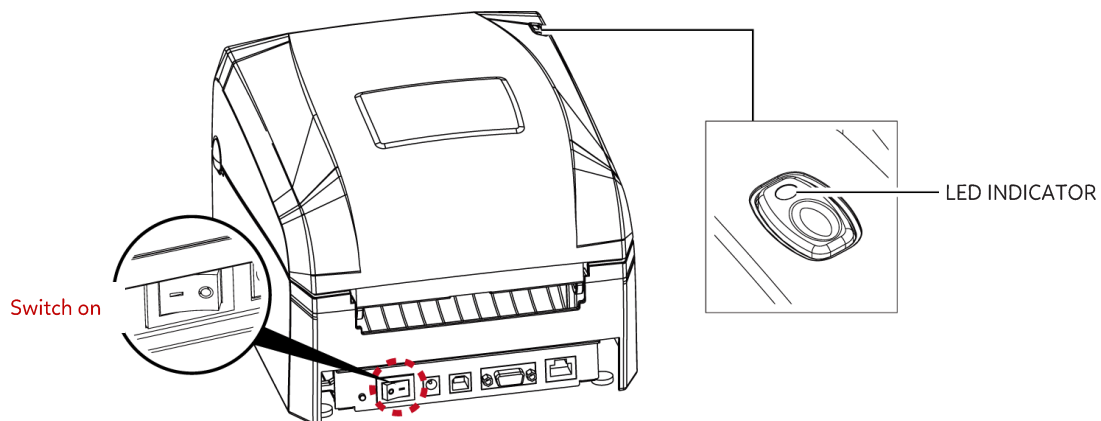


※This equipment must be earthed. The power plug must be connected to a properly wired earth ground socket outlet. An improperly wired socket outlet could place hazardous voltages on accessible metal parts.

3. Connect the USB/parallel cable to the printer and host computer.

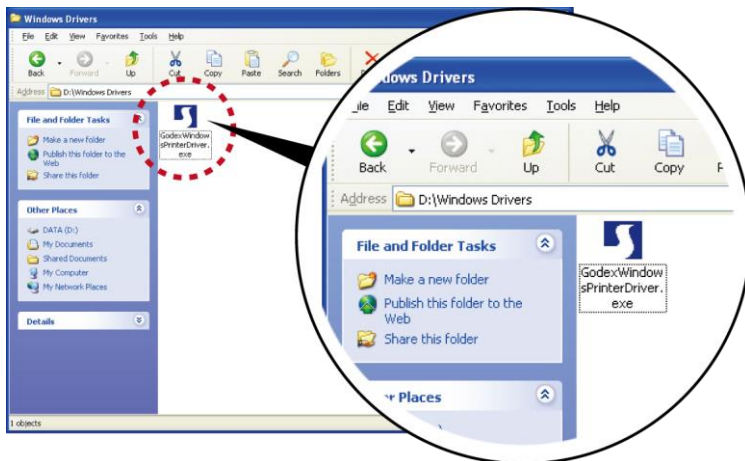


4. Switch on the printer. The LED indicator should now lights up.



2.7 Installing The Driver

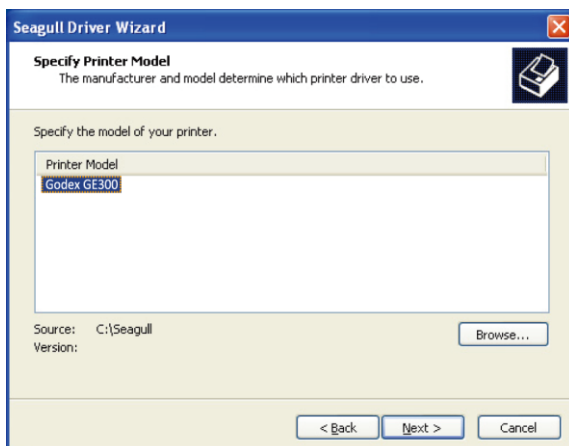
1. Insert the product CD in the CD/DVD drive of the host computer and open the "Seagull Drivers" folder on the CD.
Select the icon for the driver file and click it to start the installation.



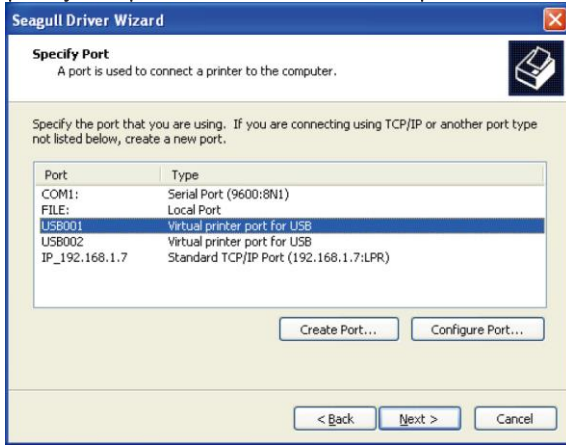
2. Follow the instructions on the screen. The Driver Wizard guides you through the installation procedure.
Select "Install printer drivers".



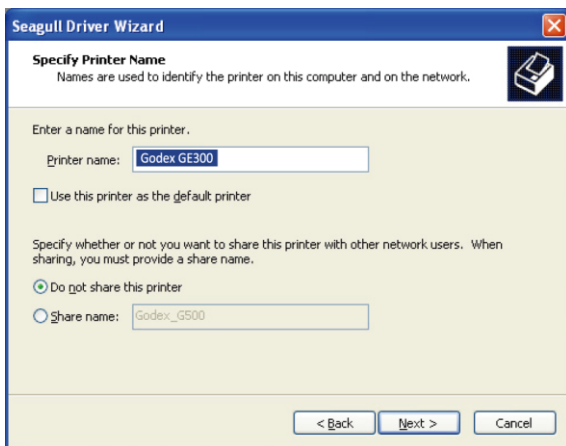
3. Specify your printer model.



4. Specify the port used to connect the printer to the host computer.



5. Enter a printer name and assign the appropriate rights.



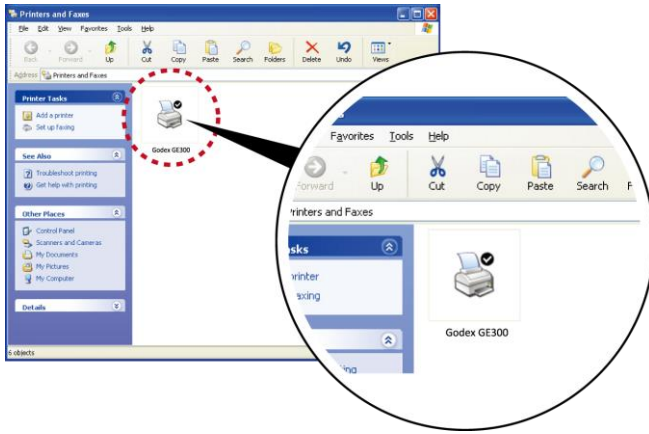
6. Once the installation is complete, a summary of the printer settings is displayed.

Check whether the printer settings are correct and click "Finish" to start copying the driver files.

Wait until copying is complete, then finish the installation.

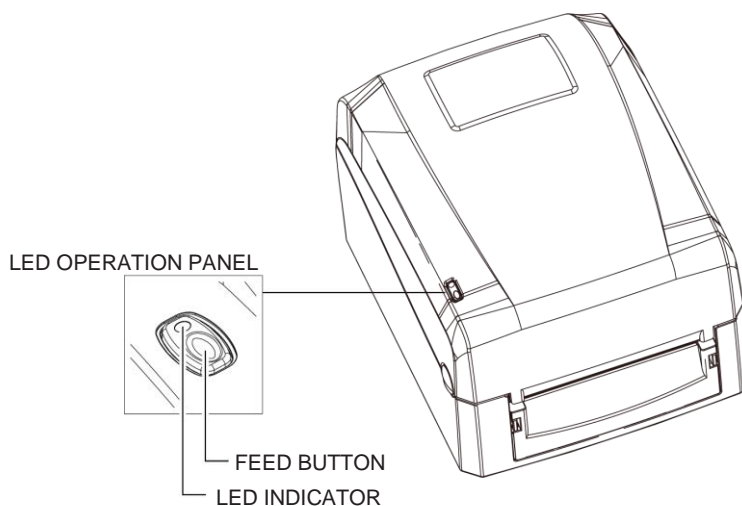


7. Once the driver installation is complete, the new printer should appear in the "Printers and Faxes" folder.



3 Operation Panel

3.1 LED Operation Panel



FEED Button

When you press the FEED button, the printer moves the label to the defined stop position.

If you are using continuous labels, pressing the FEED button will move label stock until you release the button again.

If you are using individual labels, pressing the FEED button will move only one label.

If the label does not stop at the correct position, you need to run the auto-detection function on the label stock, please see Section 3.3 Label Calibration and Self Test.

LED Indicators

LED Indicator	Status	Description
Green	Standby	The printer is ready for operation.
Red, Orange	Error	The printer has detected an error. See Section 3-2. Error Alerts.

3.2 Error Alerts


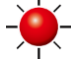

In the event of a problem that prevents normal functioning of the printer, you will see an error message on LED indicators and hear some beep signals. Please refer to below table for the error alerts.

Error Light

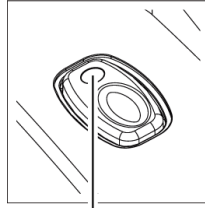
Color

- Red 
- Orange 

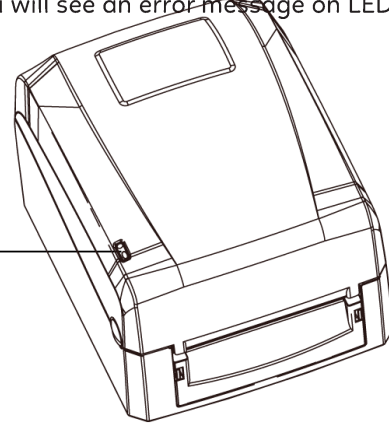
Flashing Frequency







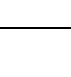
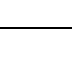


- Fast Flashing 
- Slow Flashing 
- Light on 

LED OPERATION PANEL



LED INDICATOR



LED Indicator	Status	Description	Solution
 → 	Media Error	Unable to detect the paper.	Run the auto-detection function again.
 → 		The ribbon or labels are finished.	Replace the ribbon or label roll.
 → 	Settings Error	Paper jam.	Possible reasons: The paper feed roller is blocked. No gap or black mark could be detected.
 → 	Settings Error	No ribbon is loaded, but thermal transfer mode is selected as printing mode.	1. To work in thermal transfer mode, load a ribbon. 2. Alternatively, select the direct thermal printing mode.
	Memory Error	The memory is full. The printer also prints the message "Memory full".	Delete data you no longer need from the printer memory.
		Unable to find file. The printer also prints the message "Filename cannot be found".	Use the "~X4" command to print a list of all existing file names. Check whether the file name is correct.
		File name already exists. The printer also prints the message "Filename is repeated".	Change the name of the file and try storing it on the printer again.
	Print Head Error	The print head temperature is too high.	Wait for the print head to cool down to operating temperature. The printer will then switch to standby mode and the LED will stop flashing.

3.3 Label Calibration and Self Test

Label Calibration

The printer can automatically detect and store label height.

That means the host computer does not need to transmit the label height to the printer.

Self Test

Self-test function lets you check whether the printer is functioning normally.

Here is how you run the label size calibration and self test.

1. Check that the label stock is loaded correctly.
2. Switch off the printer.
3. Switch the printer on again, keeping the FEED button pressed. When the LED starts to flash red, release the FEED button.

The printer will now measure the label stock and store the label height.

4. Once the printer has successfully measured the label stock, it will print a self-test label.

The contents of a self-test printout are listed below.

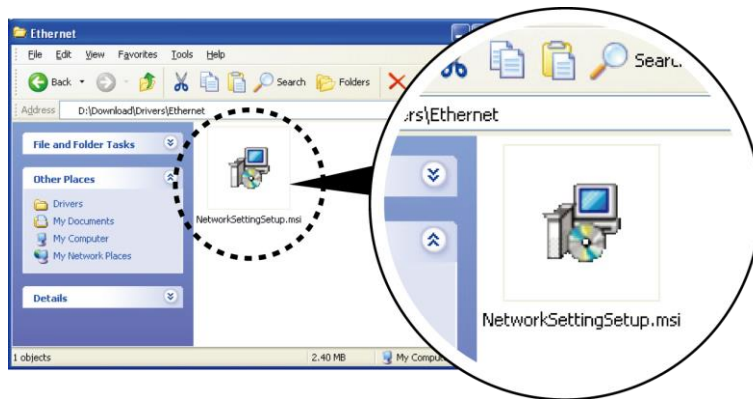
Model & F/W Version	GE300:GX.XXX
USB ID setting	USB S/N:12345678
Serial port setting	Serial port:96,N,8,1
MAC address of Ethernet port	MAC Addr:xx-xx-xx-xx-xx-xx
IP protocol setting	DHCP Enable
IP address of Ethernet port	IP xxx.xxx.xxx.xxx
Gateway setting	Gateway xxx.xxx.xxx.xxx
Netmask setting	Sub-Mask xxx.xxx.xxx.xxx
	#####
Number of DRAM installed	1 DRAM installed
Image buffer size	Image buffer size:1500 KB
Number of forms	0000 FORM(S) IN MEMORY
Number of graphics	0000 GRAPHIC(S) IN MEMORY
Number of fonts	000 FONT(S) IN MEMORY
Number of Asian fonts	000 ASIAN FONT(S) IN MEMORY
Number of Databases	000 DATABASE(S) IN MEMORY
Number of Scalable fonts	000 TTF(S) IN MEMORY
Free memory size	4073 KB FREE MEMORY
Speed, Density, Ref. Point, Print direction	^S4 ^H8 ^R000 ~R200
Label width, Form length, Stop position	^W102 ^Q100,3 ^E18
Cutter, Label Dispenser, Mode	Option:^D0 ^O0 ^AD
Sensor Setting	Reflective AD:1.96 2.84 2.49[0.88_23]
Code Page	Code Page:850
Printer is on factory default	Default state=Yes

4 NetSetting for Ethernet

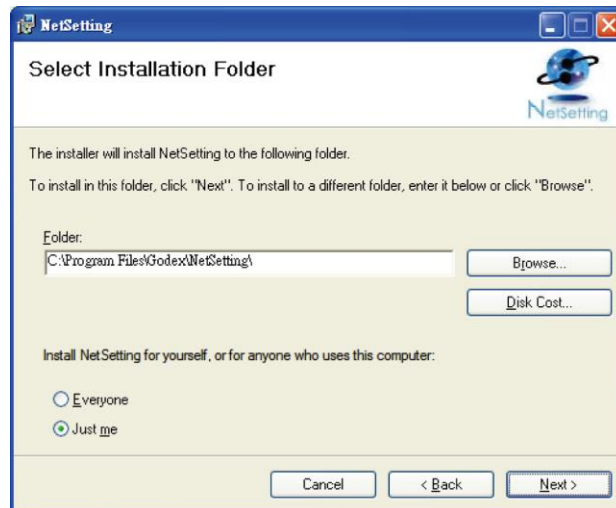
4.1 Installing The NetSetting software

The NetSetting software is used to manage the network configurations when connecting the printer via Ethernet port. It is available on product CD or can be downloaded from official website. To install the NetSetting, please follow below steps.

1. Insert the product CD in the CD/DVD drive of the host computer and open the "Ethernet" folder on the CD.
2. Select the icon for the NetSetting installation file and click it to start the installation.



3. Follow the instructions on the screen. The Setup Wizard guides you through the installation procedure.
4. Specify the "Installation Folder".

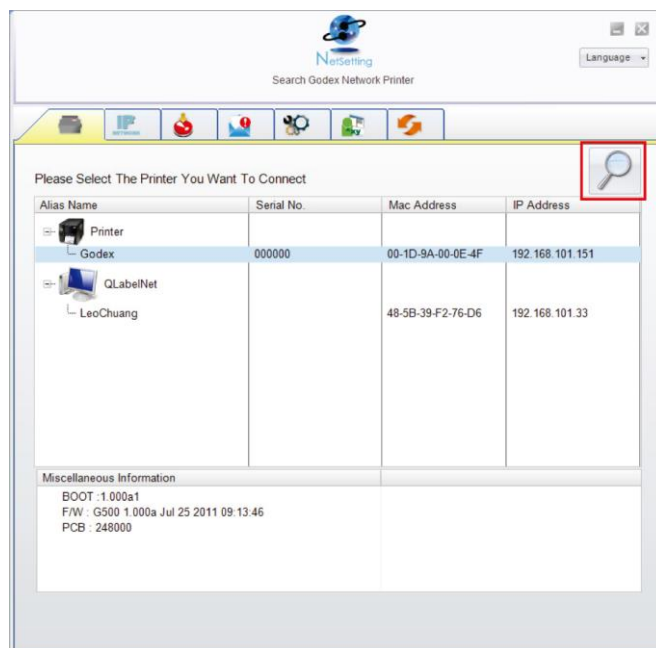


5. Click "Next" to start the installation.
6. Once the installation is completed; you will see the NetSetting icon on your desktop.

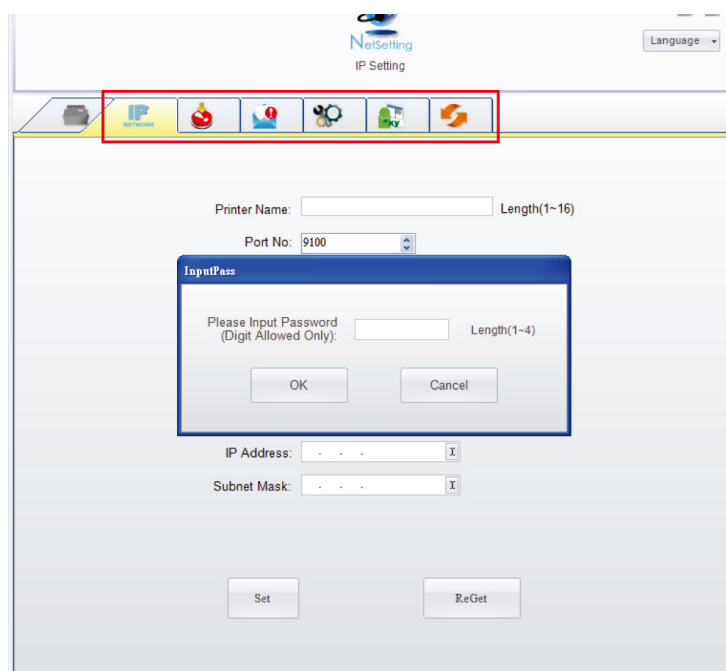


4.2 The Interface of NetSetting

Click the NetSetting icon to start the program; you will see the start page as below. The start page will display the basic information of connected printer and your PC.



Click the magnifier icon to search the Godex printers which are connected via Ethernet port in you network environment. Once a connected Godex printer is detected, it will be listed on the start page.



There are six tabs on the top of interface which can configure different types of network settings. But for the data security reason, you need correct password to enter the configuration pages.

Notice

* The default password is "1111", you can change the password later from the "IP Setting" tab.

IP Setting

The IP Setting tab can change the printer name, Port number, Gateway setting and the password for configuring the printer. You can also set the printer's IP address either by DHCP or by Static IP.

The screenshot shows the 'NetSetting IP Setting' window. At the top, there is a 'Language' dropdown menu. Below it is a navigation bar with icons for printer, IP NETWORK, and other settings. The main area contains the following fields and options:

- Printer Name: Godex (Length(1~16))
- Port No: 9100
- Default Gateway: 192 . 168 . 0 . 254
- Password: 0000 (Length(1~4))
- Get IP From DHCP Server
- Static IP
- IP Address: 192 . 168 . 101 . 151
- Subnet Mask: 255 . 255 . 255 . 0

At the bottom, there are two buttons: 'Set' and 'ReGet'.

You can press "Set" button to apply the settings and "ReGet" button to refresh the setting values.

Notice

* To fully benefit from the NetSetting software, you should be familiar with basic networking principles. Please contact your network administrator for related network setting information.

* When enabling DHCP, if you find the IP Address as: IP = 169.254.229.88 Netmask = 255.255.0.0
Gateway = invariable (last value), the IP Address is invalid.

Alert Path Setting

NetSetting will send the alert messages to designated mail account when the error happened on printer. The alert messages are sent by SMTP (Simple Mail Transfer Protocol) or SNMP (Simple Network Management Protocol).

You can set or change the configurations of SMTP and SNMP on this “Alert Path Setting” tab.

NetSetting
Alert Path Setting

Language

SMTP Notification Enable

Login Account: Length(1~64)
Login Password: Length(1~16)
Server IP Address: xxx.xxx.xxx.xxx
Mail Subject: Length(1~60)
Mail From Address: Length(1~32)
Mail To Address: Length(1~32)
Duration Cycle: 0 ~ 168 Hours
Event Counter: 1 ~ 100

SNMP Notification Enable

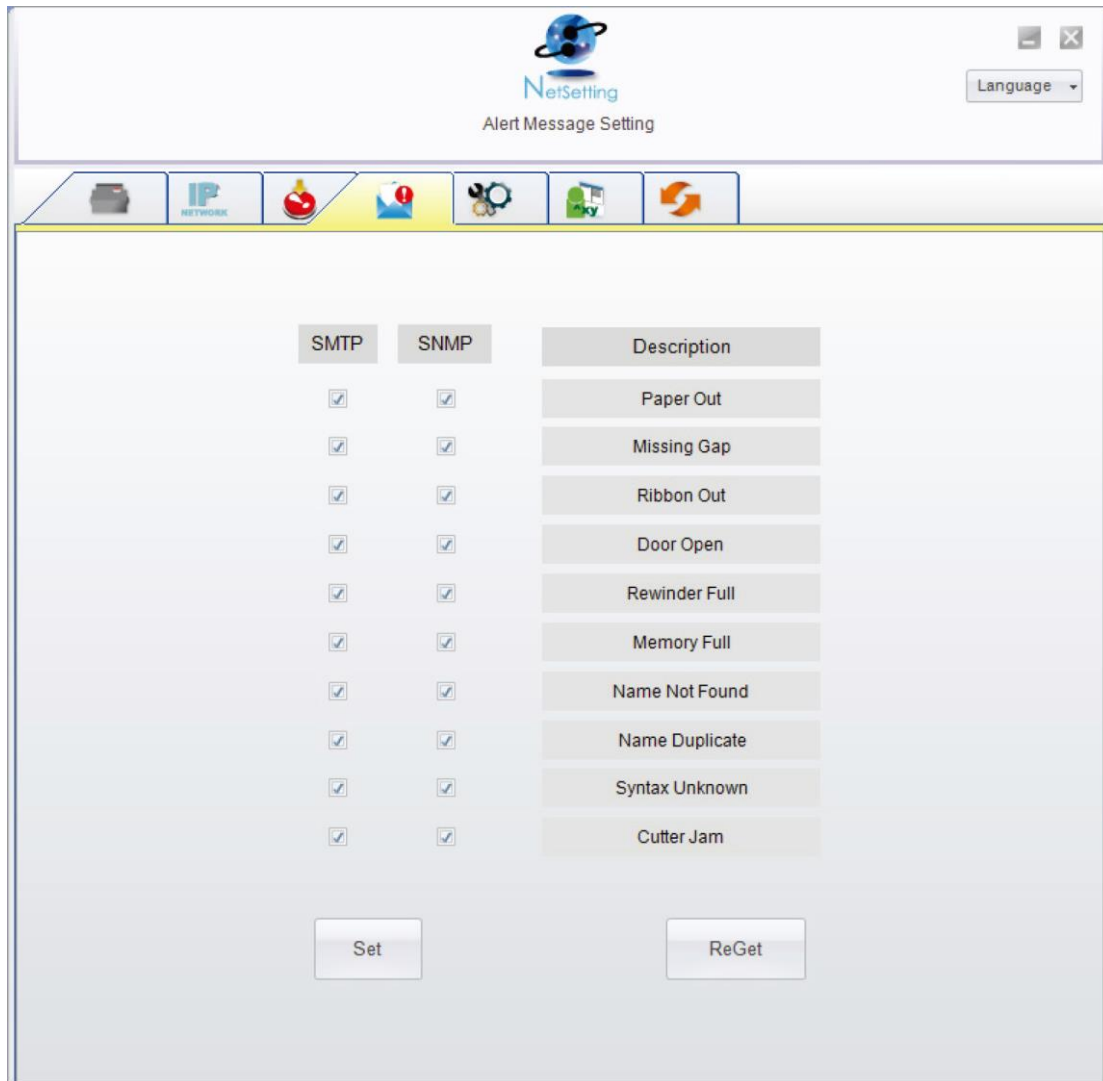
SNMP Community: Length(1~16)
SNMP Trap Community: Length(1~16)
Trap IP Address: xxx.xxx.xxx.xxx

Set ReGet

You can press “Set” button to apply the settings and “ReGet” button to refresh the setting values.

Alert Message Setting

For the alert message notification function, you can decide which error cases need to be sent out to the operator. Moreover, the alert messages can be set to be sent by SMTP, SNMP or both.



You can press "Set" button to apply the settings and "ReGet" button to refresh the setting values.

Printer Configuration

Set or change the configurations of connected printer. Most of key settings for the printer operation can be done by this setting page.

The screenshot shows the 'Printer Configuration' window from NetSetting. The window title is 'Printer Configuration' and it has a 'Language' dropdown menu in the top right corner. Below the title bar is a navigation bar with icons for printer, network, power, help, settings, and refresh. The main content area is titled 'Printer Setup' and contains several settings:

Printer Model	Resolution	Speed	Darkness	Stripper/Applicator	Labels per Cut	Printing Mode
GE300	203	4	10	0 (None)	0	Thermal Transf

Below the 'Printer Setup' section are two sections: 'PC Com Port Settings' and 'Miscellaneous'.

PC Com Port Settings:

Baud Rate	Parity	Data Bits	Stop Bits
9600	None	8	1

Miscellaneous:

LCD Language	Keyboard Language	Code Page	Buzzer	Sensing Mode	Smart Backfeed	Top Of Form
		Code Page 850	ON	2 - Automatic	OFF	ON

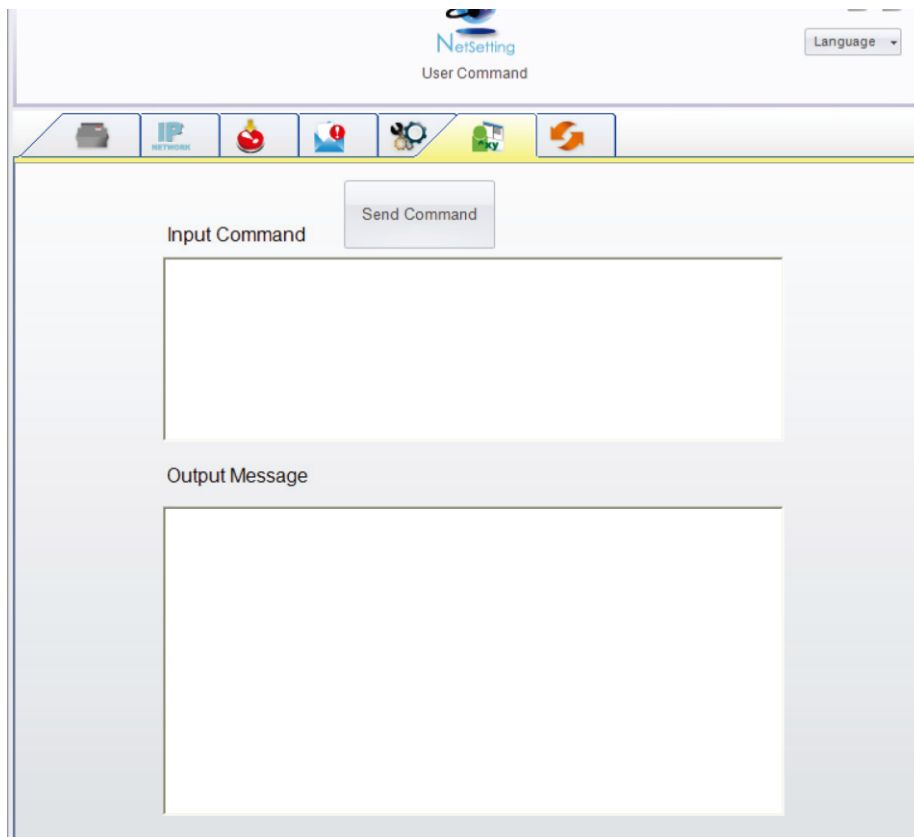
At the bottom of the window are two buttons: 'Set' and 'ReGet'.

You can press "Set" button to apply the settings and "ReGet" button to refresh the setting values.

User Command

The "User Command" tab provides a communication interface for operator to control the printer. Input printer commands in "Input Command" window and press "Send Command" button, the commands will be sent to the printer.

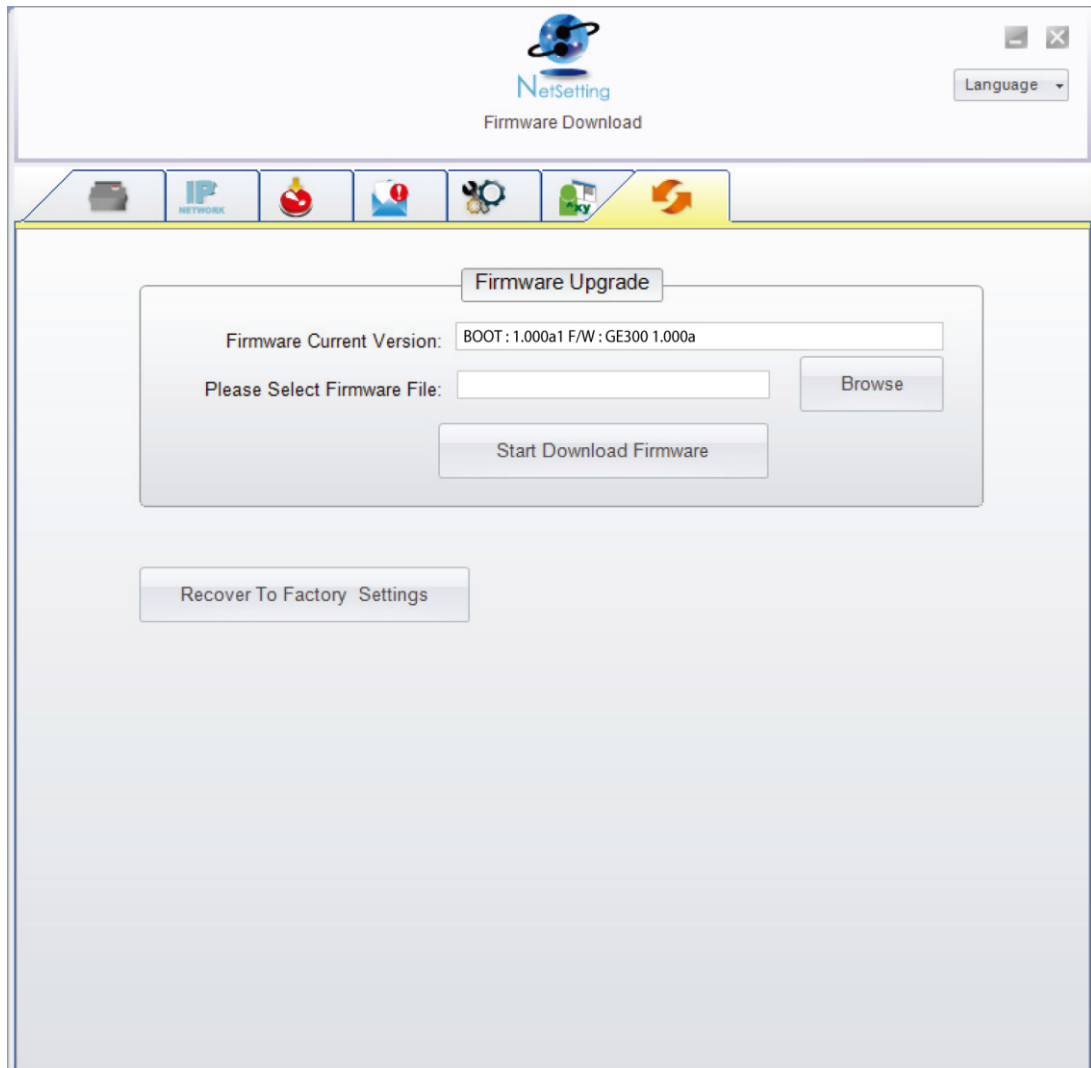
For some commands that will return response message, the message will be displayed in "Output Message" window.



You can press "Send Command" button to send printer commands via Ethernet port and control the printer remotely.

Firmware Download

On “Firmware Download” tab, the current version of printer firmware will be showed on the screen. If you need to update the printer firmware, just specify the file location of firmware file and press “Start Download Firmware” button. The printer firmware then can be updated remotely.



The screenshot shows a web browser window titled "NetSetting Firmware Download". The window has a header with the NetSetting logo and a "Language" dropdown menu. Below the header is a navigation bar with several icons: a printer, a network icon, a red warning icon, a gear icon, a green checkmark icon, and a yellow refresh icon. The main content area is titled "Firmware Upgrade" and contains the following elements:

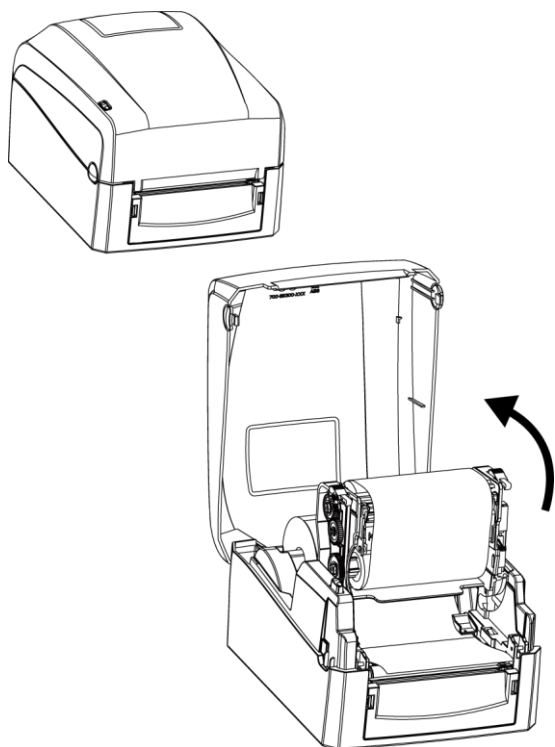
- A text field labeled "Firmware Current Version:" with the value "BOOT : 1.000a1 F/W : GE300 1.000a".
- A text field labeled "Please Select Firmware File:" with a "Browse" button next to it.
- A "Start Download Firmware" button.
- A "Recover To Factory Settings" button located below the main form.

In addition to the firmware update, you can press “Recover To Factory Settings” button to restore the printer configurations back to factory default.

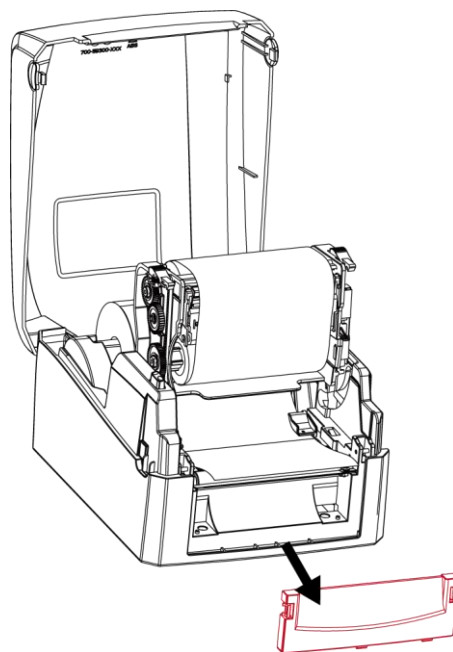
5 Accessories

5.1 Install the Cutter

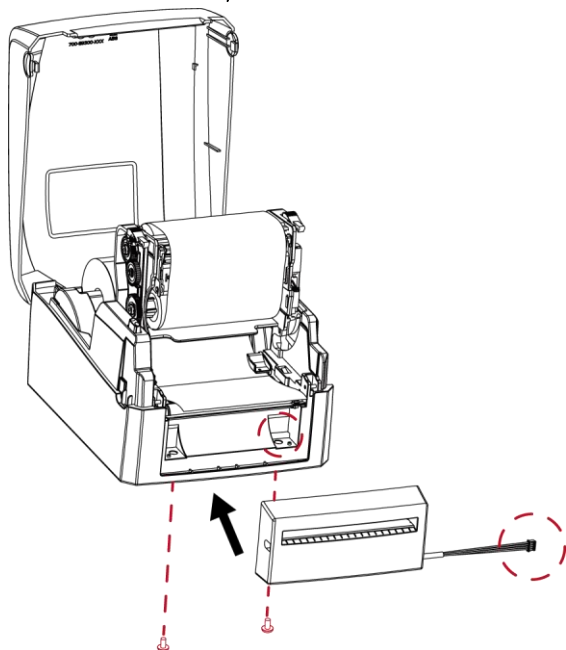
Step 1. Open the top cover and TPH



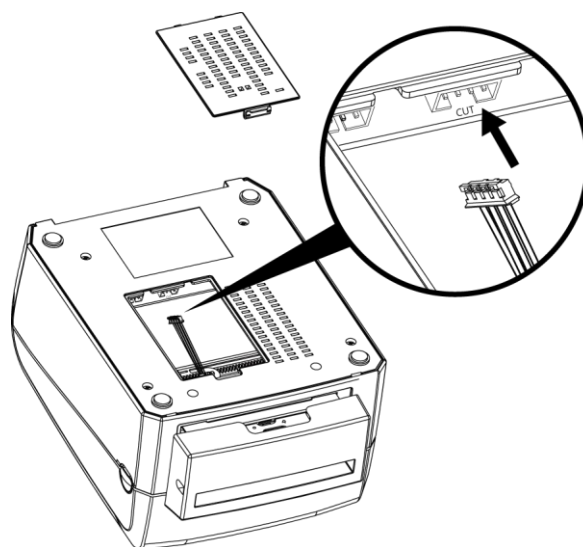
Step 2. Disassemble the front panel.



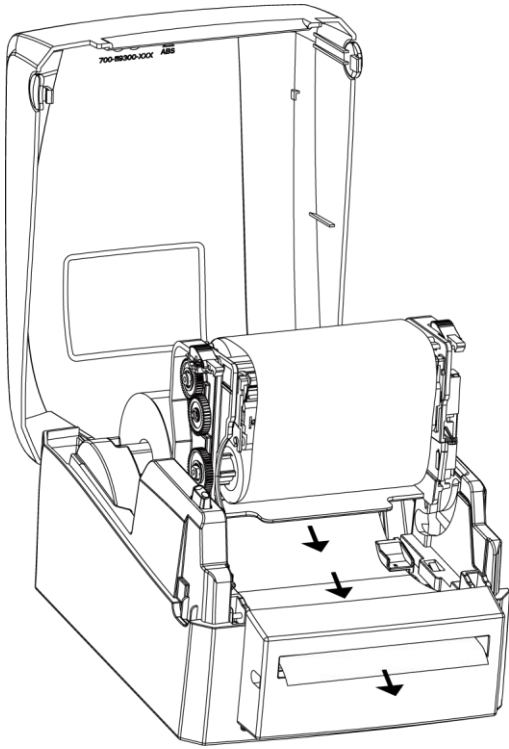
Step 3. Place the connector into the hole (as indicated by the circle) and secure the cutter in location.



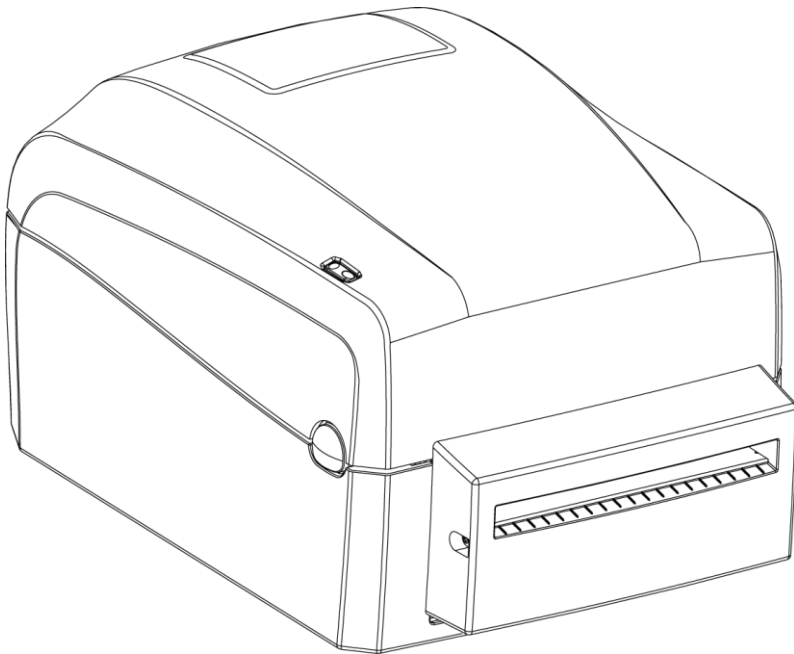
Step 4. Take off the bottom cover and connect the cable to main board and put on the bottom cover.



Step 5. Pull out the label and pass through the cutter.

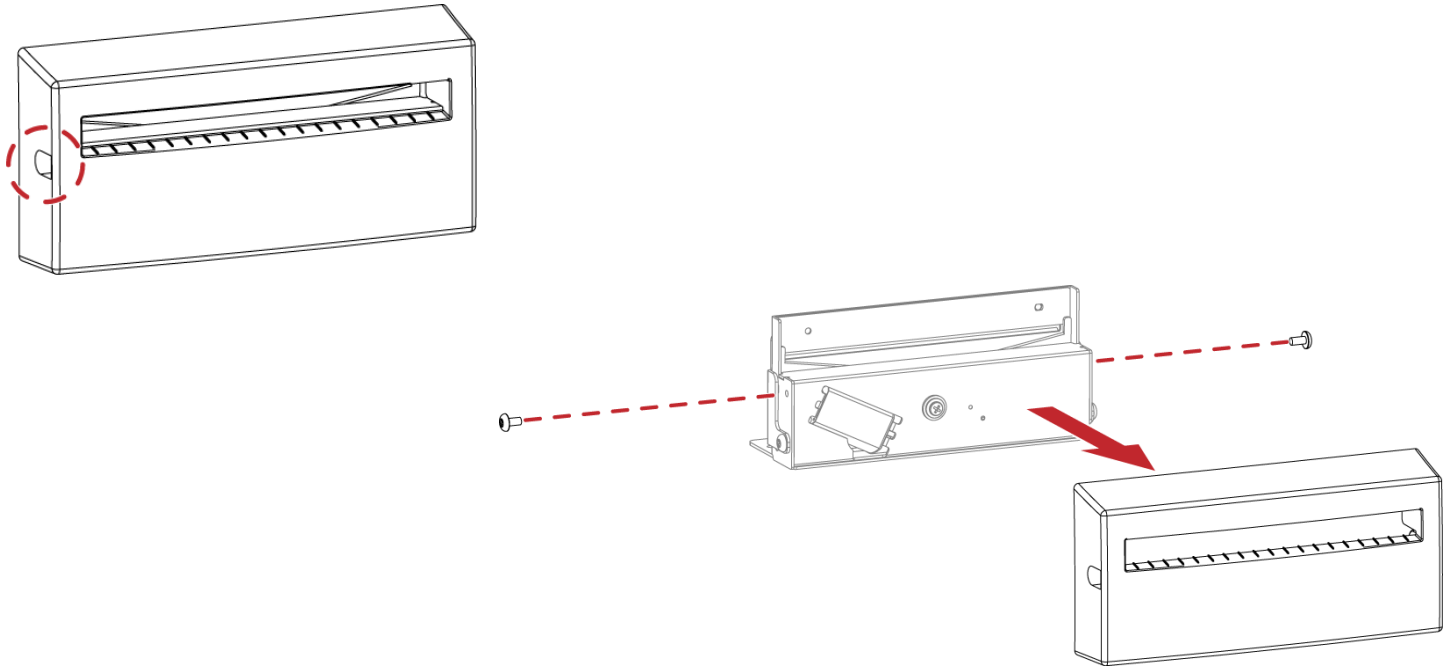


Step 6. Close the top cover.

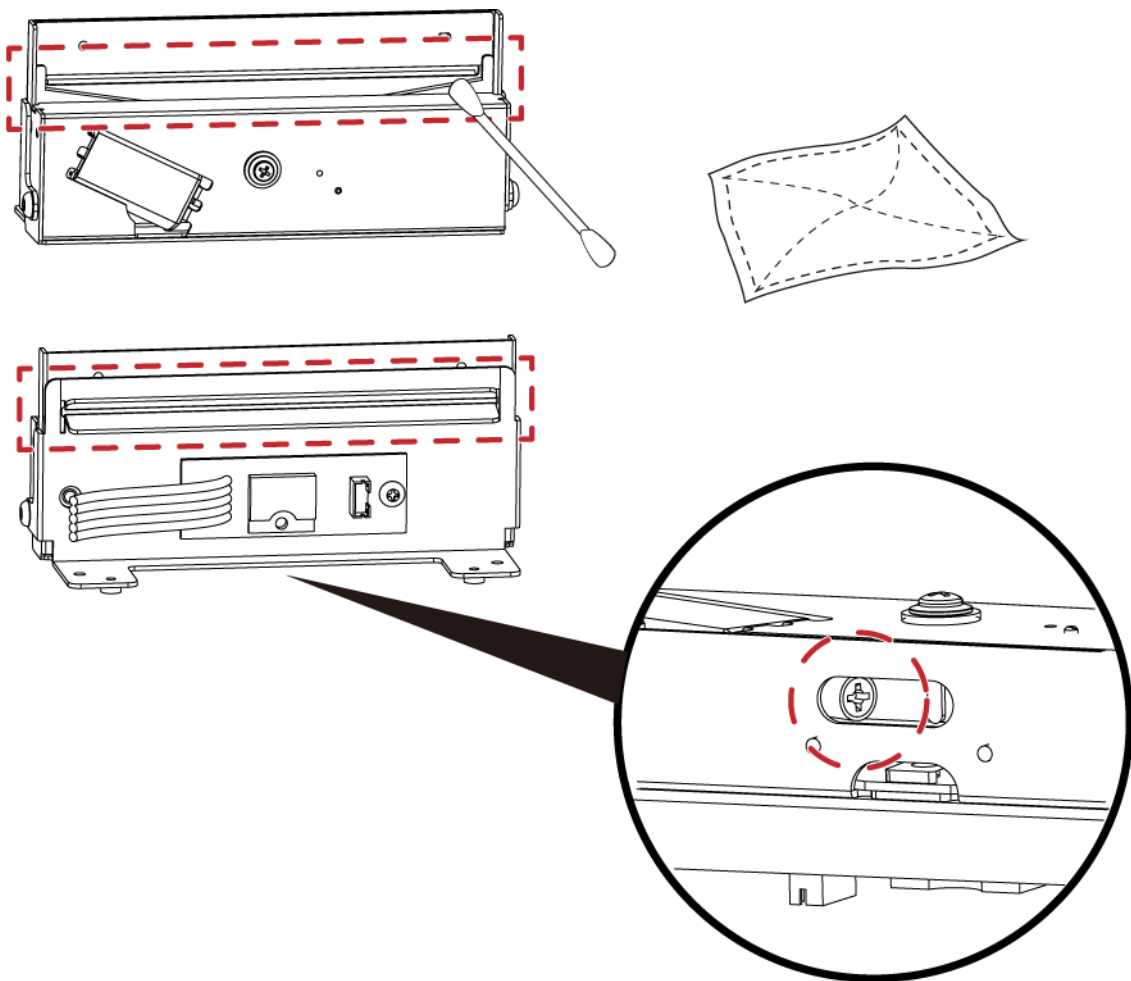


5.2 Cleaning Method

1. Remove the screws and cover.



2. Wipe with a cotton swab or a dry lint-free cloth (you can use a cross screwdriver to adjust the position of the cutter)



6 Maintenance And Adjustment

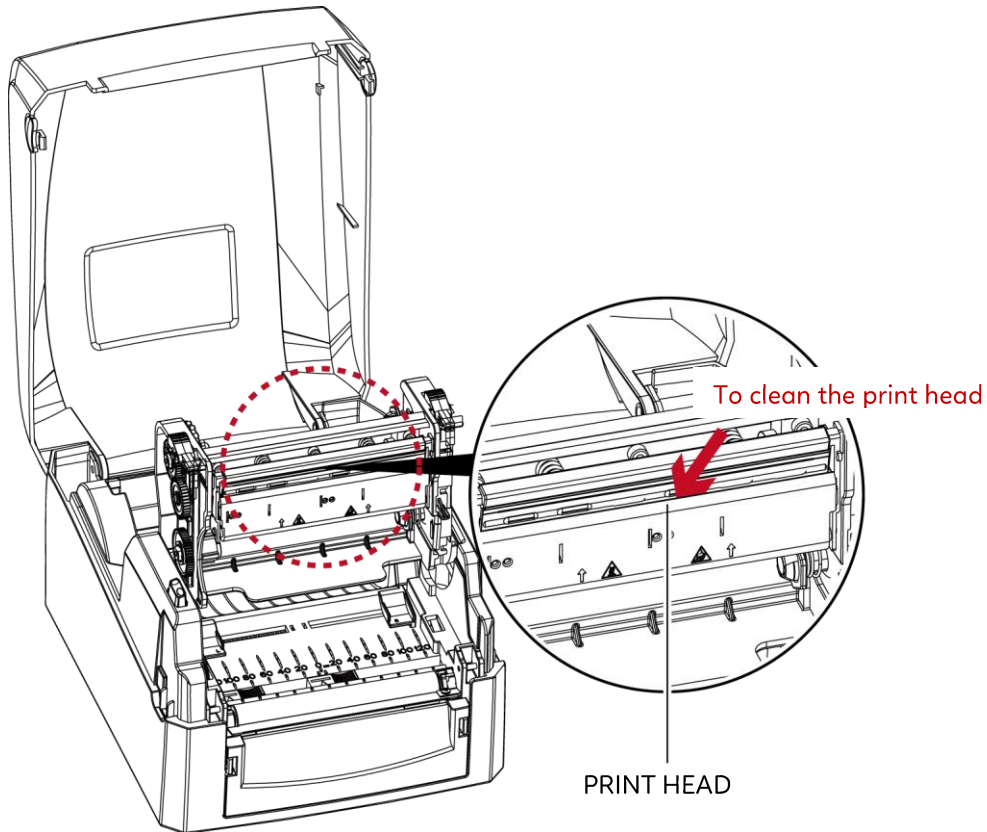
6.1 Cleaning The Print Head

Dirt on the print head or ribbon, or glue residue from the label stock may result in inadequate print quality. The printer cover must therefore always be closed during printing. Keeping dirt and dust away from the paper or labels ensures a good print quality and a longer lifespan of the print head.

Cleaning Steps

Here is how you clean the print head.

1. Switch off the printer.
2. Open the printer cover.
3. Release the printing mechanism and lift it.
4. Remove the ribbon.
5. To remove any label residue or other dirt from the print head (see red arrow), please use a soft lint-free cloth dipped in alcohol.



Notice

* The print head should be cleaned once a week.

* Please make sure that there are no metal fragments or other hard particles on the soft cloth used to clean the print head.

6.2 Troubleshooting

Problem	Solution
The printer is switched on but the LED does not light up.	<ul style="list-style-type: none">◆ Check the power supply. Please see the Section 2.6
The LED lights up red and printing is interrupted.	<ul style="list-style-type: none">◆ Check the software settings (driver settings) or command codes.◆ Look for the error alert in the table in Section 3.2. Error Alerts.◆ Check whether the print mechanism is closed correctly. Please see the Section 3.2
The label stock passes through the printer but no image is printed.	<ul style="list-style-type: none">◆ Please make sure that the label stock is loaded the right way up and that it is suitable material.◆ Choose the correct printer driver.◆ Choose the correct label stock and a suitable printing mode.
The label stock jams during printing.	<ul style="list-style-type: none">◆ Clear the paper jam. Remove any label material left on the thermal print head and clean the print head using a soft lint-free cloth dipped in alcohol. Please see the Section 6.1
There is no printed image on some parts of the label.	<ul style="list-style-type: none">◆ Check whether any label material or ribbon is stuck to the thermal print head.◆ Check for errors in the application software.◆ Check whether the starting position has been set incorrectly.◆ Check the ribbon for wrinkles.
There is no printed image on part of the label or the image is blurred.	<ul style="list-style-type: none">◆ Check the thermal print head for dust or other dirt.◆ Use the internal “~T” command to check whether the thermal print head will carry out a complete print job.◆ Check the quality of the print medium.
The printed image is positioned incorrectly.	<ul style="list-style-type: none">◆ Check whether there is paper or dust covering the sensor.◆ Check whether the label stock is suitable. Contact your supplier.◆ Check the paper guide settings.
A label is missed out during printing.	<ul style="list-style-type: none">◆ Check the label height setting.◆ Check whether there is dust covering the sensor.◆ Run the auto-detection function. Please see the Section 3.3
The printed image is blurred.	<ul style="list-style-type: none">◆ Check the darkness setting.◆ Check the thermal print head for dust or dirt. Please see the Section 6.1◆ Check if the ribbon is suitable for label stock.

Notice

* If any problems occur that are not described here, please contact your dealer.

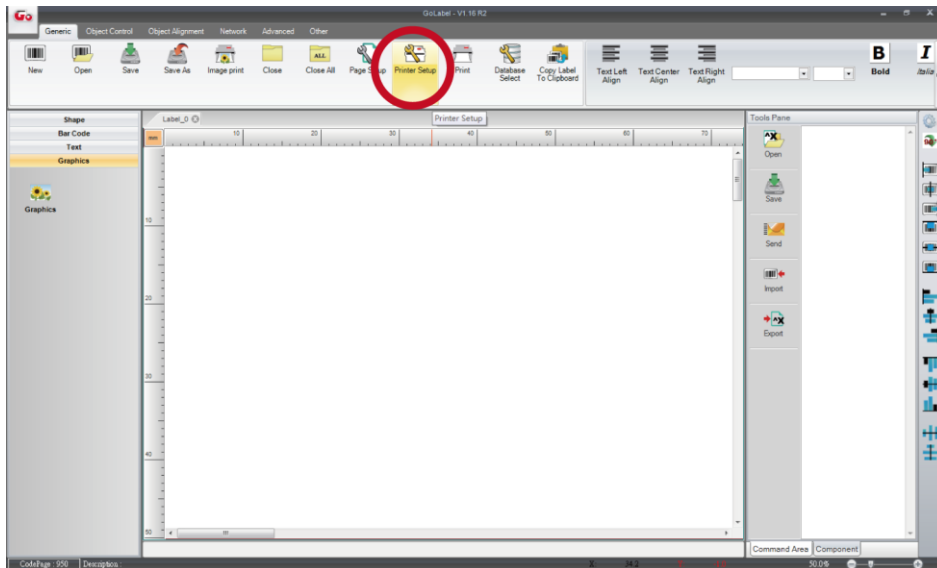
APPENDIX

Wi-Fi Printer Sever Module Installation(Quick Setting)

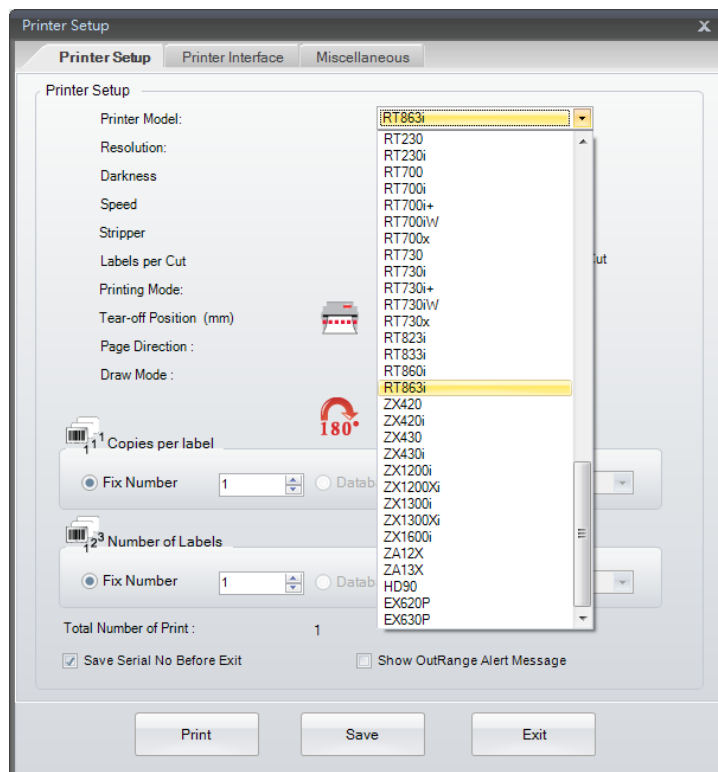


Set up wireless network through GoDEX WiFi tool *** Quick setting only supports GoLabel 1.15K and Arm 7 (FW1.100)
Or Arm 9 (FW2.00A) or higher version**

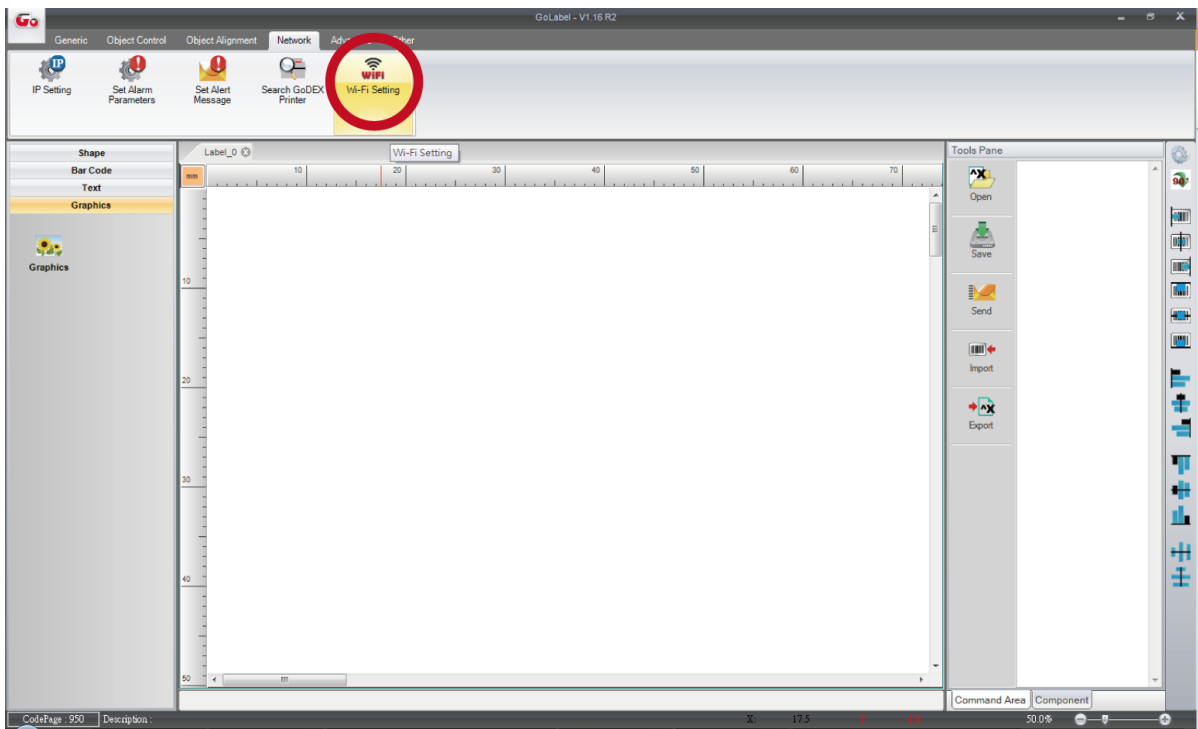
1. Turn on the printer,connect printer and computer by USB cable.
2. Start GoLabel.
3. “Generic”→”Printer Setup”.



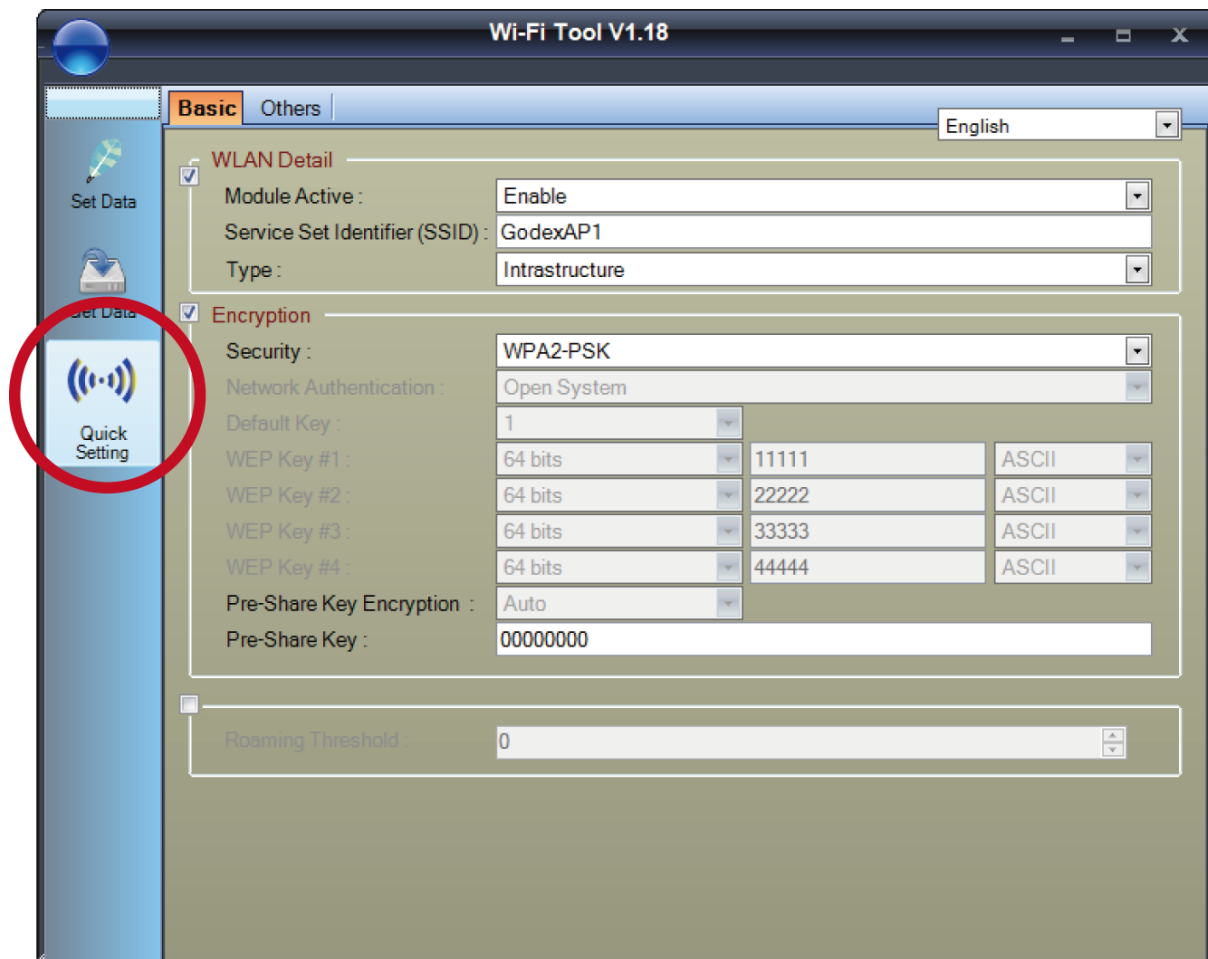
4. Select printer model(Wi-Fi supported models).



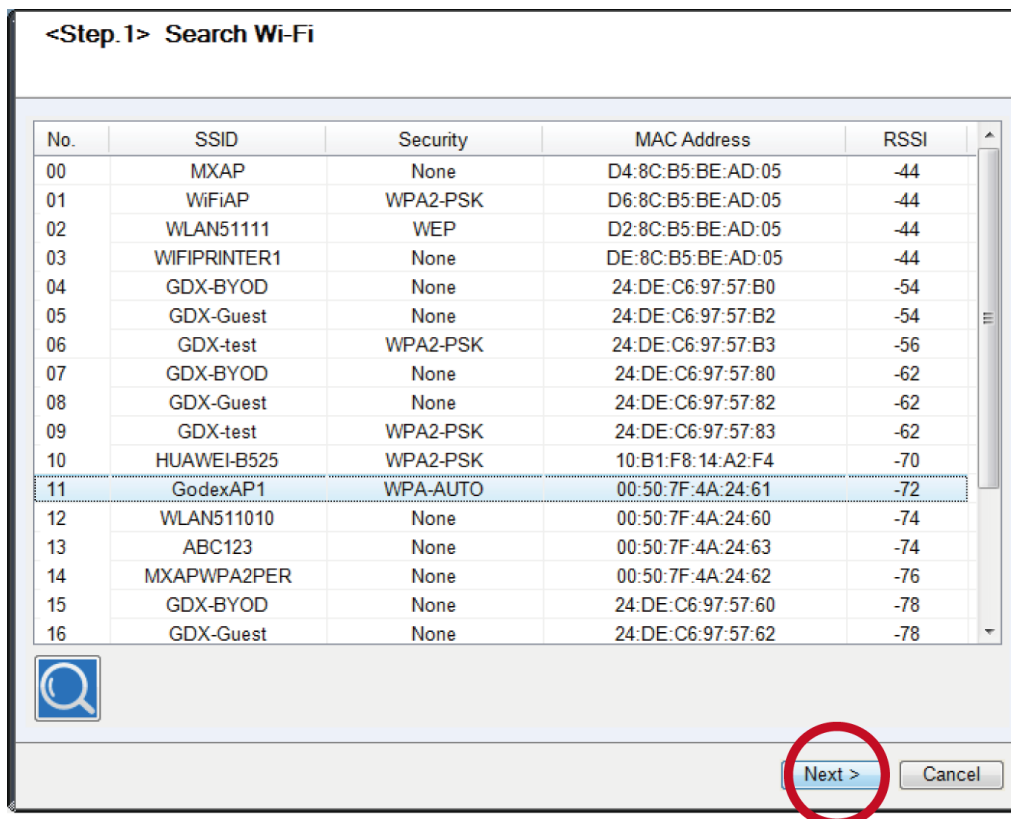
5. Click "WiFi Setting" icon.



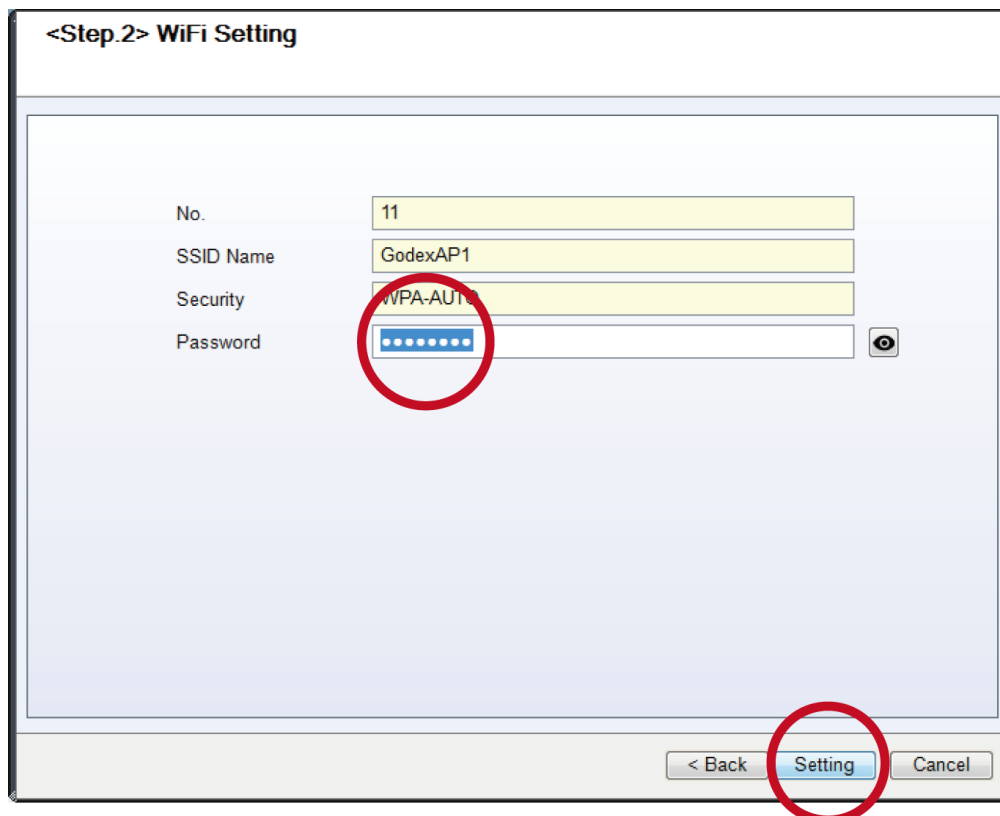
6. Click "Quick Setting" icon.



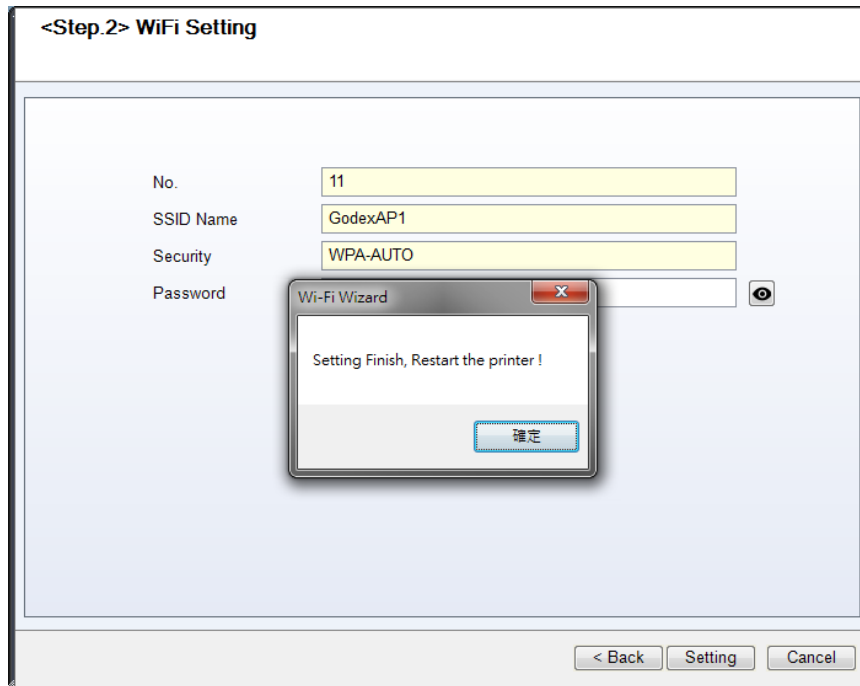
8. Select server and click **next** button.



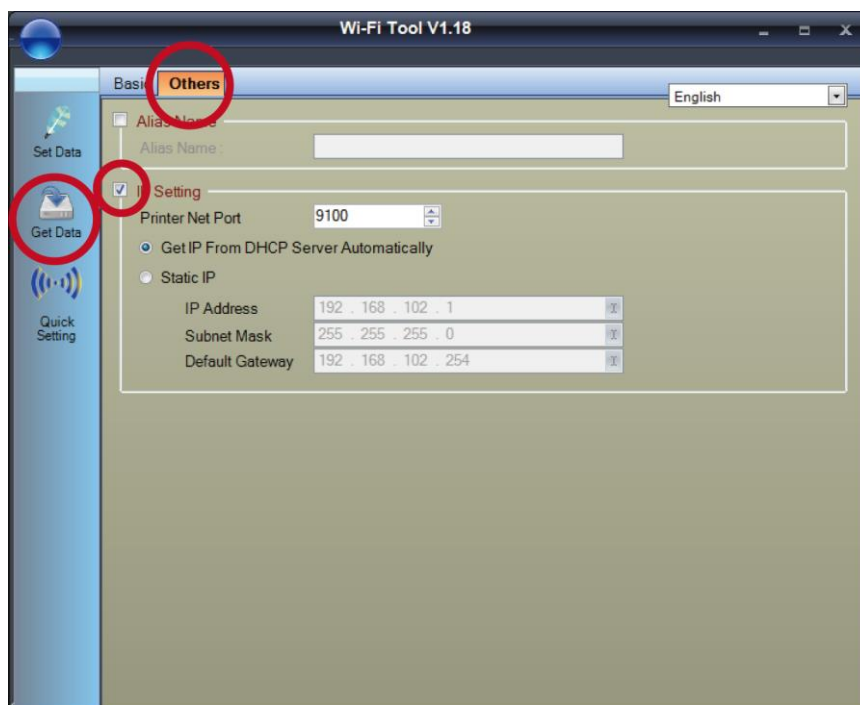
9. Enter the **password** set on the server side and click the "Setting" button.



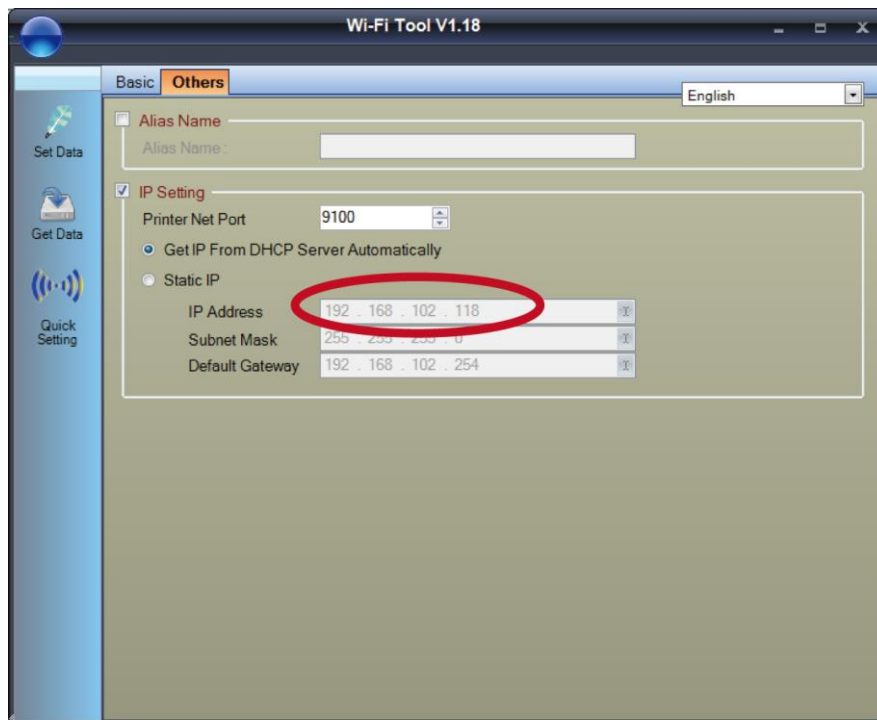
10. After the setting succeeded, a prompt will pop up and the printer will restart.



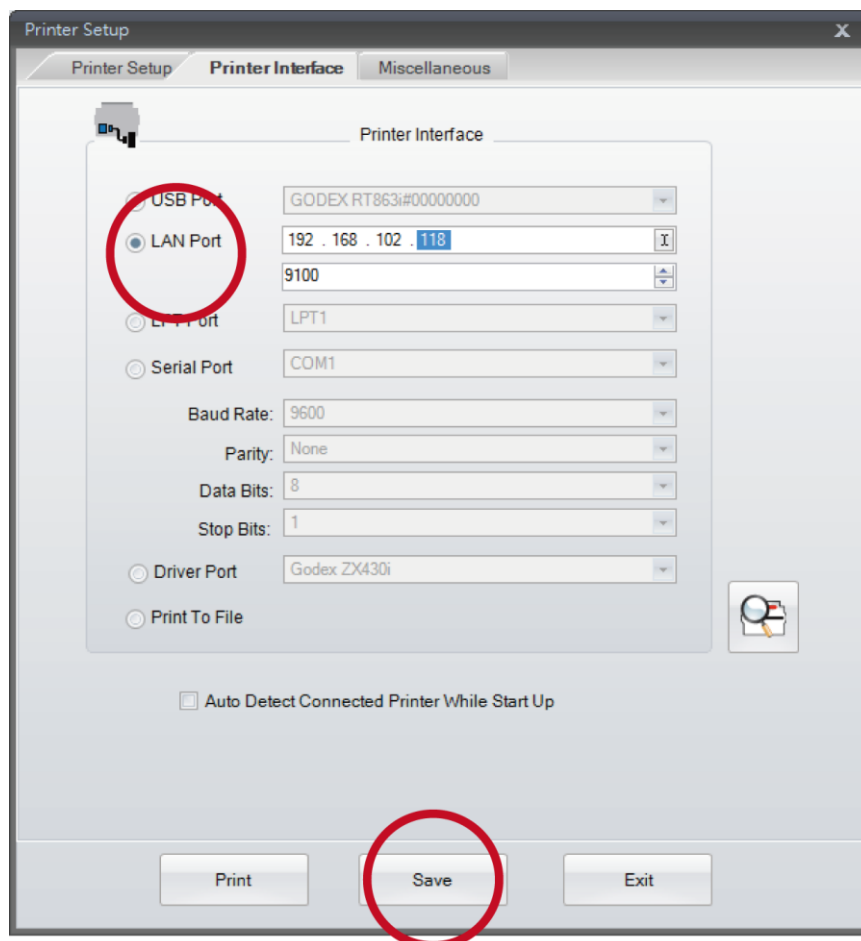
11. Select the "Other" tab and click the "Get Data" icon after selecting "IP Settings".



12. After remembering the IP address, open the "Printer Settings" window.



13. Select the "Printer Interface" tab, fill in the IP address and click "Save" to complete the setting.

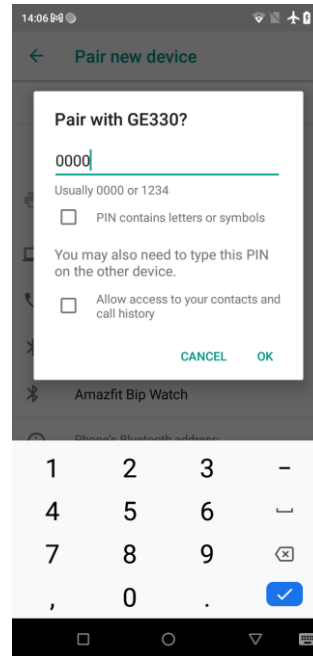
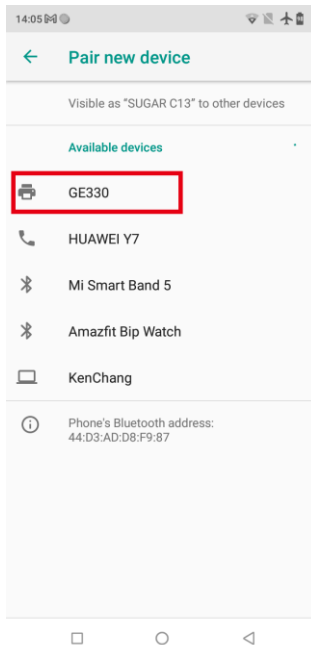


BT module setting instructions (Connect to mobile phone)

* Android applies to BT2.1 and 4.0
iOS only works with BT4.0

First pair the phone with the printer

1. Turn on the printer and wait for it to enter the "Ready" state.
2. Select the printer model you want to connect.
(The default pairing password is 0000)



3. Open the GoApp application.

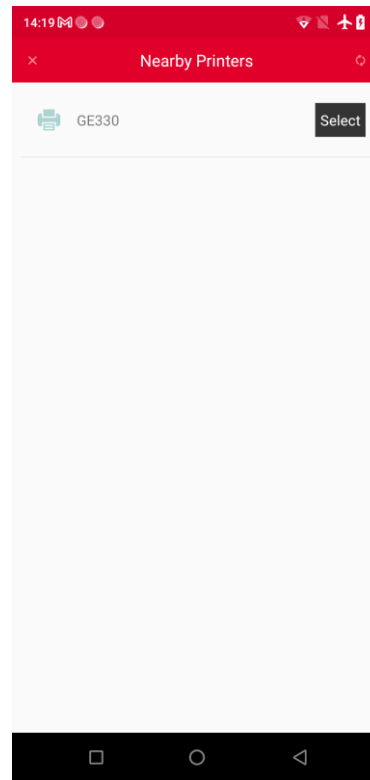
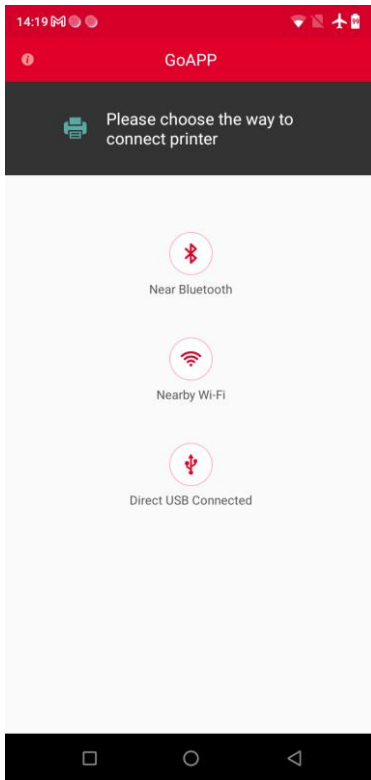


* When using the BT4.0 module, you need to use GoLabel to send the command "**^XSET,EXTERNCARDMODE,8**" to the printer first.

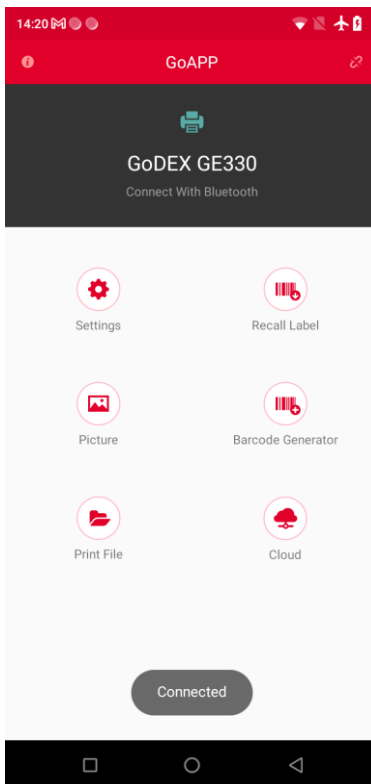
Select connection method and printer

4. For the connection method, choose “Near BT” button.

5. The printers which installed the BT module will be listed below, select the printer to connect.



6. If the connection is successful, the function window will be displayed.



* When using the BT4.0 module, you need to use GoLabel to send the command "**^XSET,EXTERNCARDMODE,8**" to the printer first.

Activate "BlueSoleil Space" and create the connection after inserting the BT device into the slot of PC Mainframe

Step 1. Insert the BT device into the slot of PC Mainframe

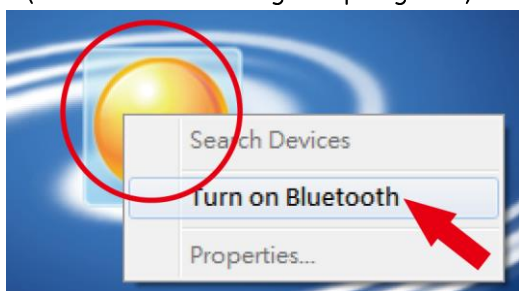


Step 2. Activate "BlueSoleil Space" (Each BT device has its compatible software)

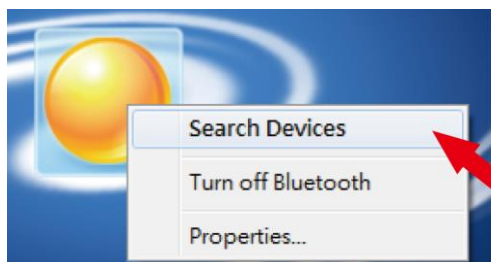


Step 3. Select the desired icon with the mouse and right-click on the mouse to select "Turn on BT"

(The BT device now lights up in green.)



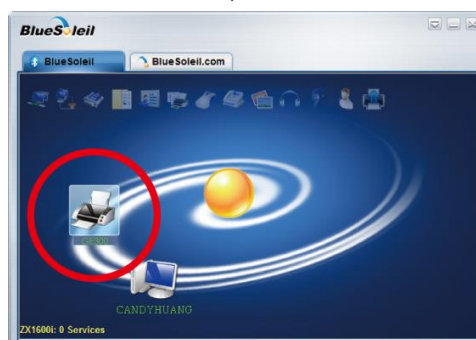
Step 4. Right-click on the mouse and select "Search Devices"



Step 5. The detected device will display "00:1A:FF:XX:XX:XX"

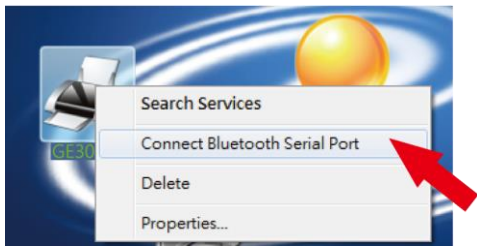


Step 6. Right-click on the mouse and select "Get Device Name" and the icon of the printer



* When using the BT4.0 module, you need to use GoLabel to send the command `^XSET,EXTERNCARDMODE,8` to the printer first.

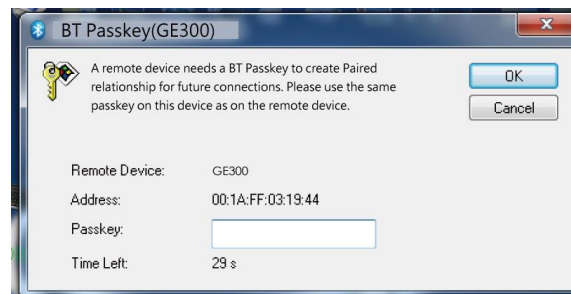
Step 7. Right-click on the mouse and select "Connect BT Serial Port"(see the left figure below), Then, the screen displays a message of establishing a connection, as the right figure below indicates.



Step 8. Input the BT code :0000 (default)

The icon of the printer lights up green when the connection between PC and the printer is successfully created.

Note : The BT code does not need to be inputted when the SSP mode of the BT setting in the printer and the PC is set "Activated".



The icon of the printer lights up green when the connection between PC and the printer is successfully created.



* When using the BT4.0 module, you need to use GoLabel to send the command "**^XSET,EXTERNCARDMODE,8**" to the printer first.

PRODUCT SPECIFICATIONS

Model	GE300	GE330
Print Method	Thermal Transfer/Direct Thermal	
Resolution	203dpi(8dots/mm)	300dpi(12dots/mm)
Print Speed	5 IPS (102mm/s)	4 IPS(76.2 mm/s)
Print Width	4.25"(108mm)	4.16"(105.7mm)
Print Length	Min. 0.16"(4mm); Max. 68"(1727mm)	Min. 0.16"(4 mm); Max. 30"(762mm)
Memory	Flash	8MB Flash(4MB for user storage)
	SDRAM	16MB SDRAM
Sensor Type	Fixed transmissive sensor	
	Adjustable reflective sensor (full range)	
Media	Types	Continuous form, gap labels, black mark sensing, and punched hole; label length set by auto sensing or programming
	Width	1"(25.4mm)Min.-4.64"(118mm)Max.
	Thickness	Left Alignment Printing Mechanism - Min. 1"(25.4 mm) — Max. 4.45"(113mm)
	Label Roll Diameter	0.003"(0.08mm)Min.-0.008"(0.20mm)Max.
	Core Diameter	Max. 5"(127mm)
Ribbon	Types	1", 1.5"(25.4mm, 38.1mm)
	Length	Wax, wax/resin, resin
	Width	360"(110m)
	Ribbon Roll Diameter	1.18"Min-4.33"(30mm-110mm)Max
	Core Diameter	1.57"(40mm)
Printer Language	EZPL, GEPL, GZPL, GDPL auto switch	
Software	Label Design Software	GoLabel (for EZPL only)
	Driver	Vista, Windows 7, Windows 8 & 8.1, Windows 10, Windows Server 2008 R2, 2012, 2012 R2, 2016, 2019, MAC, Linux
	SDK	Win CE, .NET, Windows Vista, Windows 7, Windows 8 & 8.1, Windows 10, Android, Mac, iOS
Resident Fonts	Bitmap Fonts	6, 8, 10, 12, 14, 18, 24, 30, 16X26 and OCR A&B
	TTF Fonts	Bitmap fonts 0°, 90°, 180°, 270° rotatable, single characters 0°, 90°, 180°, 270° rotatable
	Bitmap Fonts	Bitmap fonts 8 times expandable in horizontal and vertical directions
Download Fonts	Asian Fonts	TTF Fonts (Bold / Italic / Underline). 0°, 90°, 180°, 270° rotatable
	TTF Fonts	0°, 90°, 180°, 270° rotatable, single characters 0°, 90°, 180°, 270° rotatable
	TTF Fonts	6x16, 24x24. Traditional Chinese (BIG-5), Simplified Chinese(GB2312), Japanese (S-JIS), Korean (KS-X1001)
Barcodes	1-D Bar codes	0°, 90°, 180°, 270° rotatable and 8 times expandable in horizontal and vertical directions
	2-D Bar codes	TTF Fonts (Bold / Italic / Underline). 0°, 90°, 180°, 270° rotatable
	Code Pages	China Postal Code, Codabar, Code 11, Code 32, Code 39, Code 93, Code 128 (subset A, B, C), EAN-8/EAN-13 (with 2 & 5 digits extension), EAN 128, FIM, German Post Code, GS1 DataBar, HIBC, Industrial 2 of 5, Interleaved 2-of-5 (I 2 of 5), Interleaved 2-of-5 with Shipping Bearer Bars, ISBT-128, ITF 14, Japanese Postnet, Logmars, MSI, Postnet, Plessey, Planet 11 & 13 digit, RPS 128, Standard 2 of 5, Telepen, Matrix 2 of 5, UPC-A/UPC-E (with 2 or 5 digit extension), UCC/EAN-128 K-Mart and Random Weight
Graphics	Aztec code, Code 49, Codablock F, Datamatrix code, MaxiCode, Micro PDF417, Micro QR code, PDF417, QR code, TLC 39, GS1 Composite	
Interfaces	Codepage 437, 850, 851, 852, 855, 857, 860, 861, 862, 863, 865, 866, 869, 737 Windows 1250, 1251, 1252, 1253, 1254, 1255, 1257 Unicode UTF8 \ UTF16BE \ UTF16LE	
Control Panel	Resident graphic file types are BMP and PCX, other graphic formats are downloadable from the software	
Environment	Power	Serial port: RS-232(DB-9)
	Operation Temperature	USB2.0
	Storage Temperature	Ethernet
Humidity	Operation	One Tri-color LED: Power(Green, Orange and Red)
	Storage	Function Key: FEED
Agency Approvals	Operation	Calibration Button
	Storage	Auto Switching 100-240VAC, 50-60Hz
	Storage	41°F to 104°F (5°C to 40°C)
Dimension	Length	-4°F to 122°F (-20°C to 50°C)
	Height	30-85% \ non-condensing
	Width	10-90% \ non-condensing
Options	Weight	CE(EMC) \ FCC Class A \ CB \ UL \ cUL \ CCC
	Weight	(The safety certification marks may be different depending on sales regions.)
	Weight	9.88"(251mm)
Options	Weight	6.46"(164mm)
	Weight	7.87"(200mm)
	Weight	1.8Kg ,excluding consumables
Options	Weight	Cutter(Dealer Install)
	Weight	External label unwind stand
	Weight	External label rewinder
	Weight	BT
	Weight	Wireless LAN (IEEE 802.11 b/g/n)
Options	Weight	Real Time Clock (RTC) (Dealer Install)
	Weight	Left Alignment Printing Mechanism(Factory Install)

Notice

* Specifications are subject to change without notice. All company and/or product names are trademarks and/or registered trademarks of their respective owners.

* Minimum print height specification compliance can be dependent on non-standard material variables such as label type, thickness, spacing, liner construction, etc. Godex is pleased to test non-standard materials for minimum height printing capability.

* The cutter is an optional accessory. If the cutter is installed, it is not suitable for children to approach.

Pinout Description

- USB

Connector Type : Type B				
Pin NO.	1	2	3	4
	VBUS	D-	D+	GND

- Serial Port

Default settings: Baud rate 9600, no parity, 8 data bits, 1 stop bit, XON/XOFF protocol and RTS/CTS

RS232 Housing(9-pin to 9-pin)				
DB9 Socket			DB9 Plug	
-	1	1	+5V, max 500mA	
RXD	2	2	TXD	
TXD	3	3	RXD	
DTR	4	4	N/C	
GND	5	5	GND	
DSR	6	6	RTS	
RTS	7	7	CTS	
CTS	8	8	RTS	
RI	9	9	N/C	
Computer			Printer	

- Ethernet

PIN NO.	FUNCTION
1	Transmit Plus
2	Transmit Minus
3	Receive Plus
4	Bias of Transmission
5	NC
6	Receive Minus
7	Bias of Receiver
8	N/C

Notice

* The total current to the serial port may not exceed 500mA.