



GTL-100  
Tube Labeling Printer  
User Manual



User Manual :GTL-100  
Version :A  
Issue Date :2019.08.16  
P/N :920-017821-00

## Contents

1. Tube Labeling Printer .....	1
1.1 Box content .....	1
1.2 Overview .....	2
2 Loading the ribbon .....	4
3. Tube Labeling Printer Instructions .....	5
3.1 Use your computer to operate the printer .....	5
4. Troubleshooting and Maintenance .....	7
4-1 Troubleshooting — Paper jam .....	7
4-2 Maintenance .....	8
Appendix .....	9
Specifications .....	9

## **FCC COMPLIANCE STATEMENT FOR AMERICAN USERS**

Federal Communication Commission Interference Statement

This equipment has been tested and found to comply with the limits for a Class B digital device, pursuant to Part 15 **Subpart B** of the FCC Rules. These limits are designed to provide reasonable protection against harmful interference in a residential installation. This equipment generates, uses and can radiate radio frequency energy and, if not installed and used in accordance with the instructions, may cause harmful interference to radio communications. However, there is no guarantee that interference will not occur in a particular installation. If this equipment does cause harmful interference to radio or television reception, which can be determined by turning the equipment off and on, the user is encouraged to try to correct the interference by one of the following measures:

- Reorient or relocate the receiving antenna.
- Increase the separation between the equipment and receiver.
- Connect the equipment into an outlet on a circuit different from that to which the receiver is connected.
- Consult the dealer or an experienced radio/TV technician for help.

This device complies with Part 15 **Subpart B** of the FCC Rules. Operation is subject to the following two conditions:

(1) This device may not cause harmful interference, and (2) this device must accept any interference received, including interference that may cause undesired operation.

FCC Caution: Any changes or modifications not expressly approved by the party responsible for compliance could void the user's authority to operate this equipment.

### **TO WHICH THIS DECLARATION RELATES**

#### **IS IN CONFORMITY WITH THE FOLLOWING STANDARDS**

EN 55032: 2015+AC: 2016 Class B      AS/NZS CISPR 32:2015 Class B  
CISPR 32:2015+c1:2016 Class B      EN IEC 61000-3-2: 2019 Class A  
EN 61000-3-3: 2013      EN 55024:2010+A1:2015  
FCC Part 15,Subpart B  
ANSI C63.4-2014  
ICES-003 Issue 6,January 2016(Updated April 2019)

## SAFETY INSTRUCTIONS

Please read the following instructions carefully.

1. Keep the equipment away from humidity.
2. Before you connect the equipment to the power outlet, please check the voltage of the power source.
3. Make sure the printer is off before plugging the power connector into the power jack.
4. It is recommended that you connect the printer to a surge protector to prevent possible transient overvoltage damage.
5. Be careful not to get liquid on the equipment to avoid electrical shock.
6. For safety and warranty reasons, ONLY qualified service personnel should open the equipment.
7. Do not repair or adjust energized equipment under any circumstances.

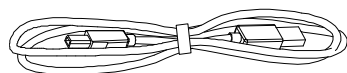
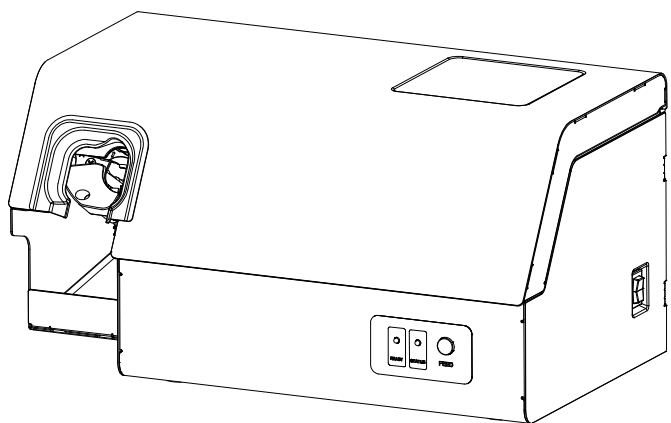
### Caution

- \* Only use with designated power supply adapter model.
- \*\* Changes or modifications not expressly approved by the party responsible for compliance could void the user's authority to operate the equipment.

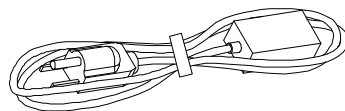
Specifications are subject to change without notice.

# 1. Tube Labeling Printer

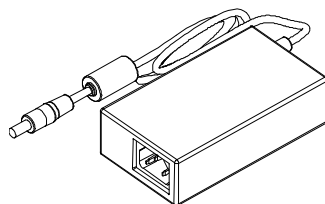
## 1.1 Box content



USB Cable



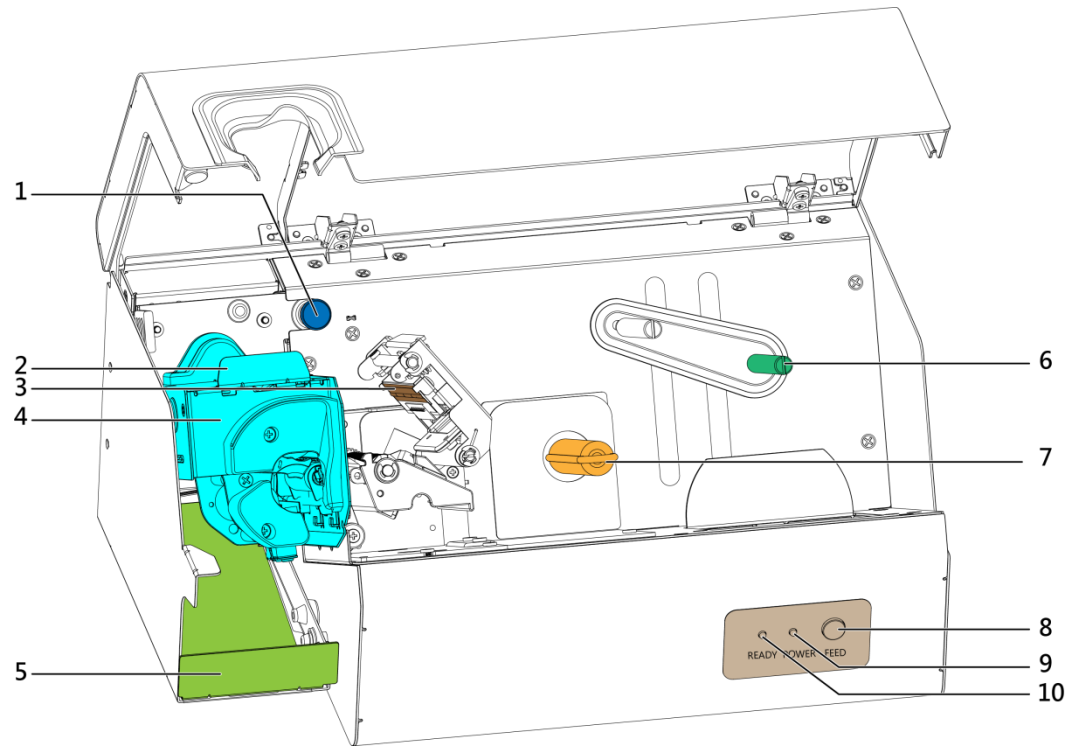
Power Adapter  
Power Cord



AC Adapter

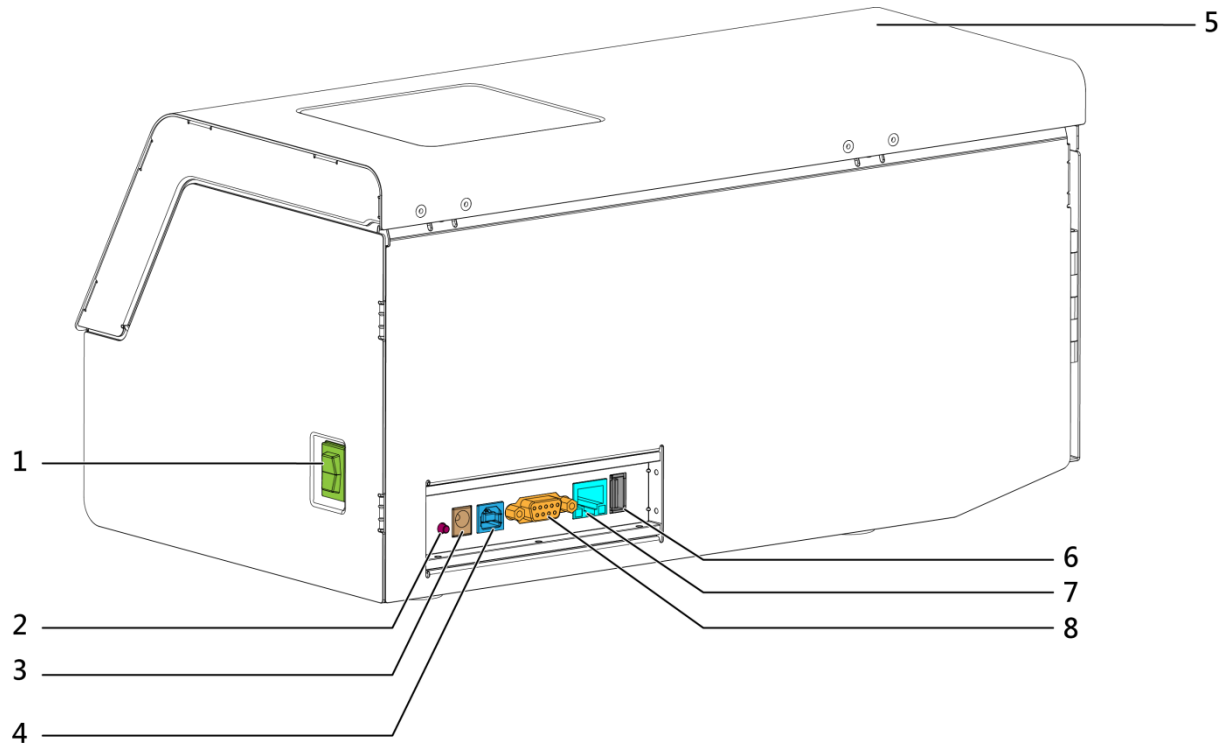
## 1.2 Overview

Front view



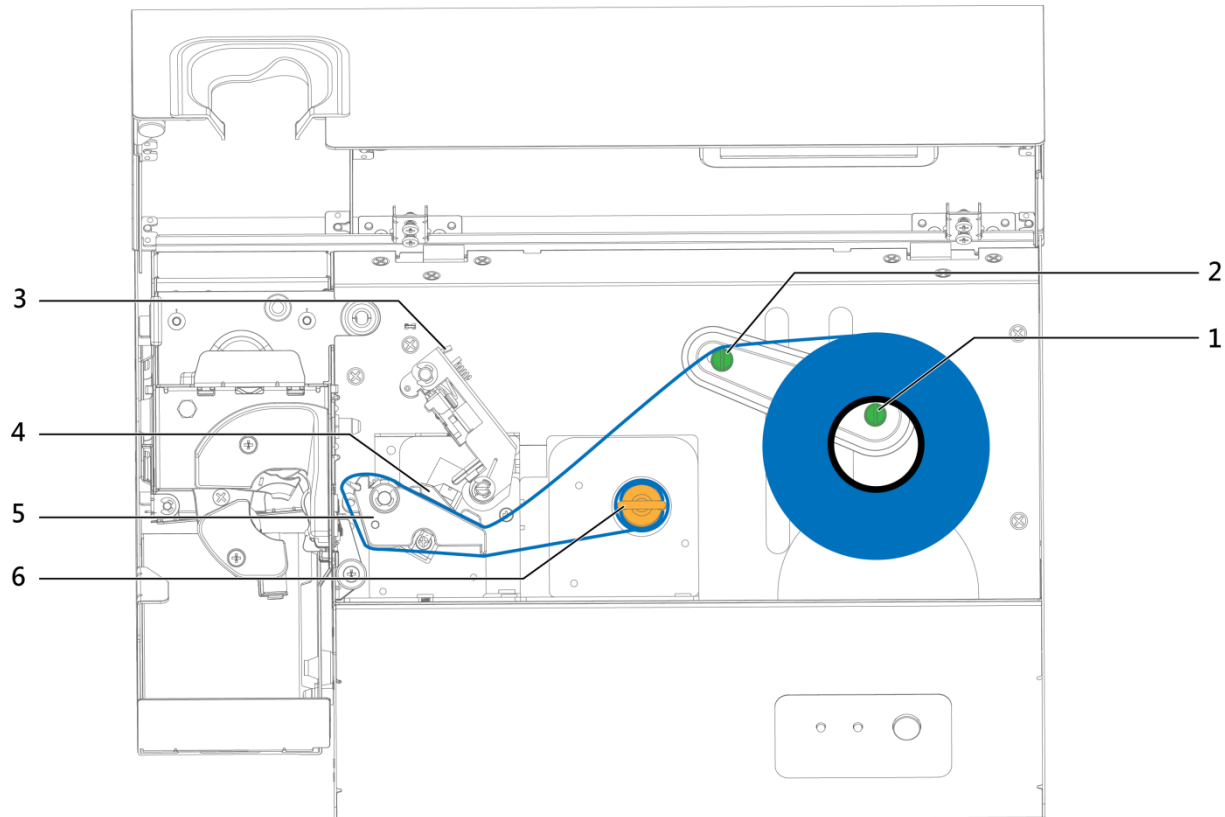
No.	Part name	No.	Part name
1	Spring-Loaded Plungers	6	Media supply hub
2	Top cover	7	Rewriter
3	TPH	8	Feed key
4	Labeling system	9	Power Indicator
5	Tube tray	10	Data transfer indicator

Real View



No.	Part Name	No.	Part Name
1	Power switch	5	Top cover
2	Calibration button	6	USB Host
3	Power slot	7	Ethernet port
4	USB port	8	RS-232 Serial port

## 2 Loading the ribbon

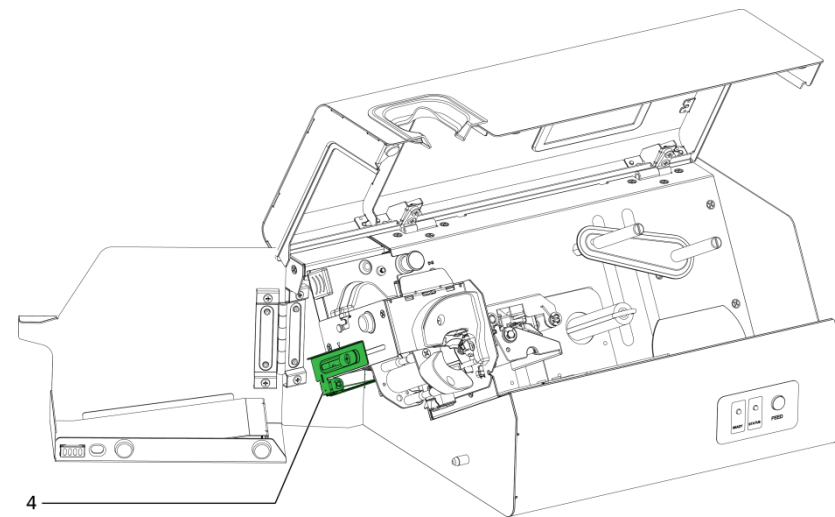
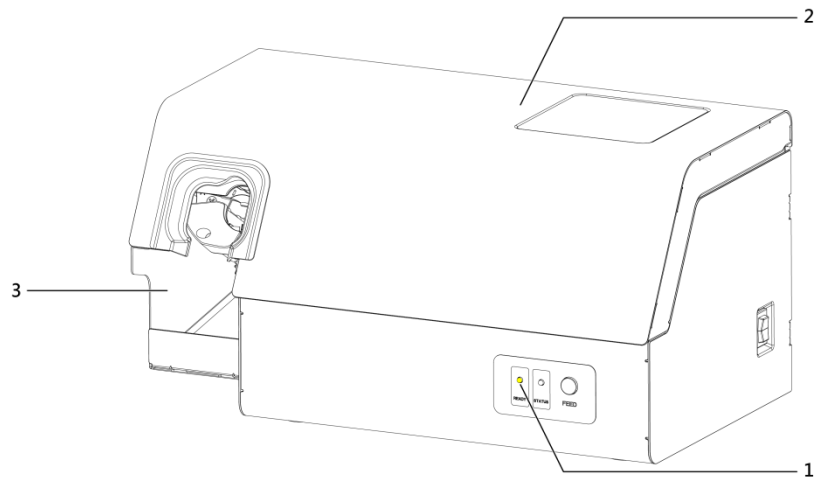


1. Place the media into the media supply hub (1) and Pass through above the shaft (2)
2. Press the fix hook and open the tph.
3. After passing the label paper through the label adjustment seat (4) and pass through the platen holder (5), the label is clamped to the rewinder (6) by the U-shaped clip.

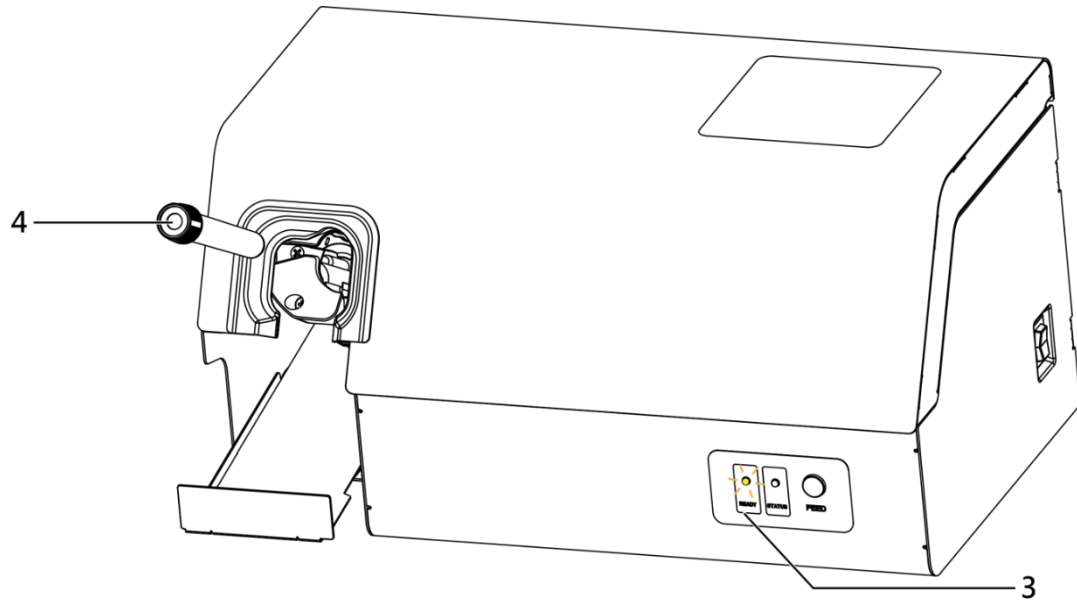


### 3. Tube Labeling Printer Instructions

#### 3.1 Use your computer to operate the printer



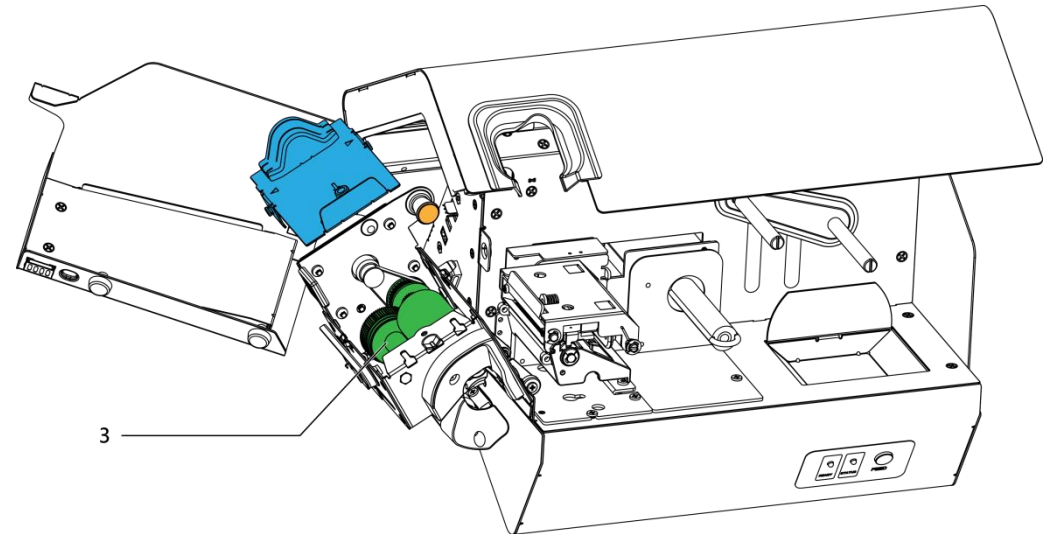
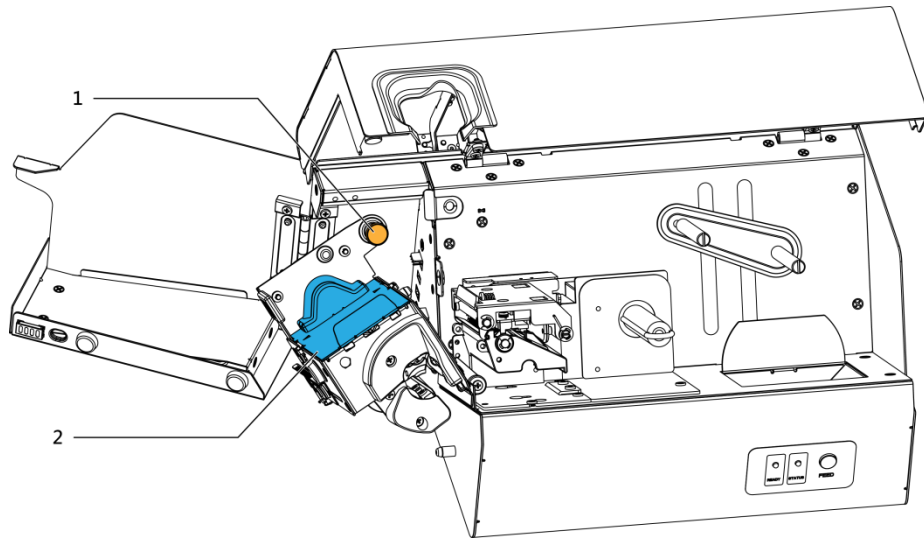
1. After the Tube labeling printer is turned on, the labeling printer is automatically positioned. After the preparation is completed, the Data transfer indicator (1) will light up in yellow.
2. Open the top cover(2) and left cover(3).
3. Use the tube length adjuster (4) to make the appropriate length adjustment to match the tube labeling position.
4. Scan the barcode on the personal Information using the scanner ◦



5. After pressing the print key, the data transfer indicator will start to flash (3). Please put the corresponding test tube(4) in the order shown to complete the labeling.

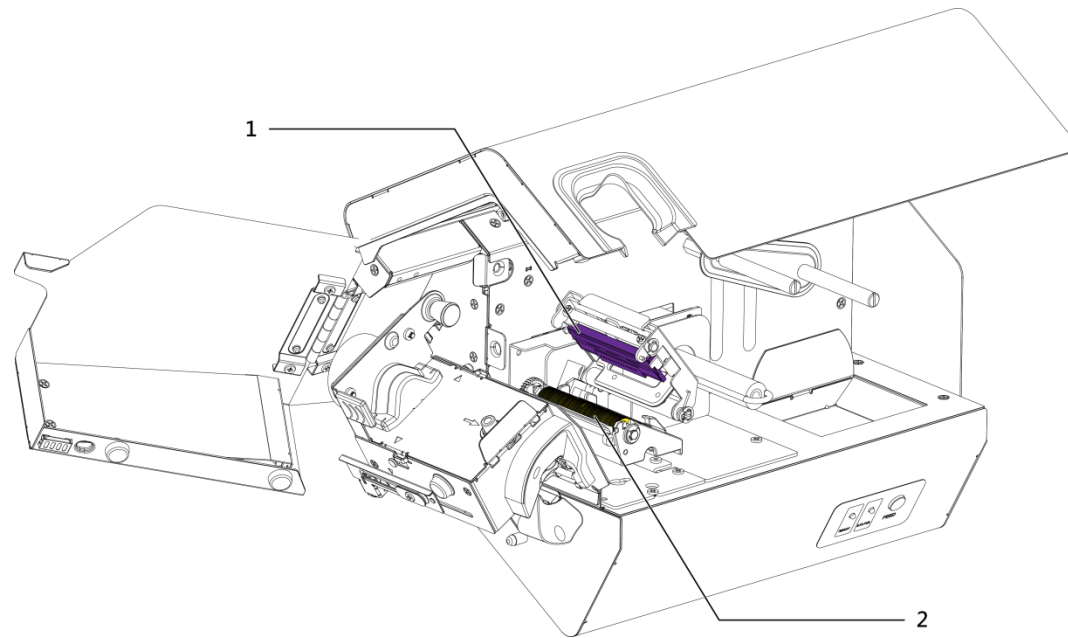
## 4. Troubleshooting and Maintenance

### 4-1 Troubleshooting – Paper jam



1. When you encounter a paper jam, open the top cover and the left side cover, pull up the labeling printer fixing clip (1), and lower the labeling system to the left.
2. After pulling forward, lift up to remove the labeling cover
3. Clear the label inside the labeling system(3).
4. Install the labeling printer as described above.

## 4-2 Maintenance



1. Wipe the print head (1) and the platen (2) with a dry cloth.
2. It is recommended to clean at least once every two weeks.

# Appendix

## Specifications

Model		GTL-100
Print method	Direct thermal	
Resolution	203 dpi (8 dots/mm)	
Tubes	Diameter 13-16mm, Length 75-100mm Can use Plastic or Glass tubes	
Throughput	3 sec per a labeling	
Label size	50(W) x 30(H)mm	
Media <small>(For thermal paper only)</small>	Label Roll Diameter	Max. 4.33" (110mm)
	Core Diameter	2" (50.8mm)
Liner Rewinding Diameter	66mm	
Memory	Flash	128 MB Flash (60 MB for user storage)
	SDRAM	32 MB
Printer Language	EZPL, GEPL, GZPL, GDPL auto switch	
Barcodes	1D - China Postal Code, Codabar, Code 11, Code 32, Code 39, Code 93, Code 128 (subset A, B, C), EAN-8/EAN-13 (with 2 & 5 digits extension), EAN 128, FIM, German Post Code, GS1 DataBar, HIBC, Industrial 2 of 5 , Interleaved 2-of-5 (1 2 of 5), Interleaved 2-of-5 with Shipping Bearer Bars, ISBT-128, ITF 14, Japanese Postnet, Logmars, MSI, Postnet, Plessey, Planet 11 & 13 digit, RPS 128, Standard 2 of 5, Telepen, Matrix 2 of 5, UPC-A/UPC-E (with 2 or 5 digit extension), UCC/EAN-128 K-Mart and Random Weight	
	2D - Aztec code, Code 49, Codablock F , Datamatrix code, MaxiCode, Micro PDF417, Micro QR code, PDF417, QR code, TLC 39, GS1 Composite	
Interface	USB2.0, RS-232, Ethernet 10/100 Base-T, USB Host	
Control Panel	Calibration button, Power on / off button, Control key: FEED	
Power source	AC100-240V 50/60Hz	
Power consumption	25W(Max)	
Dimensions	330(W) x 196(D) x 172(H)mm	
Weight	5.3 Kgs	

Agency Approvals	CE, FCC Class B, BSMI, CB, UL, cUL
Options	Bluetooth Carry Bag

\*Appearance and specifications are subject to change without prior notice for improvements.