



RT860i/RT863i BARCODE PRINTER USER MANUAL



CONTENTS

1	Barcode Printer	001
1.1	Box Content	001
1.2	Getting to Know Your Printer	002
2	Printer Setup	006
2.1	Open the Printer	006
2.2	Loading the Ribbon	007
2.3	Loading the Label Roll Module	012
2.4	Connecting the Printer to the Host Computer	014
2.5	Wizard CD Standard Installation	016
2.6	Wizard CD Other Choice Installation	019
3	Printer Setting and Control	022
3.1	Operation Panel	022
3.2	LCD Touch Panel Introduction	023
3.3	LCD Interface Function	028
3.4	Label Calibration and Self Test	033
3.5	Error Alerts	035
3.6	USB Host	037
3.7	Dump Mode Begin	039
4	NetSetting for Ethernet	040
4.1	Installing the NetSetting Software	040
4.2	The Interface of NetSetting	041
5	Accessories	049
5.1	Preparation Steps	049
5.2	Installing the Label Dispenser	051
5.3	Installing the Cutter	057
6	Maintenance and Adjustment	061
6.1	Cleaning the Print Head	061
6.2	Troubleshooting	062
	Appendix	
	Product Specifications	
	Interface	
	File Manipulation When Using USB Stick	

FCC COMPLIANCE STATEMENT FOR AMERICAN USERS

This equipment has been tested and found to comply with the limits for a CLASS A digital device, pursuant to Part 15 of the FCC Rules. These limits are designed to provide reasonable protection against harmful interference when the equipment is operated in a commercial environment. This equipment generates, uses, and can radiate radio frequency energy and, if not installed and used in accordance with the instructions, may cause harmful interference to radio communications. Operation of this equipment in a residential area is likely to cause harmful interference in which case the user will be required to correct the interference at own expense.

EMS AND EMI COMPLIANCE STATEMENT FOR EUROPEAN USERS

This equipment has been tested and passed with the requirements relating to electromagnetic compatibility, based on the standards EN55022:2010/AC2011 Class A, EN61000-3-2:2006/A1:2009/A2:2009, EN 61000-3-3:2008 and EN55024:2010, IEC 61000-4-2:2008 series. The equipment also tested and passed in accordance with the European Standard EN55022 for the both Radiated and Conducted emissions limits.

RT860i TO WHICH THIS DECLARATION RELATES IS IN CONFORMITY WITH THE FOLLOWING STANDARDS

IEC 60950-1:2005(2nd Edition)+Am 1:2009, CB9254-2008 (Class A) ; GB17625. 1-2003; GB4943.1-2011, EN55022:2010/AC2011 Class A, EN61000-3-2:2006/A1:2009/A2:2009, EN 61000-3-3:2008 and EN55024:2010, IEC 61000-4-2:2008 series, UL 60950-1, 2nd Edition, 2011-12-19, CSA C22.2 No. 60950-1-07, 2nd Edition, 2011-12, CFR 47, part 15 subpart B

WARNING

This is a Class A product. In a domestic environment this product may cause radio interference in which case the user may be required to take adequate measures.

警语:

此为A级产品，在生活环境中，该产品可能会造成无线电干扰，在这种情况下，可能需要用户对干扰采取切实可行的措施。

SAFETY INSTRUCTIONS

Please read the following instructions carefully.

1. Keep the equipment away from humidity.
2. Before you connect the equipment to the power outlet, please check the voltage of the power source.
3. Make sure the printer is off before plugging the power connector into the power jack.
4. It is recommended that you connect the printer to a surge protector to prevent possible transient overvoltage damage.
5. Be careful not to get liquid on the equipment to avoid electrical shock.
6. For safety and warranty reasons, ONLY qualified service personnel should open the equipment.
7. Do not repair or adjust energized equipment under any circumstances.

Caution

- * Danger of explosion if battery is incorrectly replaced. Replace only with the equivalent type recommended by the manufacturer.
- ** Dispose of used batteries according to the manufacturer's instructions.
- *** Only use with designated power supply adapter model.
- **** Changes or modifications not expressly approved by the party responsible for compliance could void the user's authority to operate the equipment.

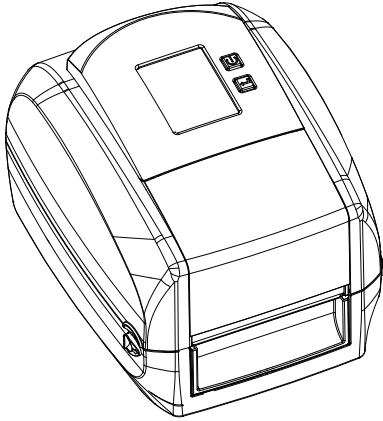
Specifications are subject to change without notice.

1 Barcode Printer

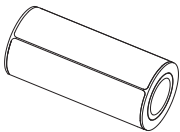
1.1 Box Content

Please check that all of the following items are included with your printer.

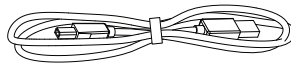
- Barcode Printer



- Label Stock



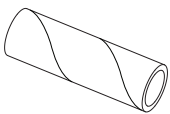
- USB Cable



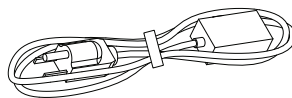
- Quick Guide



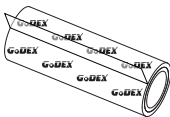
- Ribbon Module
Empty Ribbon Core



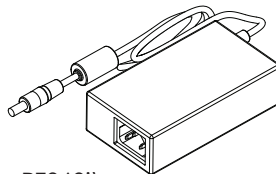
- Power Adapter
Power Cord



Ribbon



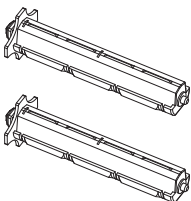
AC Adapter



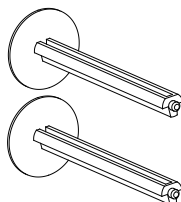
- CD
Including GoLabel software
and user's manual.



Ribbon Hubs(For RT863i)
Set of 2.



Ribbon Hubs(For RT860i)
Set of 2.

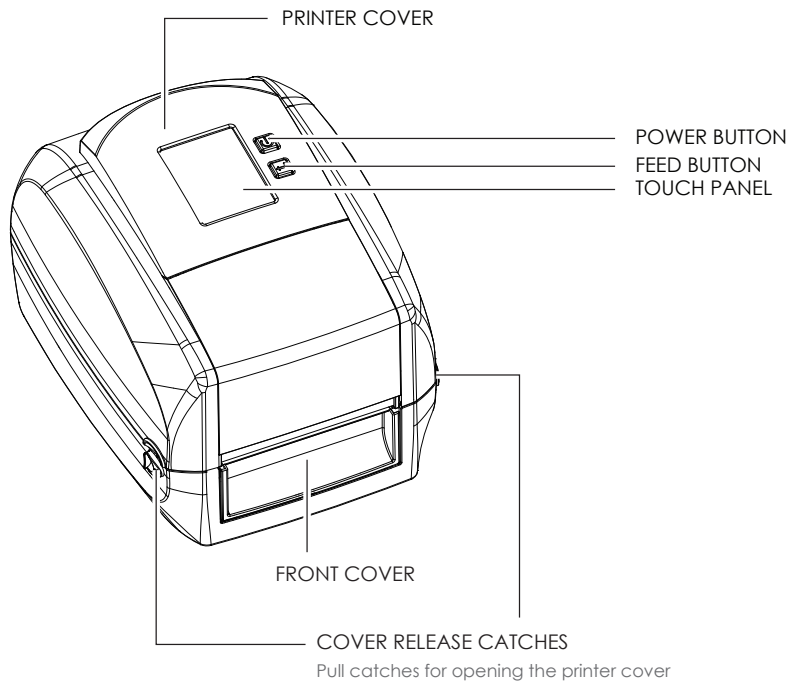


1 Barcode Printer

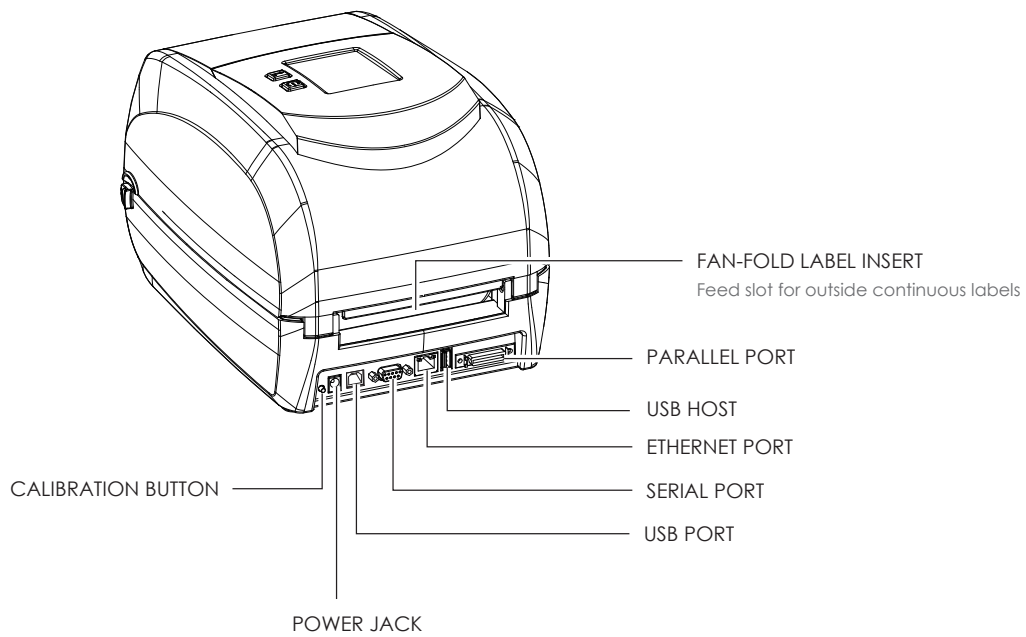
1.2 Getting to Know Your Printer

Device Overview

- Front View

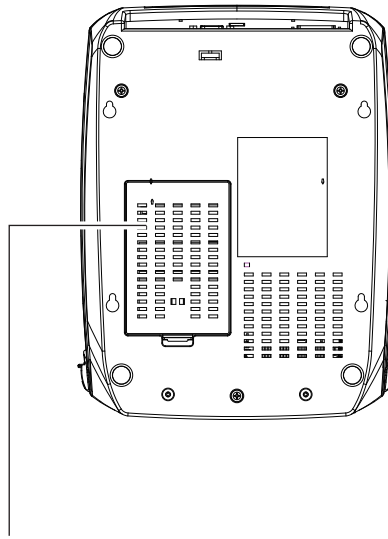


- Rear View



1 Barcode Printer

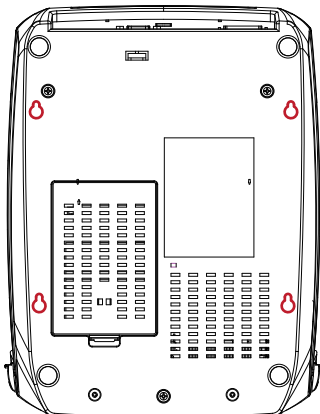
- Bottom View



COVER OF THE MODULE CONNECTION JACKS

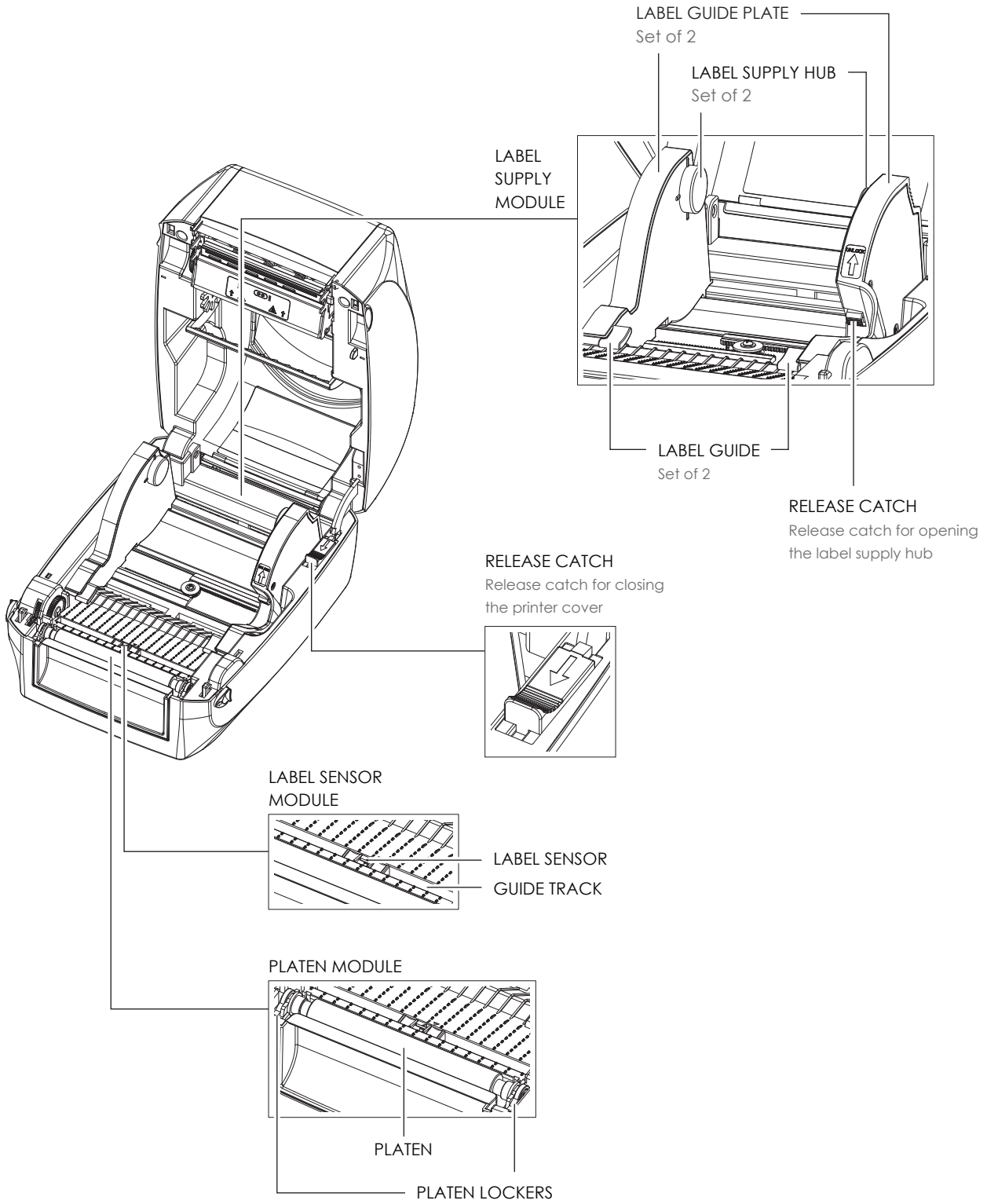
Note

- * Cut-outs are not intended for wall-mount use. Please make sure that the machine and personnel protective measures in case you need to use the wall-mount.



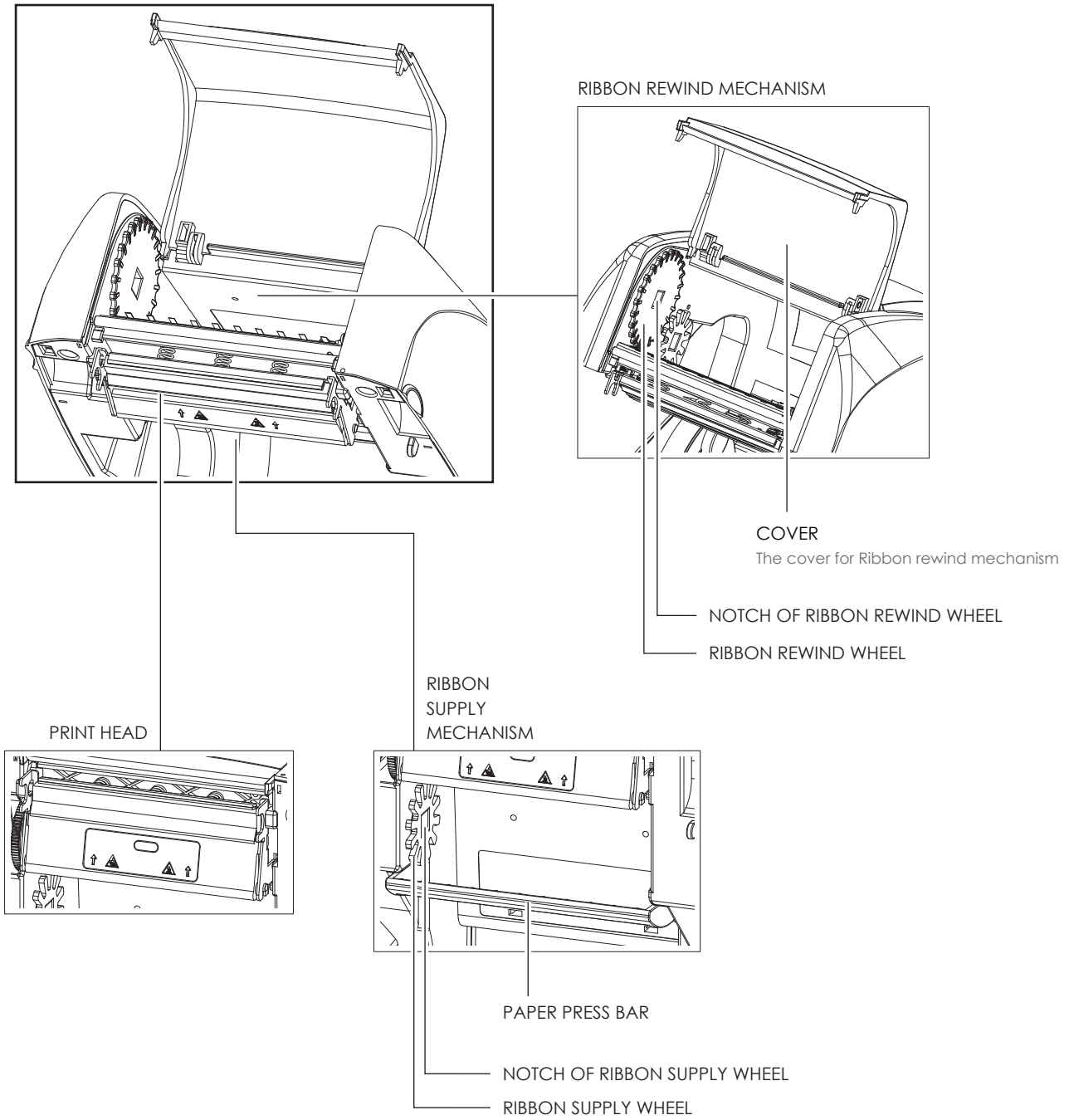
1 Barcode Printer

The Internal View of Printer



1 Barcode Printer

The Printing Mechanism

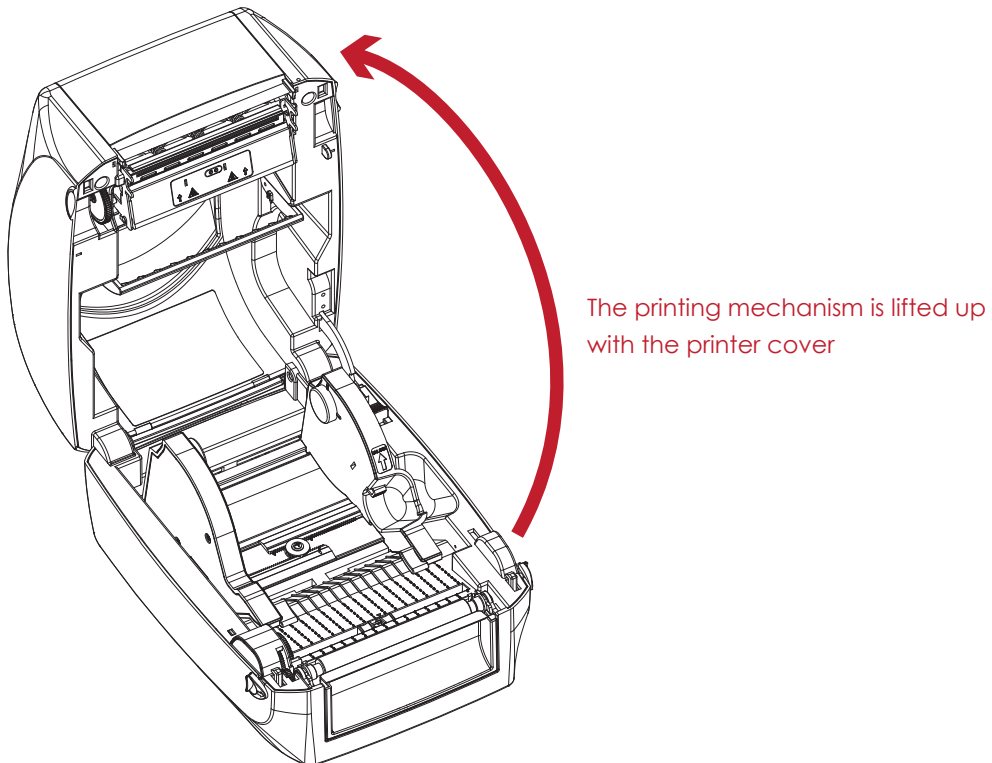
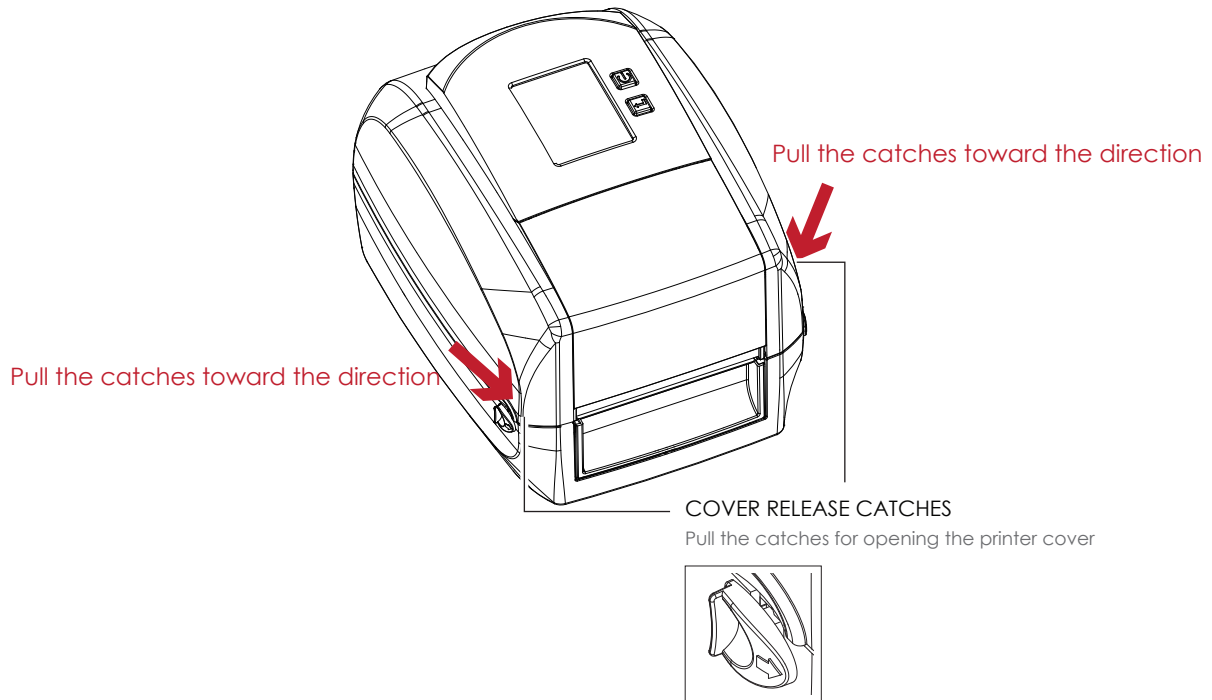


2 Printer Setup

2.1 Open the Printer

Open the Printer Cover and the Printing Mechanism

Place the printer on a flat surface. Open the printer cover by pulling the cover release catches on both sides of the printer and lift the printer cover.



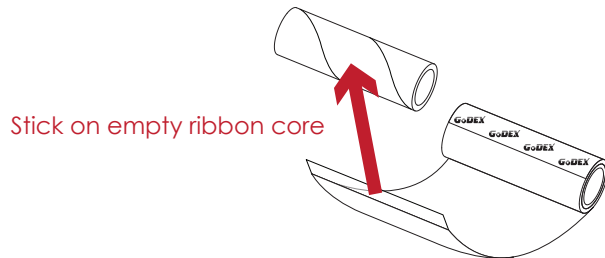
2 Printer Setup

2.2 Loading the Ribbon

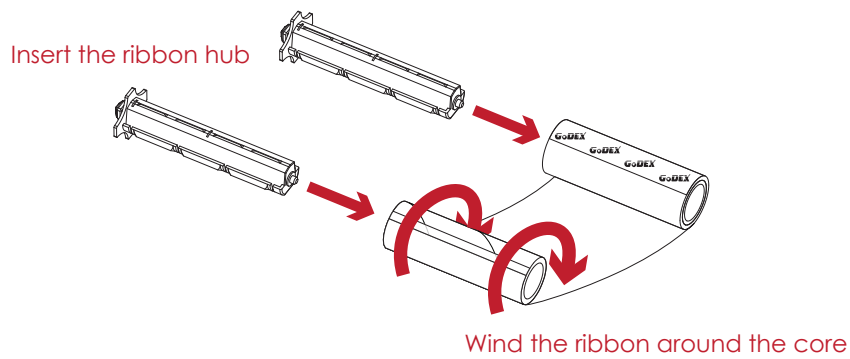
A New Ribbon Module Installation



1. Attach the ribbon to the empty ribbon core with the adhesive strip at the end of the ribbon.

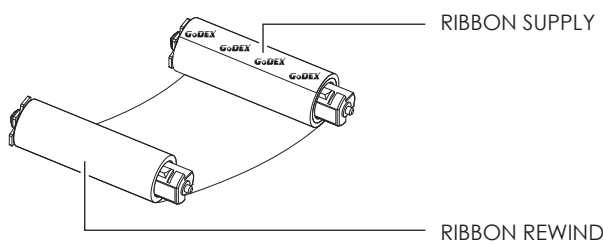


2. Insert the ribbon hub into empty ribbon core and new ribbon. Wind the ribbon around the empty ribbon core for 2 to 3 circles.



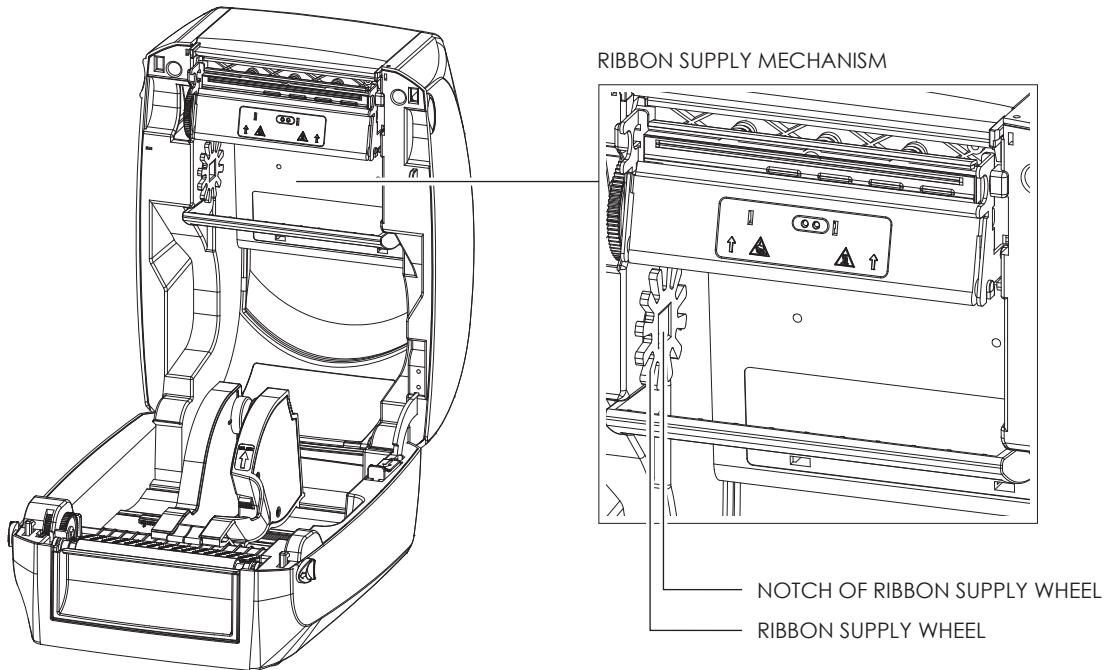
3. A ribbon module is assembled as below.

A NEW RIBBON MODULE

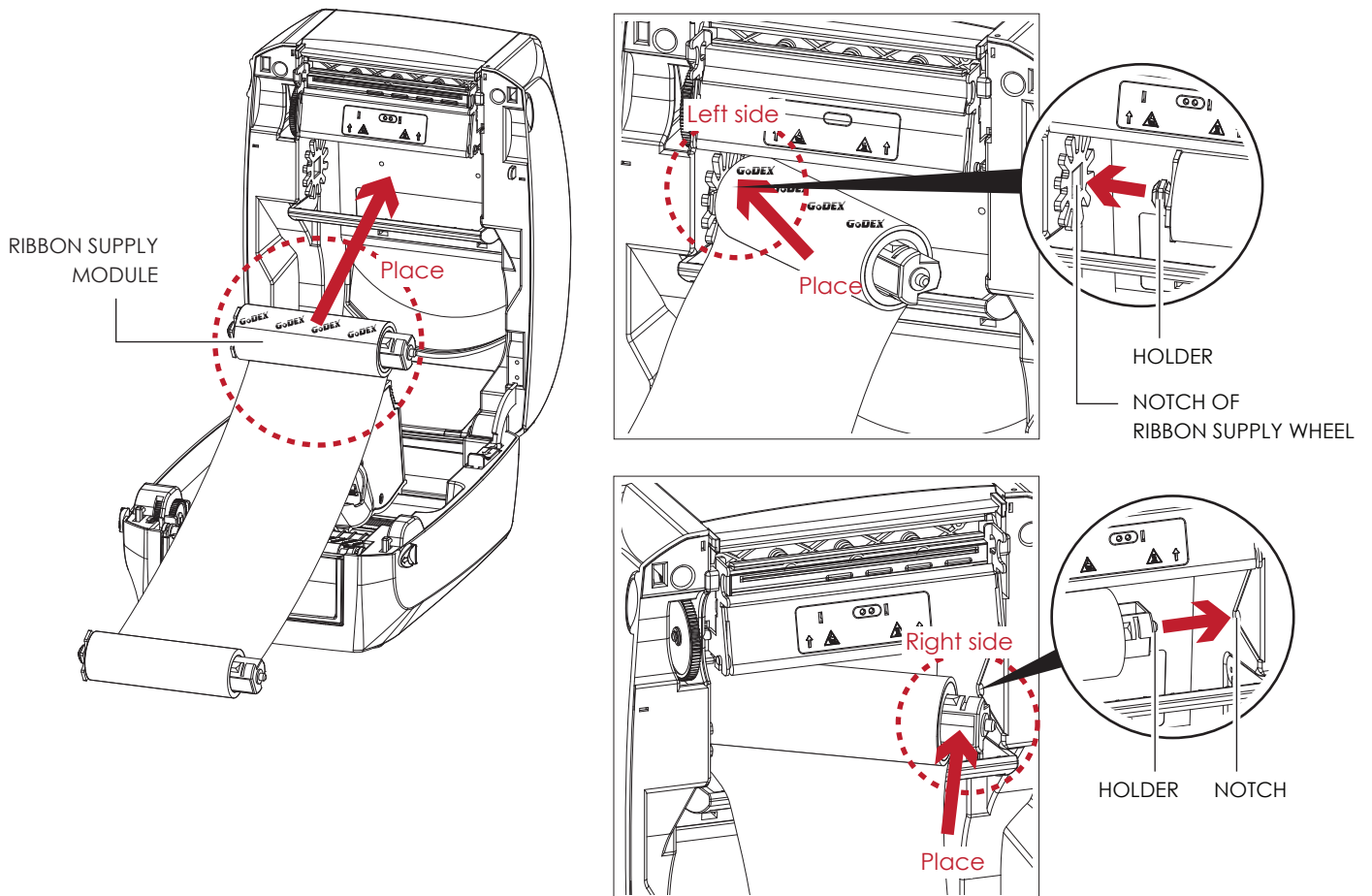


2 Printer Setup

Load the Ribbon on the Printer For Ribbon Supply Module

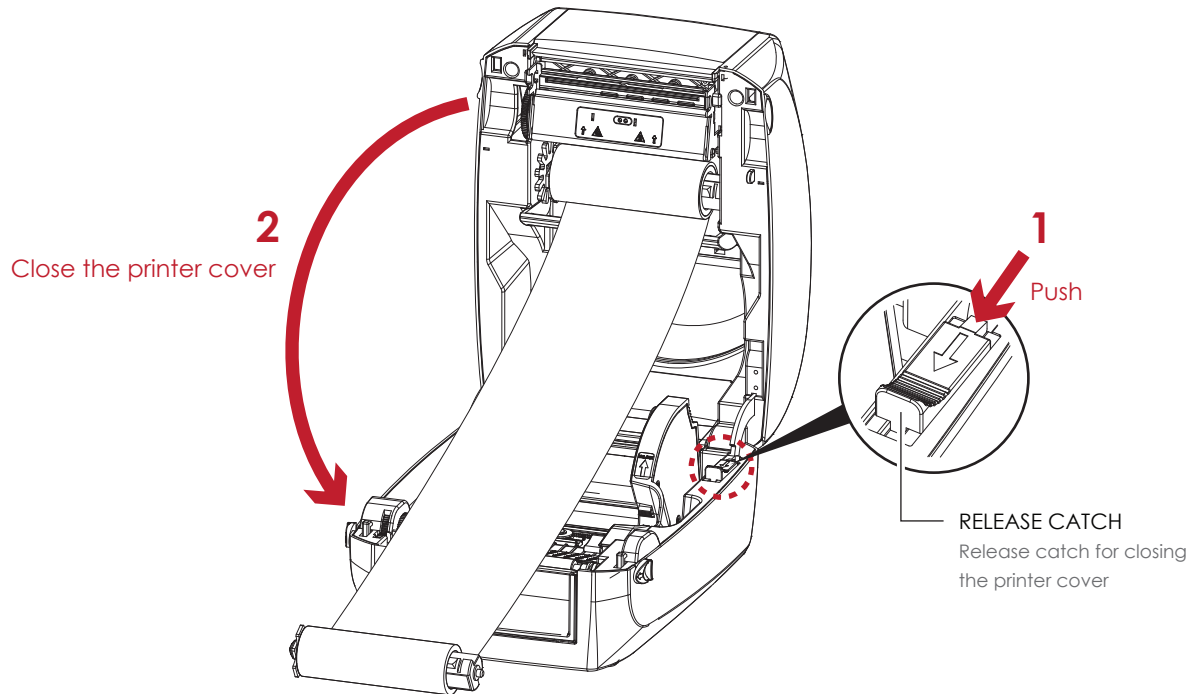


1. Place the ribbon supply module into the printing mechanism. Please the left-hand side of ribbon hub first. Make sure the holder of ribbon hub is inserted into the notch. Then place the right-hand side of ribbon hub.

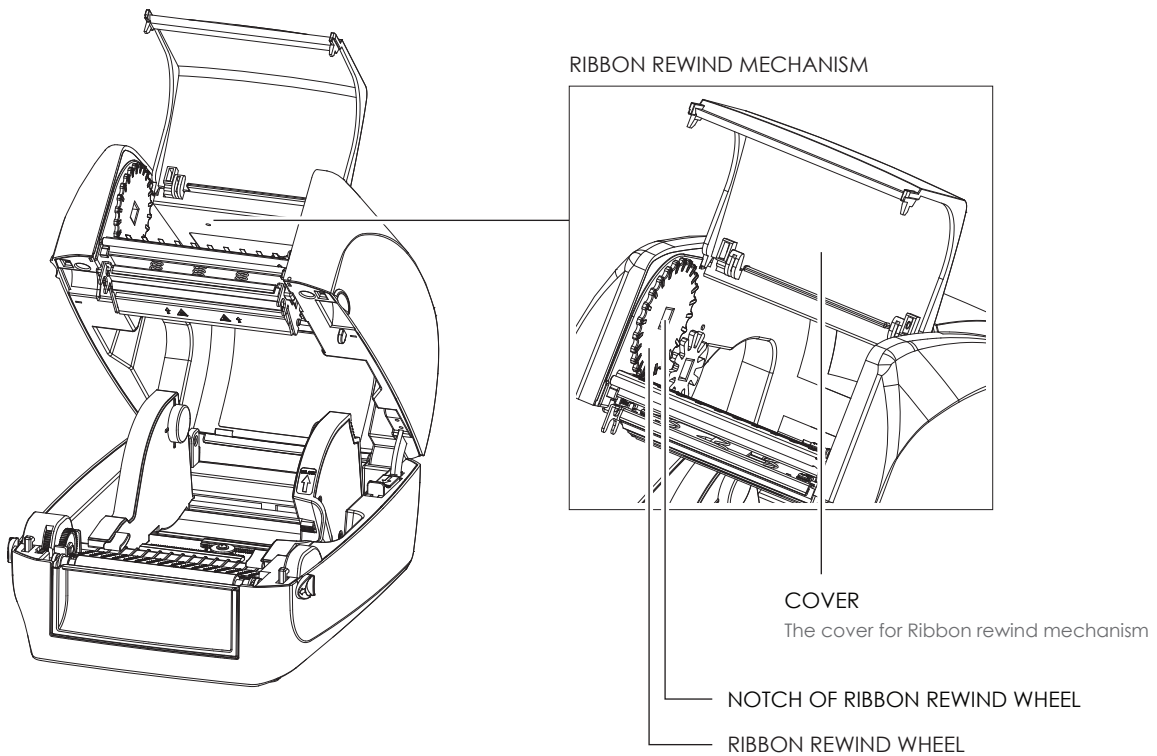


2 Printer Setup

2. Unlock the release catch to close the printer cover. Push the release catch forward to unlock it. The ribbon supply module loading is completed.

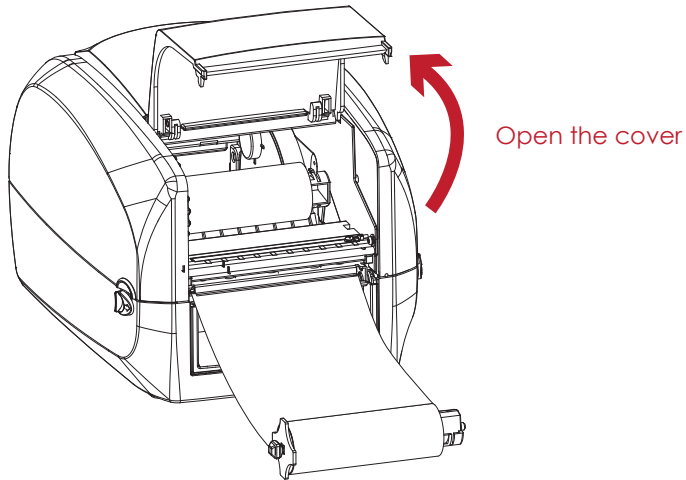


Load the Ribbon on the Printer For Ribbon Rewind Module

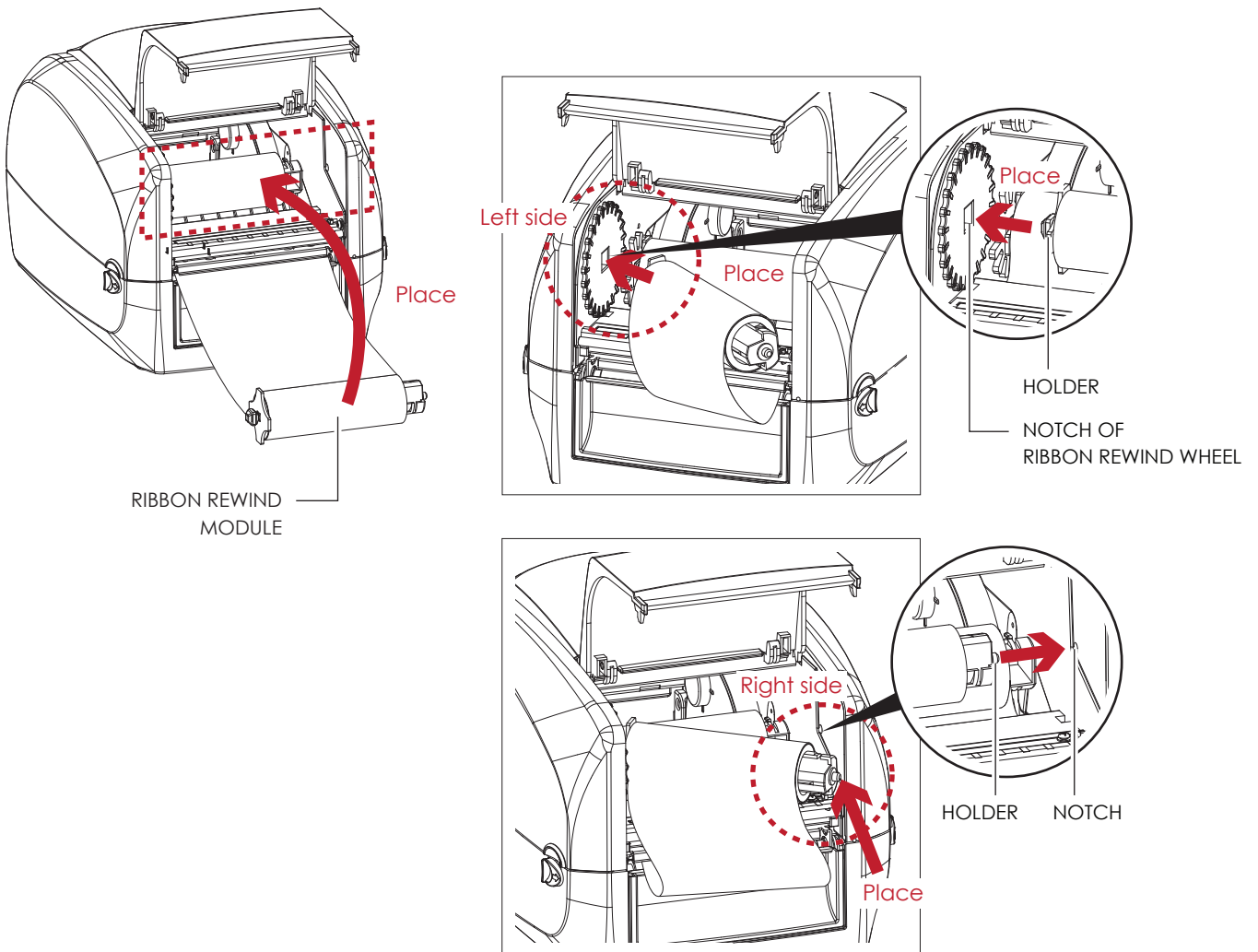


2 Printer Setup

1. Open the cover of ribbon rewind mechanism.

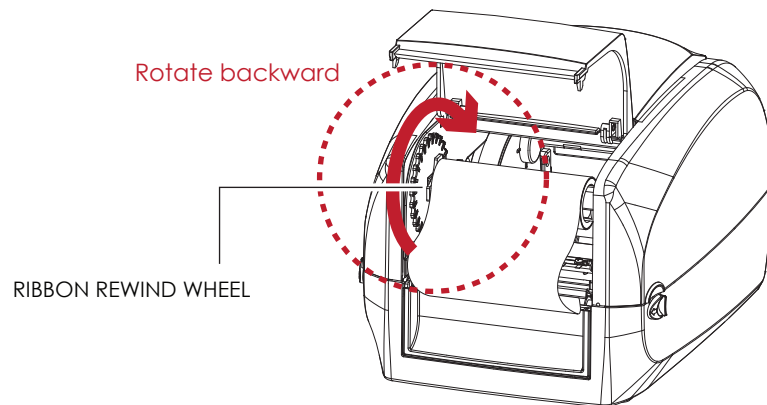


2. Place the ribbon rewind module into the ribbon rewind mechanism.
Please the left-hand side of ribbon hub first. Make sure the holder of ribbon hub is inserted into the notch. Then place the right-hand side of ribbon hub.

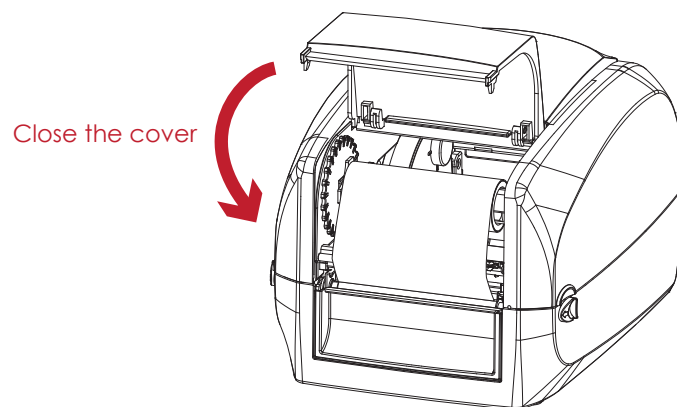


2 Printer Setup

3. Turn the ribbon rewind wheel to tighten the ribbon until it has no wrinkles.



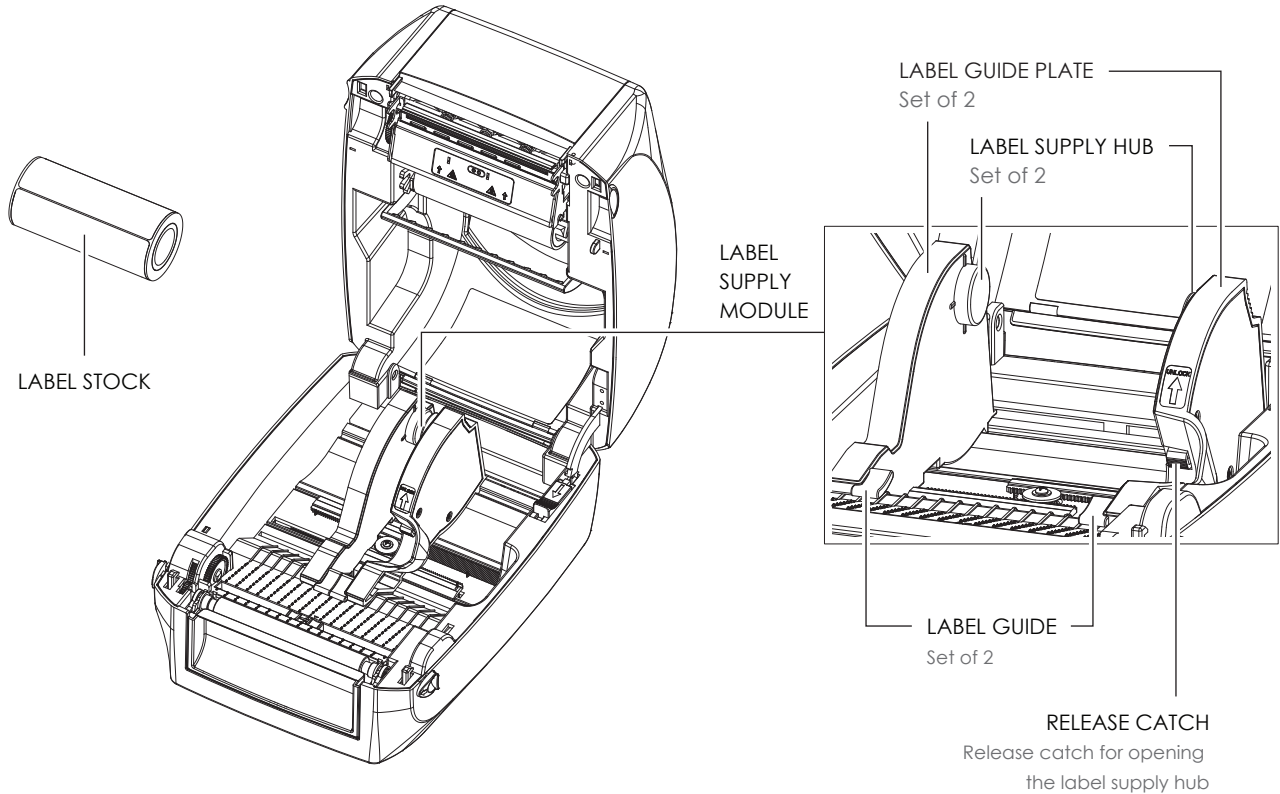
4. Close the cover of ribbon rewind mechanism.
The ribbon loading is completed once the ribbon supply module and ribbon rewind module are assembled correctly.



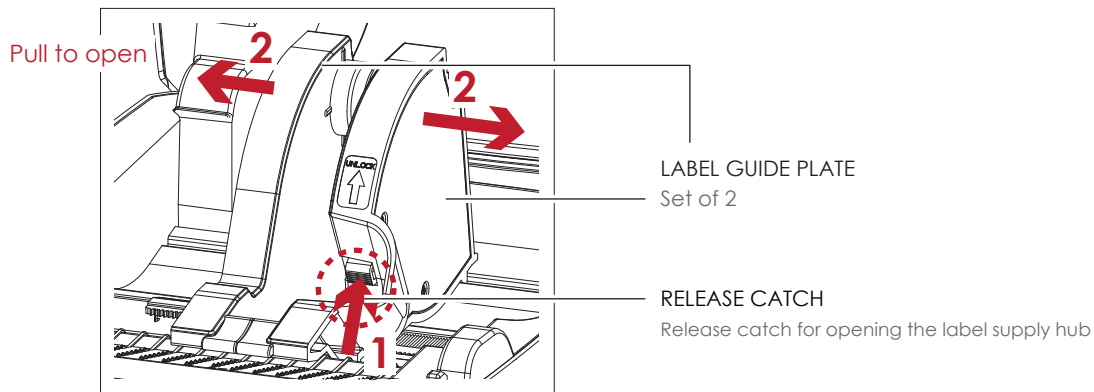
2 Printer Setup

2.3 Loading the Label Roll Module

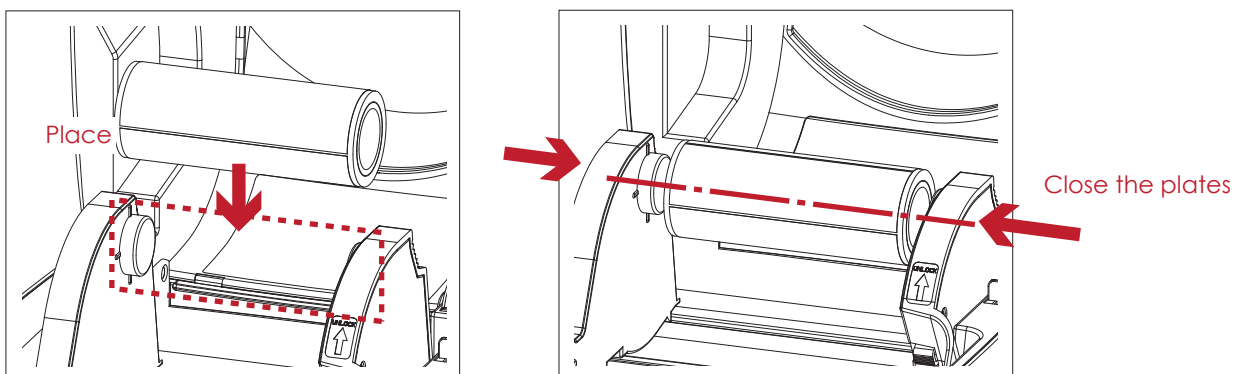
Loading the Label Stock on the Printer



1. Unlock the ribbon catch and pull to open the label guide plate.

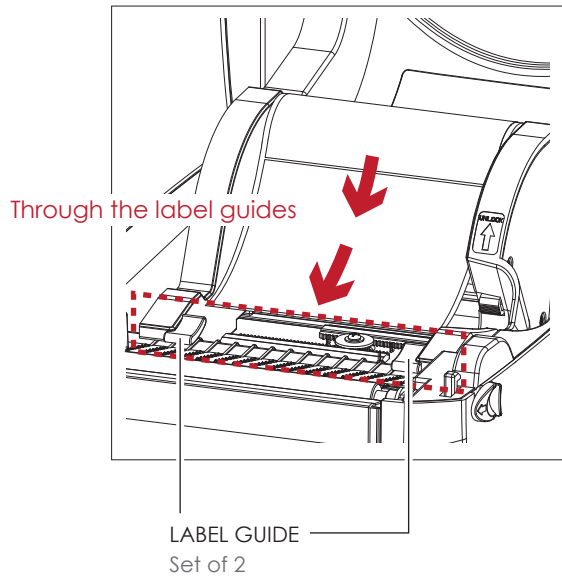


2. Place the label stock on label supply hubs. Make sure the label stock is aligned to both hubs. Adjust the label guide plates to fix the label width. Remember to push the release catch when moving the label guide plates.

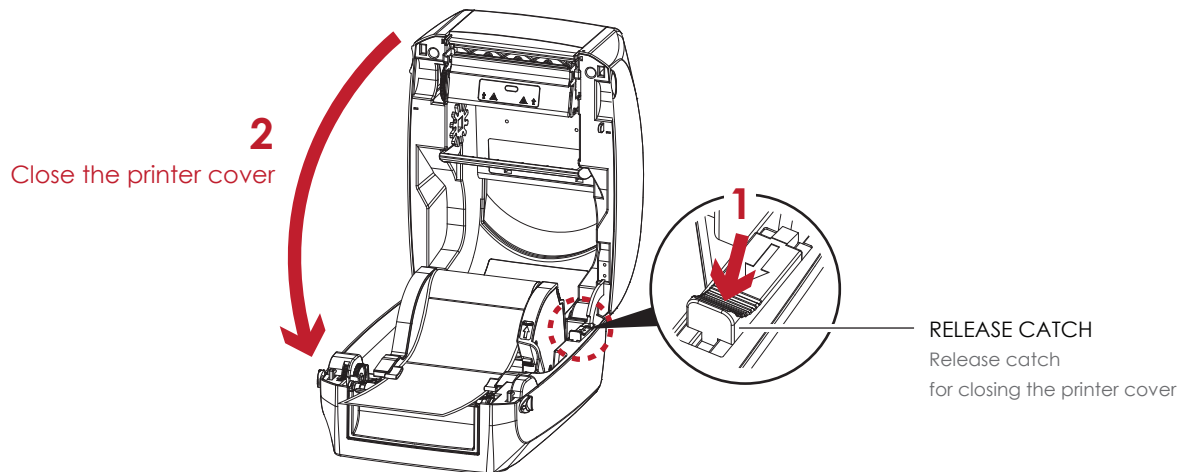


2 Printer Setup

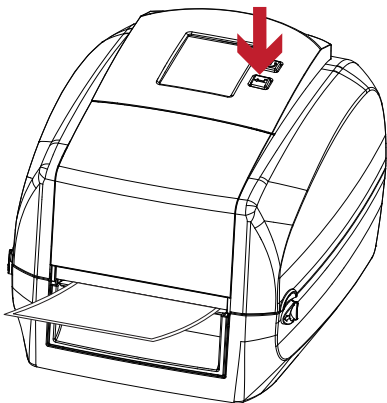
3. Feed the Label through the label guides. The label guides will help to prevent the label swaying.



4. Unlock the release catch to close the printer cover.



5. Press the FEED key and make sure the label is fed smoothly. The label loading is completed now.



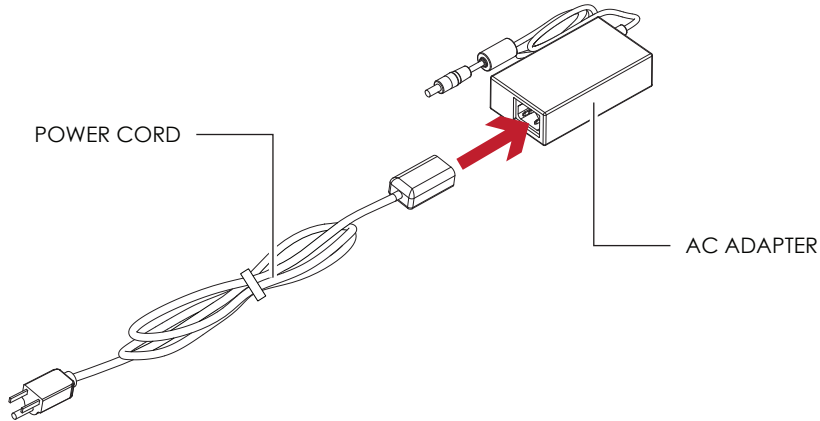
Note

- * Please keep the rack gear clean to ensure the smoothness of label holder.

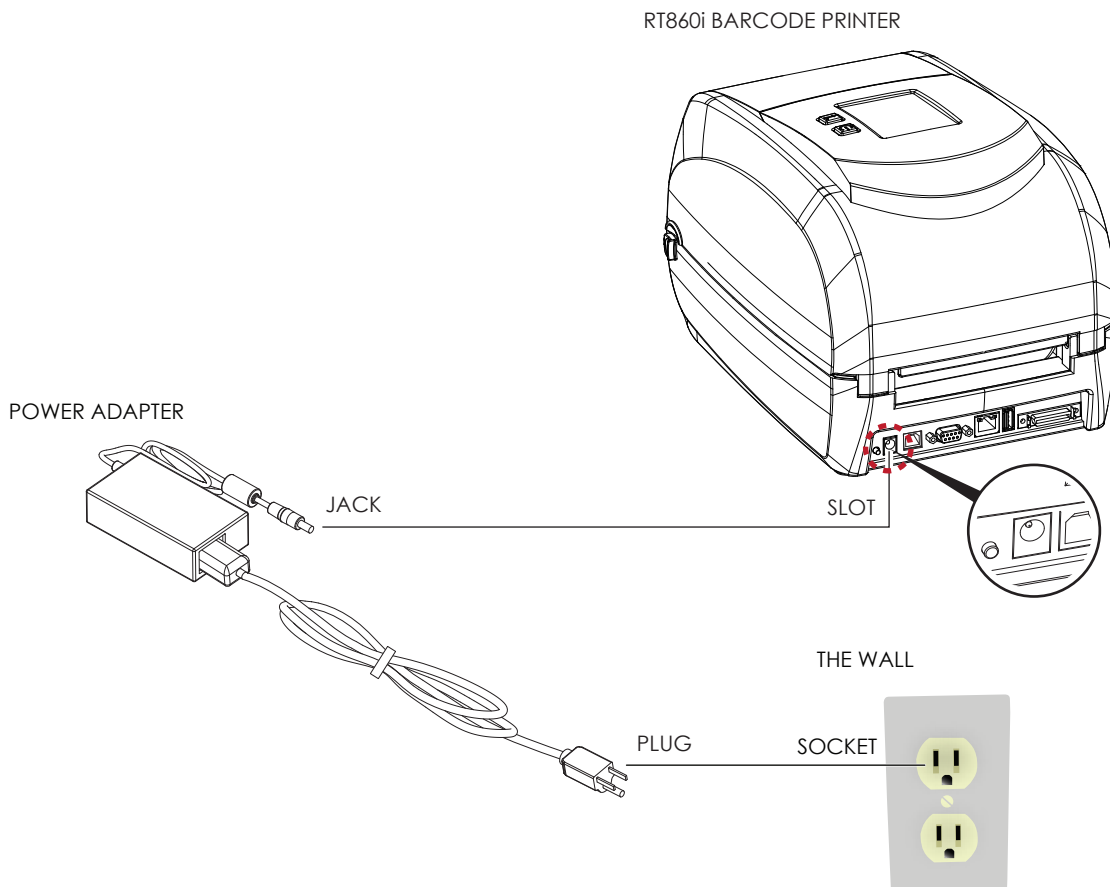
2 Printer Setup

2.4 Connecting the Printer to the Host Computer

1. Please make sure that the printer is switched off.
2. Connect the power cord to the AC adapter.

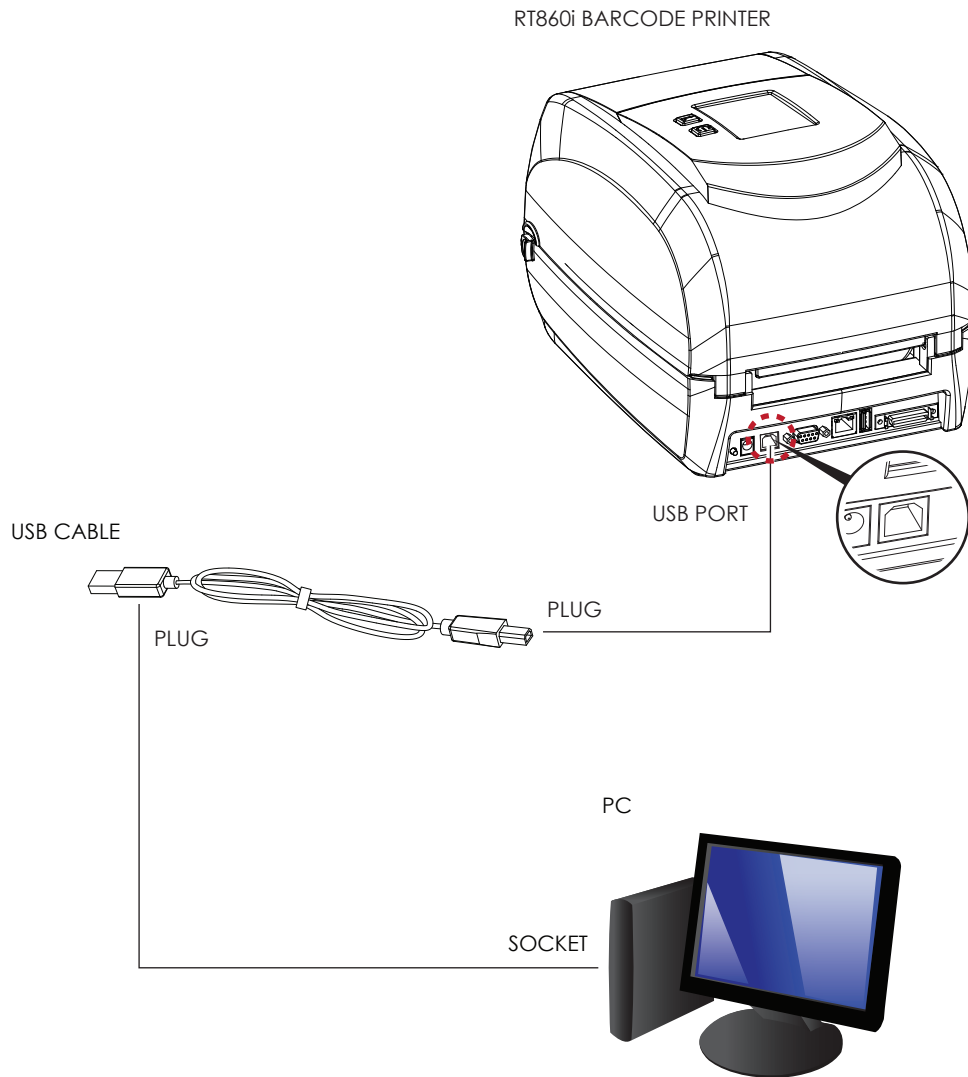


Connect the jack of the power adapter to the printer and connect the plug of the power adapter to the socket of the wall.

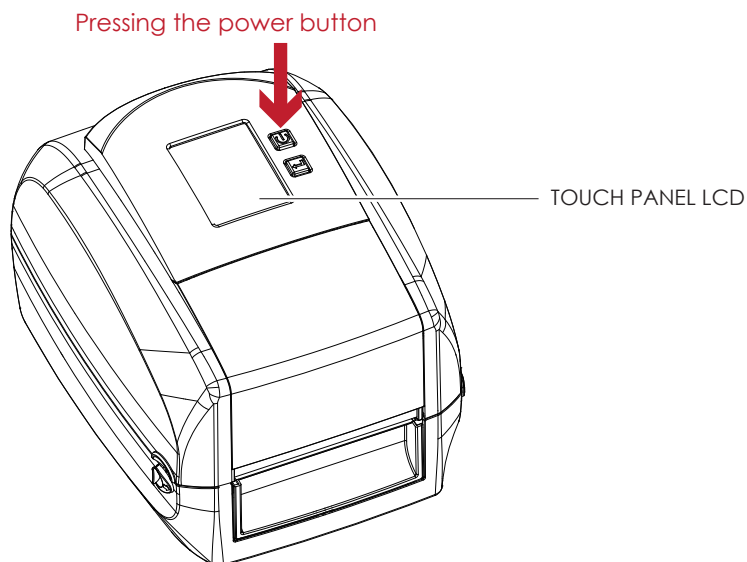


2 Printer Setup

3. Connect the USB/serial cable to the printer and host computer.



4. Pressing the power button. The Touch Panel LCD will lights up.

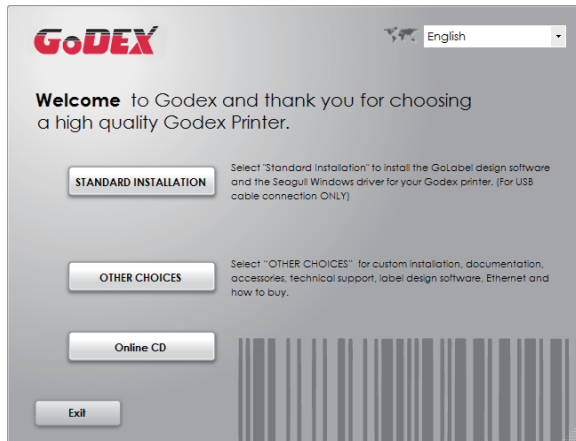


2 Printer Setup

2.5 Wizard CD Standard Installation

1. Insert the Super Wizard CD in the CD/DVD drive of the host computer and the installation program should pop up automatically.

You will see the Welcome screen first. On the Welcome screen, choose "STANDARD INSTALLATION".



2. The wizard will then ask you to make sure your USB and power cables are connected and that the power is turned on. Then click "NEXT".



3. The next screen you will see is, "Install the GoLabel Software and Windows driver". Click "NEXT" to continue.



Note

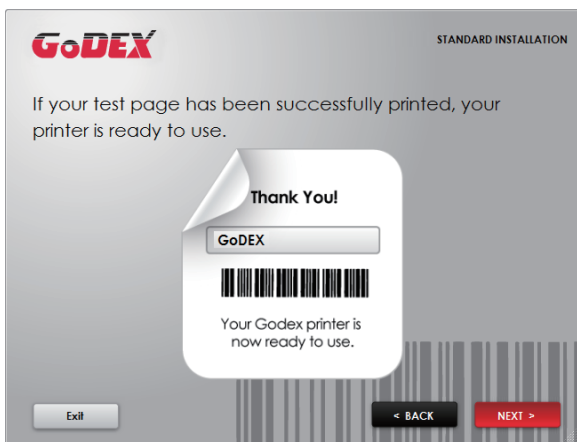
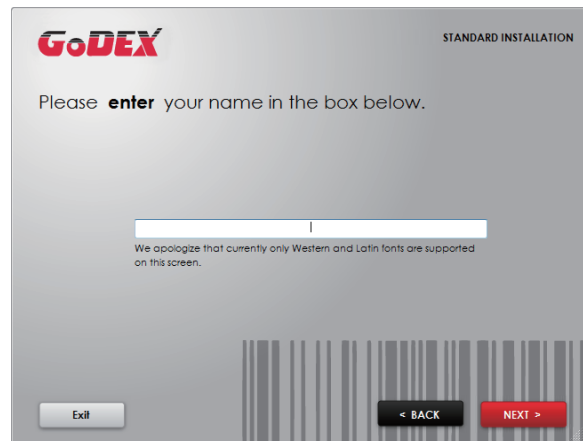
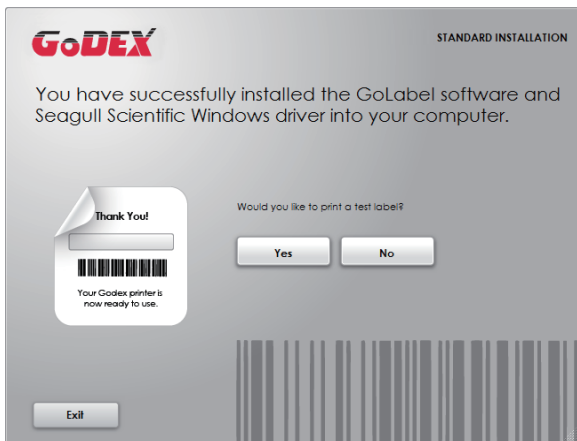
* If the Super Wizard program did not run automatically, you can either turn on the "Auto-run" setting for your CD/DVD driver or double-click the icon of CD/DVD driver to run the program manually.

2 Printer Setup

4. As the printer driver and GoLabel are installing, a screen will display a progress bar. While downloading completed you will see Installation completed. Click "NEXT" to continue.



5. You can also print a test label. If don't print a test label, the screen display as step 6.

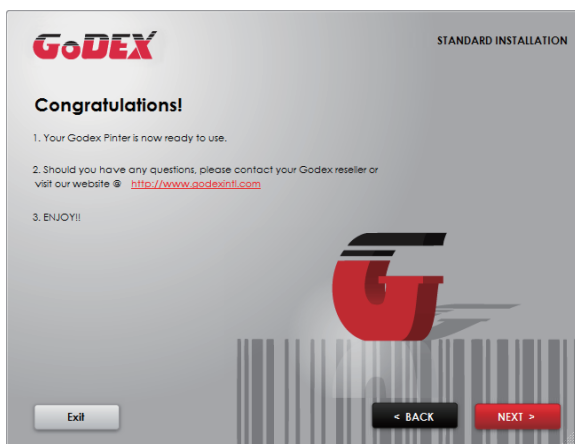


Note

* If you need more resources, tools or reference documents, you can also find them on Super Wizard CD. Just click "Other Choices" on the Welcome Screen to access the files.

2 Printer Setup

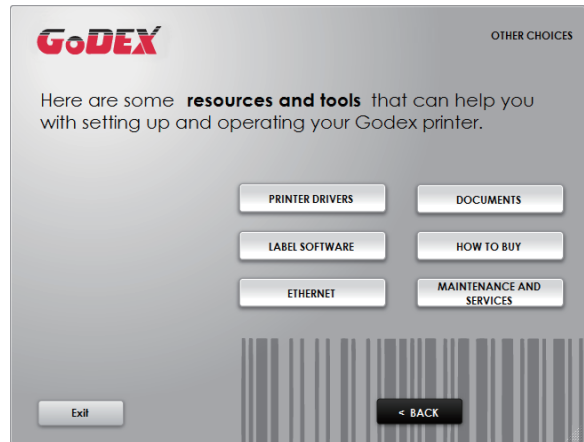
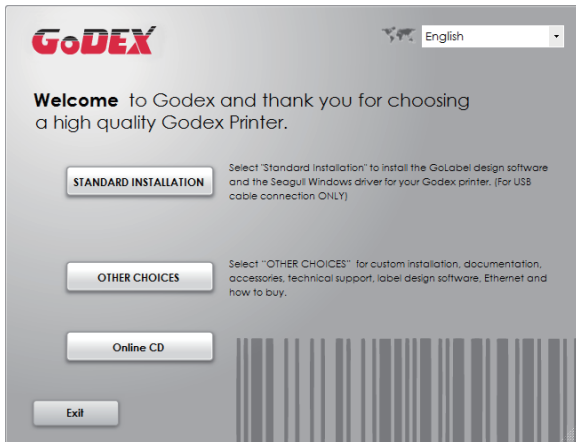
6. Once the installation is complete, you can start to make and print labels with GoLabel or through the printer driver.



2 Printer Setup

2.6 Wizard CD Other Choice Installation

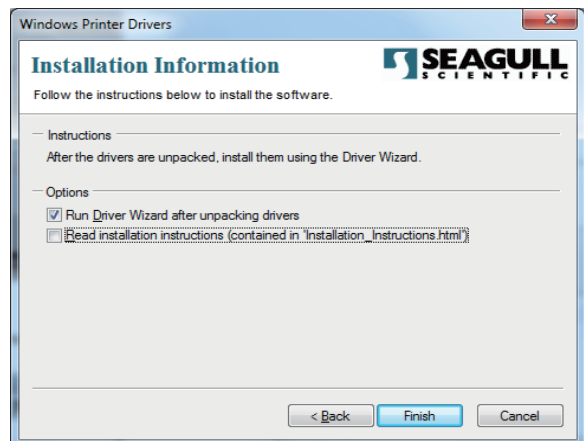
1. Click "OTHER CHOICES" to next screen and select "PRINTER DRIVERS".



2. Click "INSTALL SEAGULL SCIENTIFIC WINDOWS DRIVER" to next screen, and click "NEXT".



3. Select "I accept the terms in the license agreement", and click "Next" · then click "Finish" to step 4.

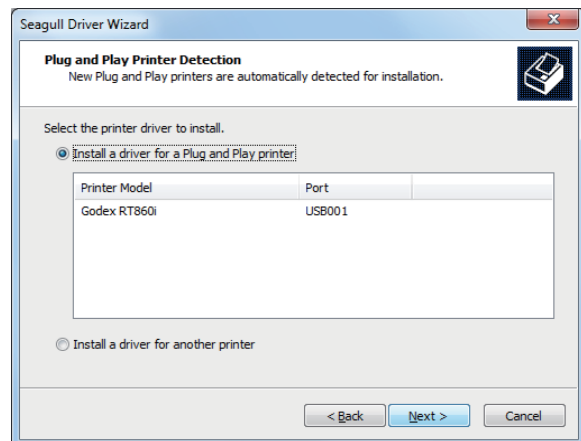
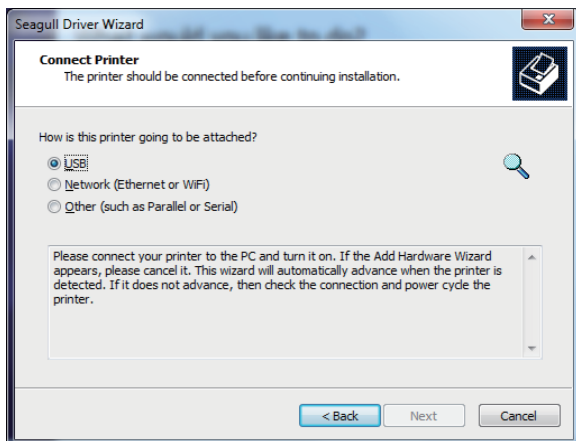


2 Printer Setup

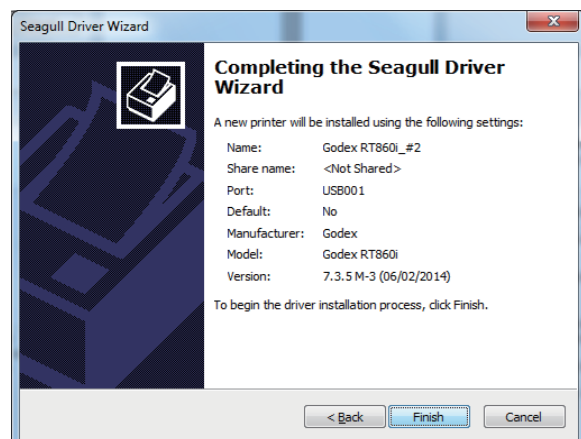
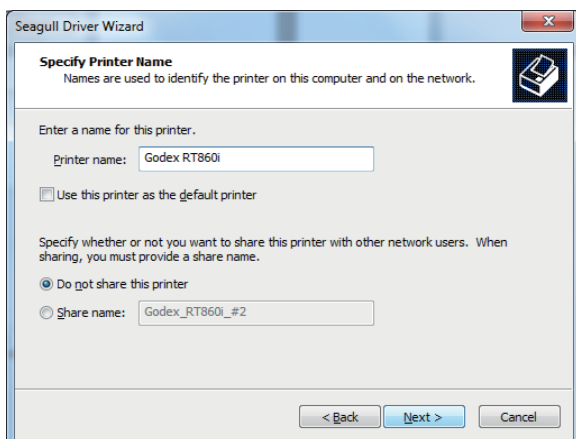
4. The Driver Wizard will guide you through the installation procedure. Select "Install printer drivers" and click "Next".



5. With a USB connection, search models such as the right diagram printer device. Specify your printer model and click "Next".

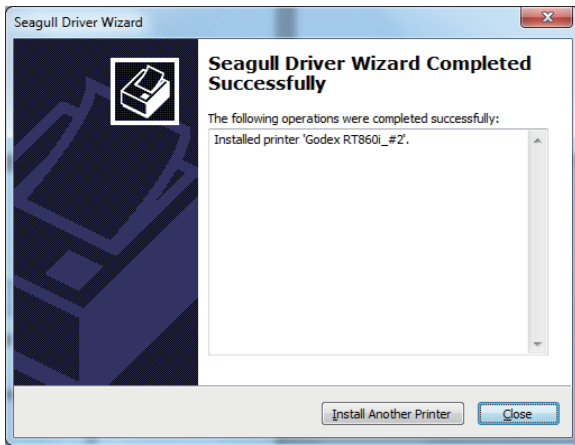


6. Enter the printer name (you can use default), then click "Next" to display as right diagram. Click "Finish" button to start installation.



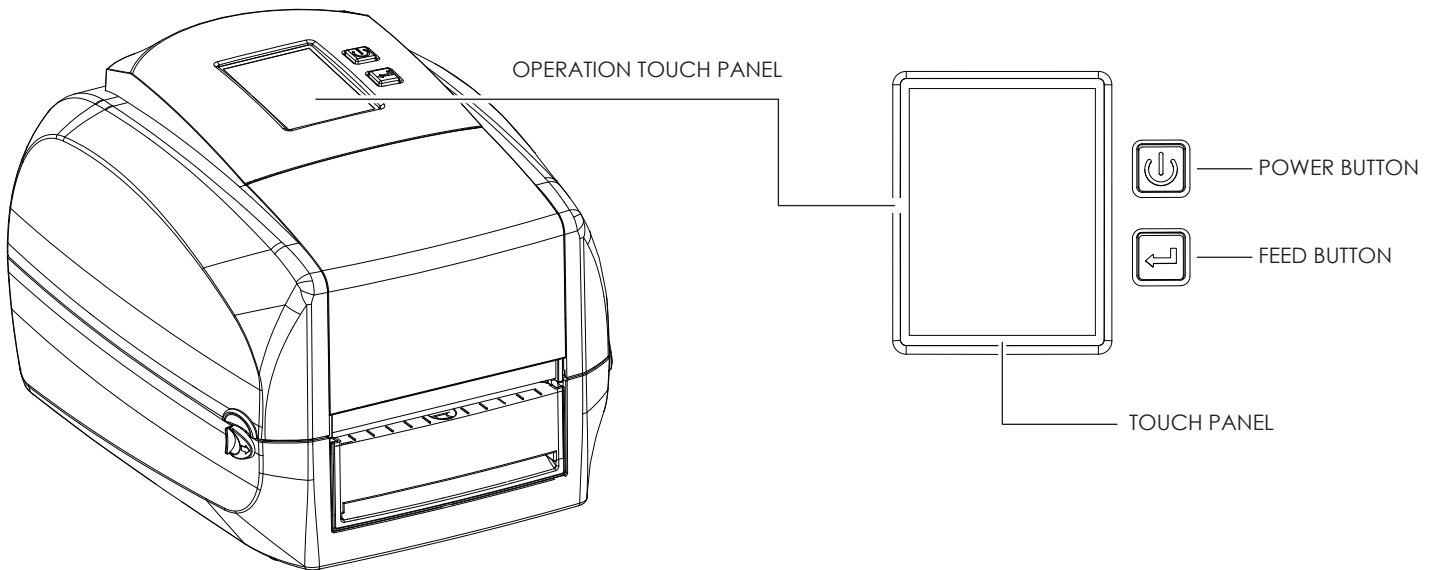
2 Printer Setup

7. Driver installation completed.



3 Printer Setting and Control

3.1 Operation Panel



POWER Button

Press the POWER button to turn on the printer, and the START UP SCREEN appears. The printer is on "ready to print" status, the LCD screen should display the message "READY" on the screen.

When printer is turned on, hold and press down the POWER button for 3 second will turn the printer off.

FEED Button

When you press the FEED button, the printer will advance media until the FEED button is released.

If you are using continuous labels, pressing the FEED button will advance a length of media until the button is released.

If you are using media with gaps, pressing the FEED button once will advance only one label.

If the label does not stop at the correct position, you need to run the auto-detection function for your media,

please see Section 3.4 Label Calibration and Self-Test.

PAUSE PRINTING_FEED Button

Pressing the FEED button during printing will interrupt printing, and the LCD display message "PAUSE...".

When the FEED button is pressed again, the printer resumes printing. Example: While a 10-label print job is running, you press the FEED button to pause the printer. Two of the labels have been printed. To resume printing and print the remaining eight labels, you will need to press the FEED button again.

CANCEL PRINTING_FEED Button

Press and hold the FEED button for 3 seconds during printing, the current print job will be cancelled.

Example: While a 10-label print job is running, you press the FEED button. Two of the labels have been printed.

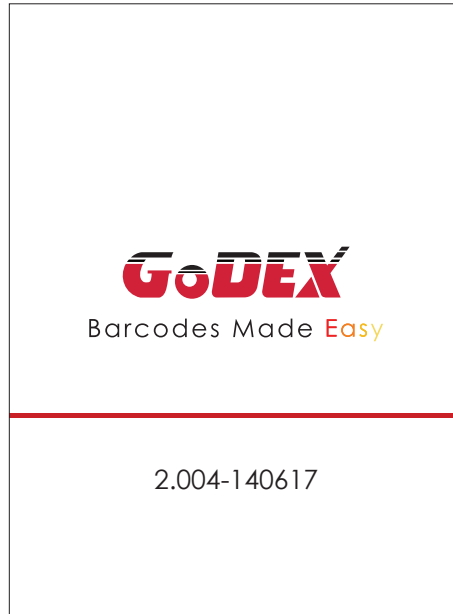
The print job is cancelled and the remaining eight labels will not be printed.

3 Printer Setting and Control

3.2 LCD Interface Introduction

Getting Started

Press the POWER button to turn on the printer, and the START UP SCREEN appears.



If the printer is on "ready to print" status, the LCD screen should display the message "Ready" on the screen. Use touch gestures to get around the main screen and other screen for setting.



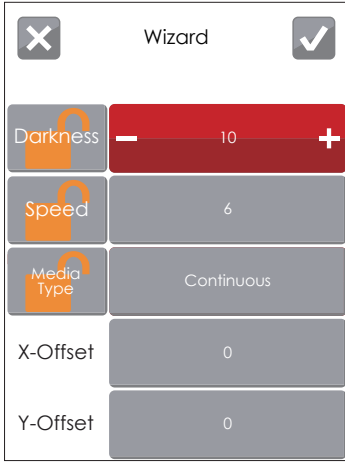
Tap the screen with your finger when you want to select on screen items such as settings icons.

3 Printer Setting and Control

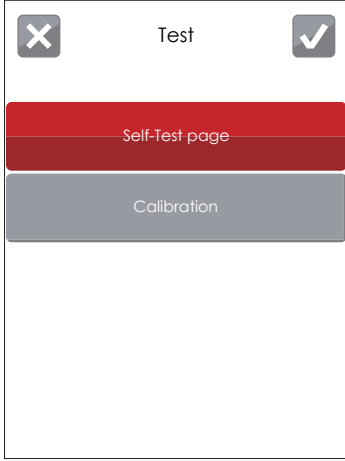
On the Ready Page, three function mode for setting. You can make various setting functions in FUNCTIONAL MODE.



Tap "Main" --
Screen could show more detail of "Main"

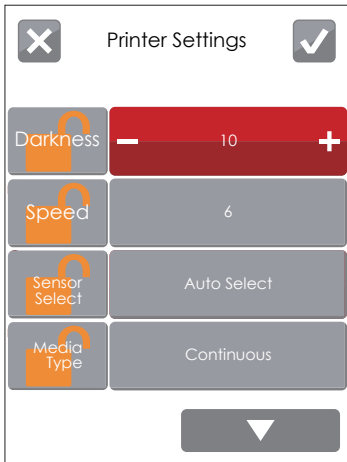


Tap "Wizard" --
Set up printer of "Darkness" "Speed" ...

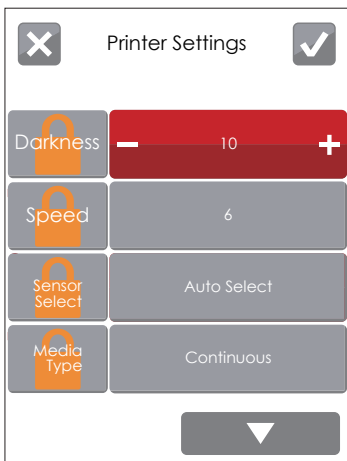
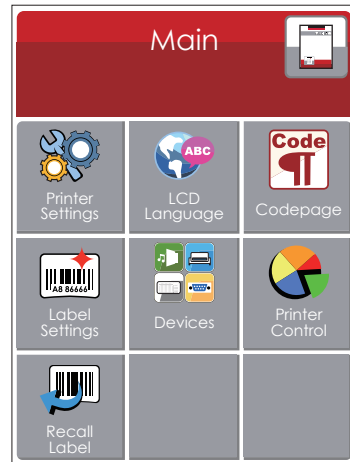


Tap "Test" --
Self-Test page and Calibration for setting.

3 Printer Setting and Control



finish setting tap
 back to Main page, if
 do not save, tap
 system back to
 Main page and
 would not save
 any changes.

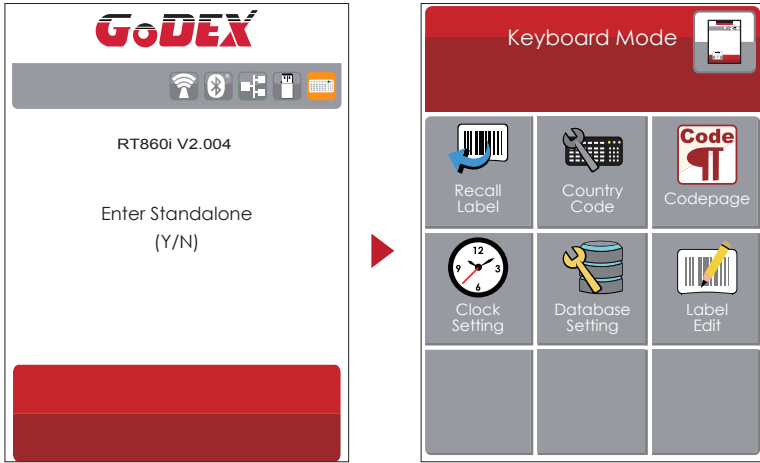


If printer functions locked, printer can not modify settings from GoLabel or any devices.

3 Printer Setting and Control


Keyboard Mode

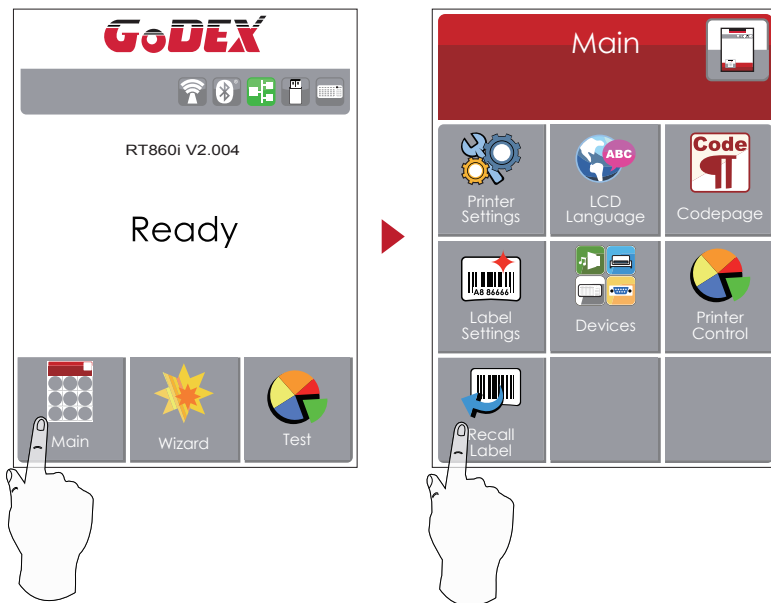
When plug-in an USB keyboard to the printer, LCD touch panel will display “Enter Standalone”, press the “Y” key on keyboard to entering to the dialog for “Keyboard Mode” operation.



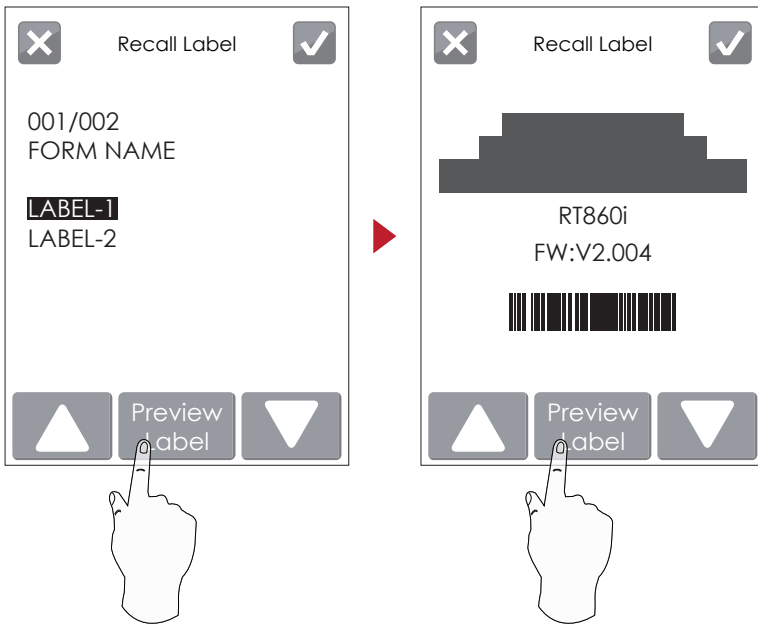
Preview Label function

User can choose any labels to preview it before print it.

From the “Ready” page, tap  to Main page
From the Main page tap Recall Label to Recall Label page.



3 Printer Setting and Control



From the Recall Label Page the touch panel shown on all labels. The Data processing time will be extend as long as the labels increase.



Tap up to choose labels.

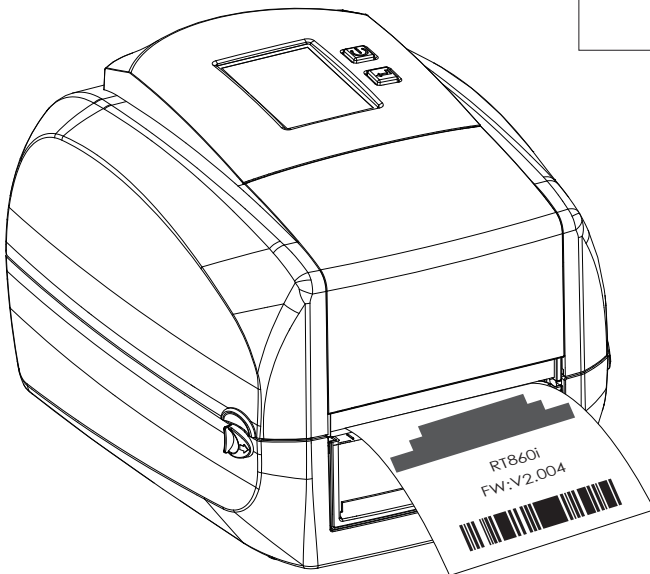
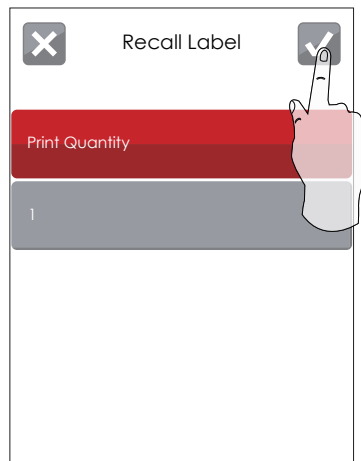


Tap down to choose labels.



Tap Preview Label can see printing label.

Keeping tap to next page



Print out selected label.

3 Printer Setting and Control

3.3 LCD Interface Function

Main Page



Setting items for printer, ex. Printing speed, darkness. Also includes a Printing Wizard for your ease of printing.



10 languages for printer setting



It consists of a table of values that describes the character set for a particular language



Setting items for printing label, ex. Rotation, Printing position offset



Providing Buzzer, Option Setting, Smart Backfeed, Serial Port Setting, LAN Setting, LCD Setting, Clock Setting, WiFi Setting, and Bluetooth Setting



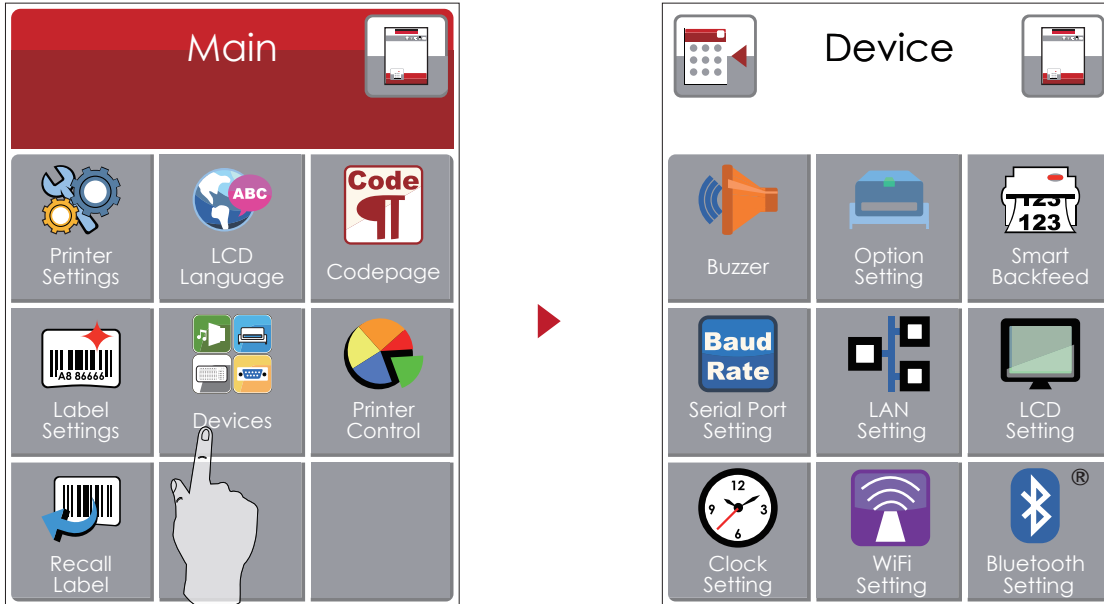
Self-Diagnose functions for printer, ex. Calibration, Self-Test page and Clear Memory



Recall Label and preview label

3 Printer Setting and Control

Device Page



Setting off or on for buzzer



Setting items for options, ex. Cutter, Label Dispenser, Applicator



Setting off or on for Preview Label



Setting items for Serial Port, ex. Baud Rate, Parity, Data Bits, Stop Bits.



Setting items for LAN, ex. DHCP, IP Address, Subnet Mask, Gateway



Setting items for LCD, ex. off or on for Password function, Correction



Setting items for Clock, ex. Year, Month, Day, Hour, Minute and off or on for Visible function

3 Printer Setting and Control

Setting Items in LCD Setting Mode



	Darkness	0-19
	Speed	2-3
	Sensor Select	Auto Select See-Through Reflective
	Media Type	Label with Gaps Label with Marks Continuous
Printer Settings	Printing Mode	Direct Thermal Thermal Transfer
	Tear-off Position	0-40
	Top of Form	OFF FULL Door Open Only
	Program Language	Auto EZPL GEPL GZPL
LCD Language		English Deutsch Français Español Italiano 簡體中文 繁體中文 Türkçe 日本語 Русский
Code Page		850 852 437 860 863 865 857 861 862 855 866 737 851 869 Windows 1252 Windows 1250 Windows 1251 Windows 1253 Windows 1254 Windows 1255 Windows 1257
Label Settings		Rotation (0° · 90° · 180° · 270°) X-Offset (-100 ~ +100) Y-Offset (-100 ~ +100) Start Offset (-100 ~ +100)

3 Printer Setting and Control



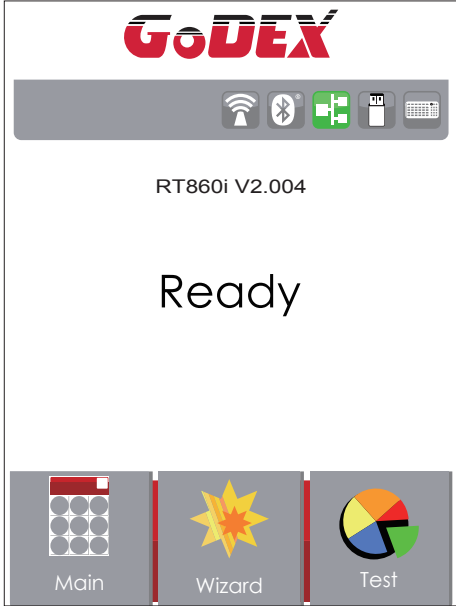
Devices	Buzzer	OFF		
		ON		
	Option Setting		None	
			Cutter	
			Label Dispenser	
			Applicator	
	Smart Backfeed		OFF	
			ON	
	Serial Port Setting	Baud Rate	4800	
			9600	
			19200	
			38400	
			57600	
			115200	
		Parity		None
				Odd
				Even
		Data Bits		7
			8	
	Stop Bits		1	
		2		
LAN Setting	DHCP	OFF / ON		
	IP Address	0.0.0.0		
	Subnet Mask	255.255.255.0		
	Gateway	192.168.0.254		
LCD Setting	Password	OFF / ON		
		Correction		
Clock Setting	Year			
	Month			
	Day			
	Hour			
	Minute			
	Display	OFF / ON		
	Printer Control		Configuration	
Test			Directory	
			TPH Testing	
			Dump Mode	
Sample Pattern		Self-Test page / Balance		
Select Memory		Internal / External		
Clear Memory			Label Format	
			Graphic	
			Bitmap Fonts	
			Ture Type Fonts	
			Asian Fonts	
		ALL		
	Calibration			
	Reset to Default			
Wizard	Darkness	0-19		
	Speed	2-3		
	Media Type		Label with Gaps	
			Label with Marks	
			Continuous	
	X-Offset	-100 ~ +100		
Y-Offset	-100 ~ +100			



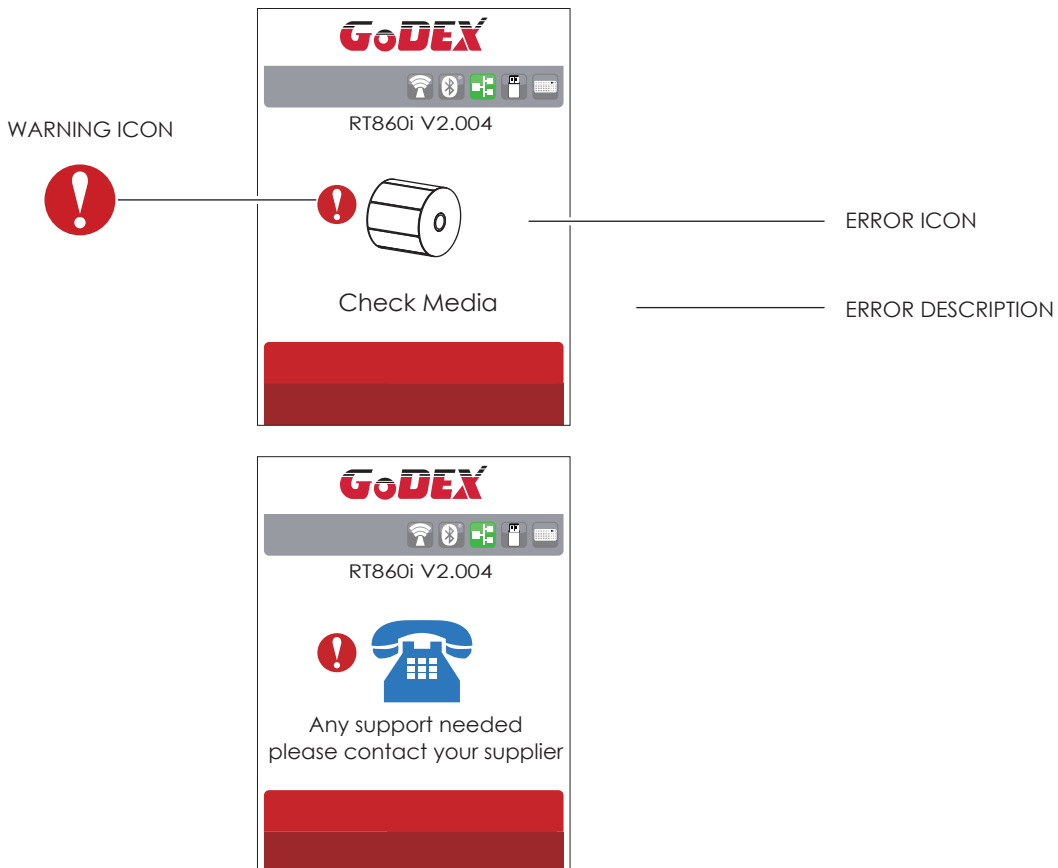
3 Printer Setting and Control

Status of LCD Interface

When printer is on standby status (ready to print), the LCD interface will display "Ready" on screen. You can only print when you see the "Ready" status.



If there is any printers error, the LCD screen will display the error screen to show the type of error. You can fix the error according the notice or contact the supplier.



3 Printer Setting and Control

3.4 Label Calibration and Self Test

Label Calibration

The printer can automatically detect and store label height.

That means the host computer does not need to transmit the label height to the printer.

Self Test

Self-test function lets you check whether the printer is functioning normally.

Here is how you run the label size calibration and self test.

1. Check that the label stock is loaded correctly.
2. Turn off the printer and pressing the FEED button.
3. Turn the printer on again, keeping the FEED button pressed. When the LED starts to flash red, release the FEED button. The printer will now measure the label stock and store the label height.
4. Once the printer has successfully measured the label stock, it will print a self-test label.

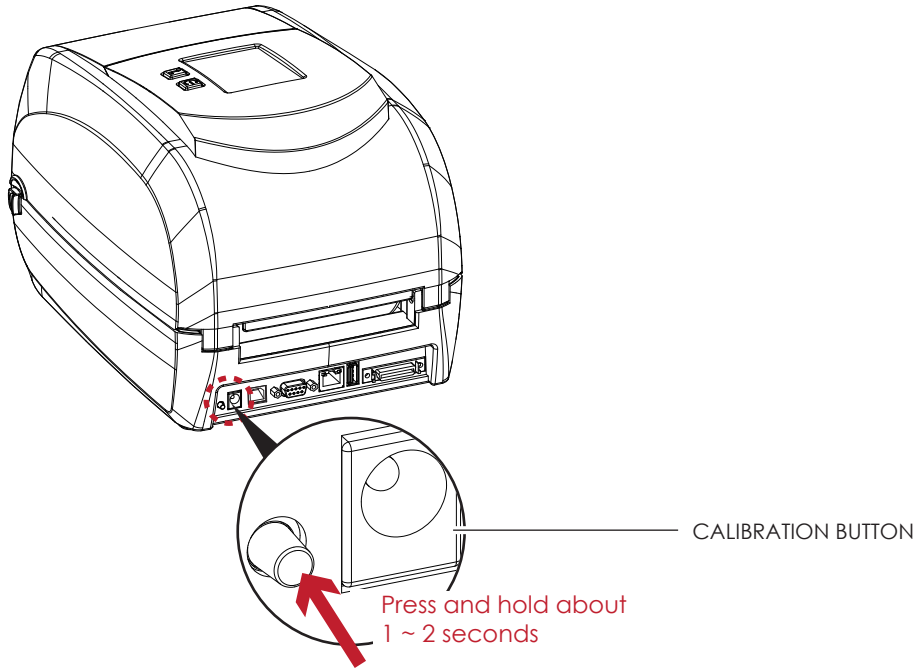
The contents of a self-test printout are listed below.

Model & Version	RT860i VX.XXX
USB ID setting	USB S/N:12345678
Serial port setting	Serial port:96,N,8,1
MAC address of Ethernet port	MAC Addr:xx-xx-xx-xx-xx-xx
IP address setting	IP xxx.xxx.xxx.xxx (DHCP_10MF)
Gateway setting	Gateway xxx.xxx.xxx.xxx
Sub-Mask setting	Sub-Mask xxx.xxx.xxx.xxx
Port status	PORT State L S E U B
(The default value is 1, which means that all ports open)	1 1 1 1 1
	#####
Number of forms	0000 FORM(S) IN MEMORY
Number of graphics	0000 GRAPHIC(S) IN MEMORY
Number of fonts	000 FONT(S) IN MEMORY
Number of Asian fonts	000 ASIAN FONT(S) IN MEMORY
Number of Databases	000 DATABASE(S) IN MEMORY
Number of Scalable fonts	000 TTF(S) IN MEMORY
Free memory size	63980 KB FREE MEMORY
Speed, Density, Ref. Point, Print direction	^S3 ^H8 ^R000 ~R200 ~Q+0
Label width, Form length, Stop position	^W102 ^Q100,3 ^E16
Cutter, Label Dispenser, Mode	Option:^D0 ^O0 ^AT
Sensor Setting	Ref.:0.4 2.8 1.4 [2.4_8]
Code Page	Code Page:850

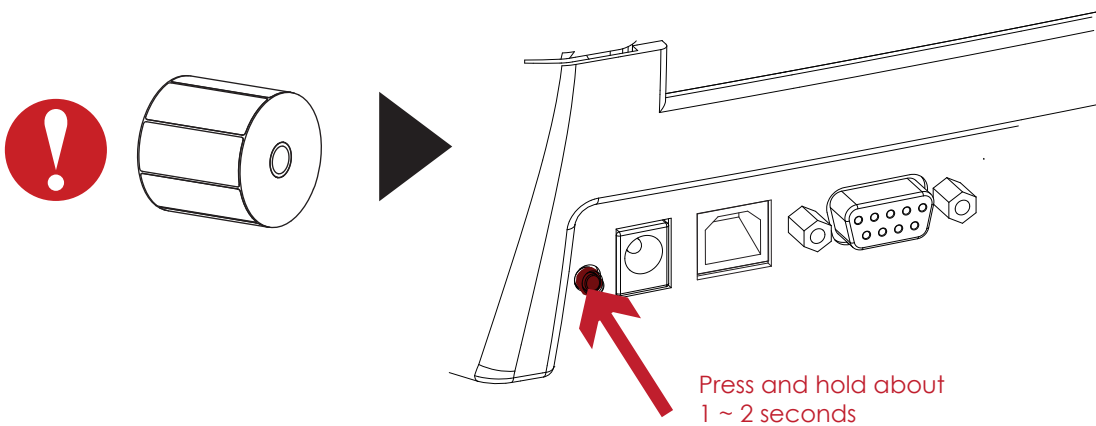
3 Printer Setting and Control

Label Calibration Button

A hardware button to make a Label Calibration while printer encountering "Media Error" during the cases when first-time printer start up or change label to another type, such as change using gap label to continuous or black mark labels.



Press Calibration button for 1 ~ 2 seconds, it will make an auto-sensing to calibrate the label's parameters.



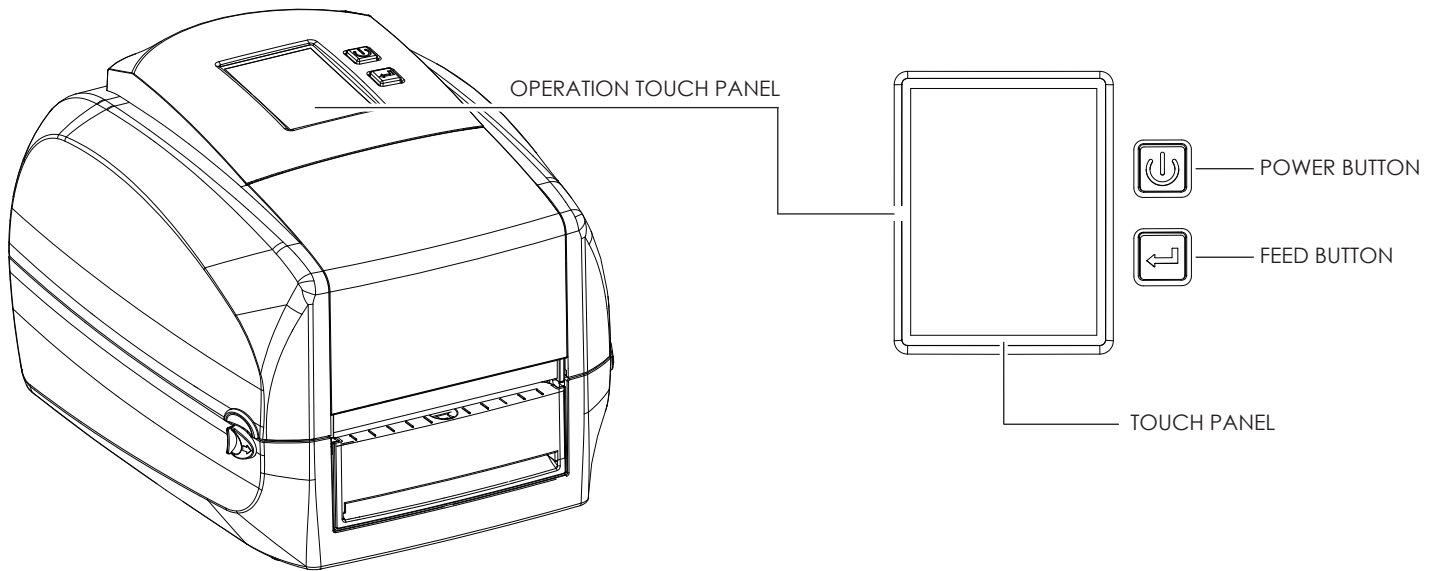
Note

* Press Calibration button is equivalent to the auto-sensing command "~-S,SENSOR" that will cancel on-printing-job and make the Label Calibration immediately.

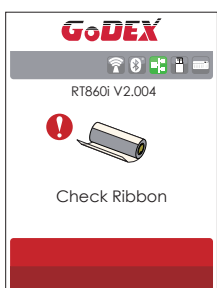
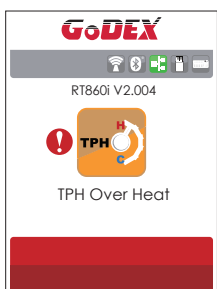
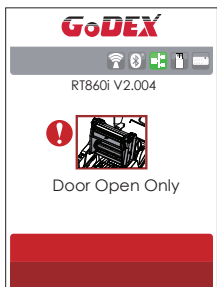
3 Printer Setting and Control

3.5 Error Alerts

In the event of a problem that prevents normal functioning of the printer, you will see an error message on LCD screen and hear some beep signals. Please refer to below table for the error alerts.



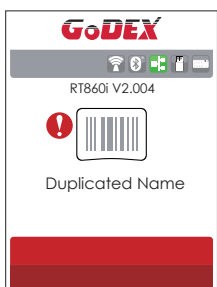
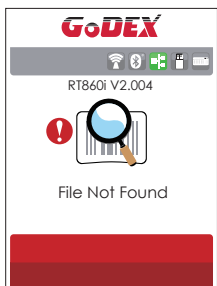
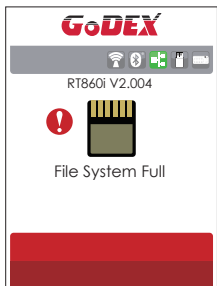
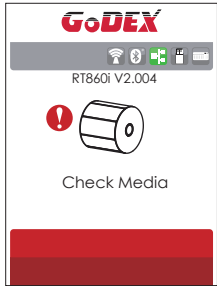
Operation Panel Status



Type	Beeps	Description	Solution
Door Open Only	2 x 4 beeps	The printing mechanism is not correctly closed.	Open the print mechanism and close it again.
TPH Over Heat	None	High temperature at the print head.	Once the print head has cooled down, the printer switches to standby mode.
Media Error	2 x 3 beeps	No ribbon is installed and the printer displays an error.	Make sure that the printer is set to direct thermal printing mode.
		The ribbon is finished or the label supply hub is not moving.	Replace the ribbon roll.

3 Printer Setting and Control

Operation Panel Status



Status	Beeps	Description	Solution
Media Error	2 x 2 beeps	No paper is detected.	Make sure that the label sensor is positioned correctly. If the sensor still does not detect the paper, run the auto-detection function again.
		Paper is finished.	Replace the label roll.
File Error	2 x 2 beeps	Printer feed problem.	Possible reasons: the print medium has become trapped around the rubber roll; the sensor cannot detect a gap or black mark between the labels; there is no paper. Please reset the sensor.
		The memory is full. The printer prints the message "File System full".	Delete unnecessary data or install additional memory.
		Unable to find file. The printer prints the message "File not found"	Use the "~X4" command to print all files. Then check whether the files exist and whether the names are correct.
		A file of the same name already exists. The printer prints the message "Duplicated Name".	Change the name of the file and try storing it again.

3 Printer Setting and Control

3.6 USB Host

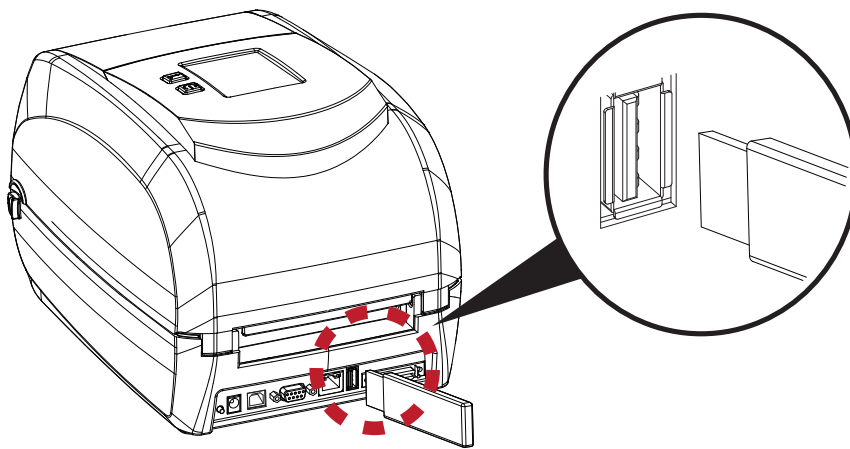
Definition : USB Host port supports either device : USB memory stick, USB keyboard or scanner.

Purpose

- USB memory stick : It extends the user memory space for Graphic, Font, Label Format, DBF and Command files downloading. The printer's Firmware also can be updating if copy new version of Firmware into USB memory stick.
- Connecting an USB keyboard to printer for "Keyboard Mode" mode operation.
- Plug-in an USB scanner to operate the printer in "Keyboard Mode" .

Usage of Extended Memory

- USB memory stick : It supports hot-plugging function; printer will create a Folder "\LABELDIR" and switch "User Flash" to " Extended Memory" automatically while user plugs an USB memory stick into a GoDEX printer.
- Connect USB with the printer; To connect PC and printer through USB.



Usage of Firmware Update

- Remove USB memory stick from printer and plug-in it to a PC's USB port.
- Copy a new version of Firmware "xxx.bin" to the Folder "\LABELDIR\FW"
- Remove USB from PC and plug-in back to the printer. The printer will update the Firmware automatically
- The "\ LABELDIR \ FW" directory allows only one file exists, if there are multiple files, the files will be confused.
- Don't remove the USB memory stick out while it's under updating with "Flash Writing..." message that displays on LCD panel.

3 Printer Setting and Control

USB Keyboard

- When plug-in an USB keyboard to the printer, LCD touch panel will display "Enter Standalone", press the "Y" key on keyboard to entering "Keyboard Mode" operation. Under this model can perform "Recall Label", set "Country Code", "Code Page", "Clock Setting", "Database Setting" and "Label Edit".
- Connect a USB keyboard to the printer, if not into the keyboard mode, press the "N" key to leave. Into Standalone mode of operation, to leave the Standalone operation, press "ESC" key to exit.
- After leaving the keyboard mode, for re-entry, press the keyboard "F1" key or reboot, you can follow the steps in the first step choose whether or not (Y / N) into the keyboard mode.

Scanner

- When plug-in an USB scanner to the printer, LCD touch panel will display "Enter Standalone", tap the "Feed" Key to entering "Keyboard Mode" operation.

Note

- * The USB Host port on printer is not support "USB HUB" function.
- * The USB Memory Stick supports with "FAT32" Disk Format and up to 32GB only. The certified vendors are Transcend, Apacer, ADATA, Patriot, Consair and Kingston.
- * The USB Memory Stick only supports download through the printer, On a PC, user may copy entire folder "\LABELDIR" from USB memory stick to PC or vice-versa. Can not copy the data to USB Memory Stick via PC individually.
- * External USB Host port is for power 500mA, is not recommended as electronics charging use.

3 Printer Setting and Control

3.7 Dump Mode Begin

For make sure provide us correct information for check what commands sent from the PC or software, please following below steps,

STEP 1, Let the printer enter Dump Mode

Here is how you switch to dump mode:

On the Ready Page, three function mode for setting. You can make various setting functions in FUNCTIONAL MODE.

1. Tap "Main" on LCD menu
2. Tap "Printer Control"
3. It will show Printer Control setting items such as Configuration→Directory→TPH Testing→Dump Mode

Please select to Dump Mode.

STEP 2. Make sure pinter ready for print a label

STEP 3. Send a label or commands which met problem to the printer

STEP 4. Printer will print out a label with letters and numbers, please take a picture on them and send us by email.

To cancel (get out of) the Dump Mode, please press the FEED key, and then the printer will

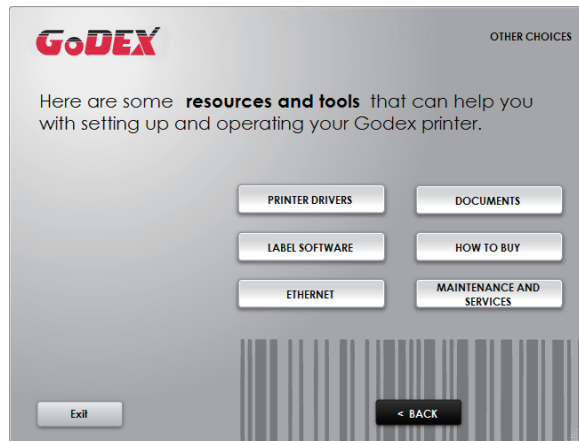
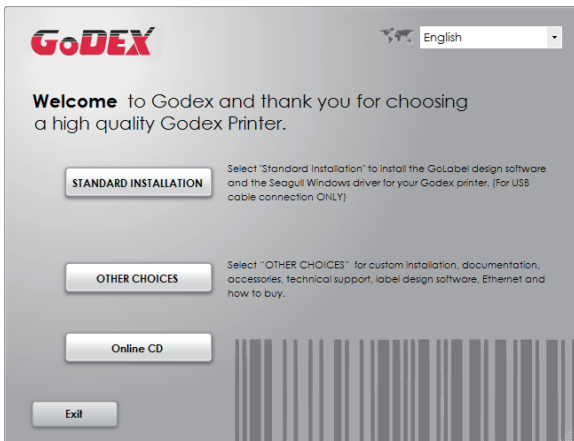
automatically print "OUT OF DUMP MODE." This indicates that the printer is back to the standby mode.

4 NetSetting for Ethernet

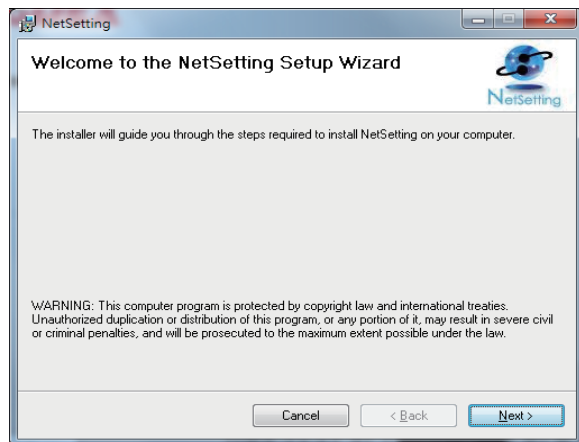
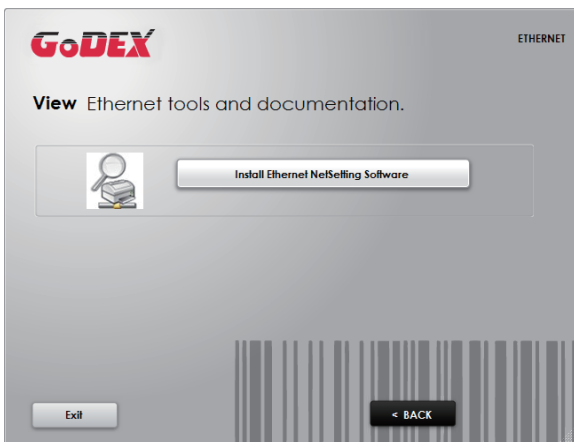
4.1 Installing the NetSetting software

The NetSetting software is used to manage the network configurations when connecting the printer via Ethernet port. It is available on product CD or can be downloaded from official website. To install the NetSetting, please follow below steps.

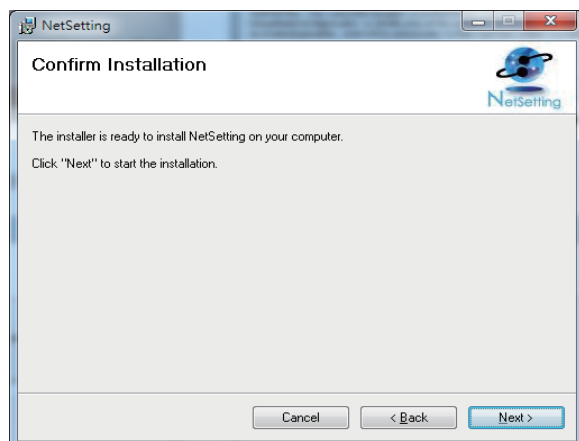
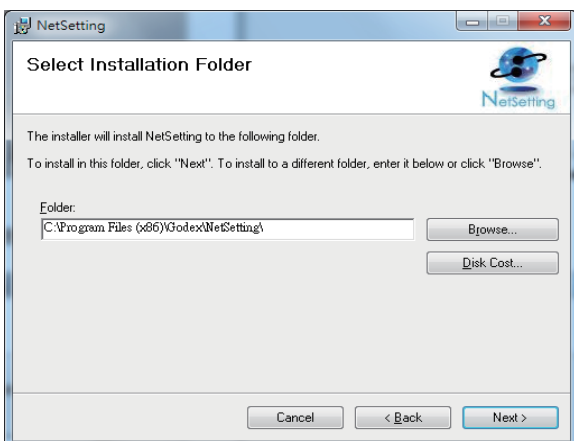
1. Insert the product CD in the CD/DVD drive, and click "OTHER CHOICES" button.
2. Select "ETHERNET".



3. Click "Install Ethernet NetSetting Software", installation screen as right diagram, click "Next".

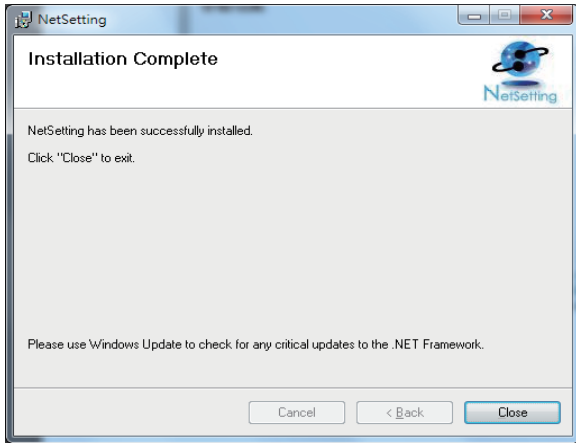


4. Specify the "Installation Folder", then click "Next" to installing.



4 NetSetting for Ethernet

5. Once the installation is completed, you will see the NetSetting icon on your desktop as right diagram.

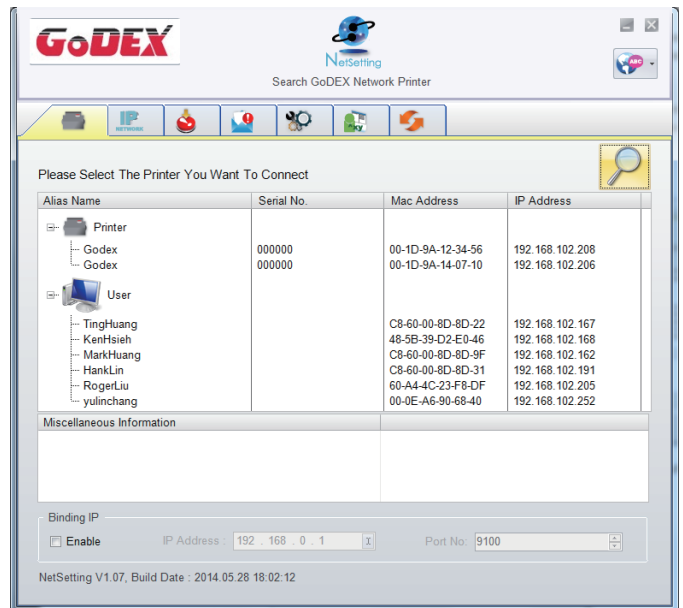
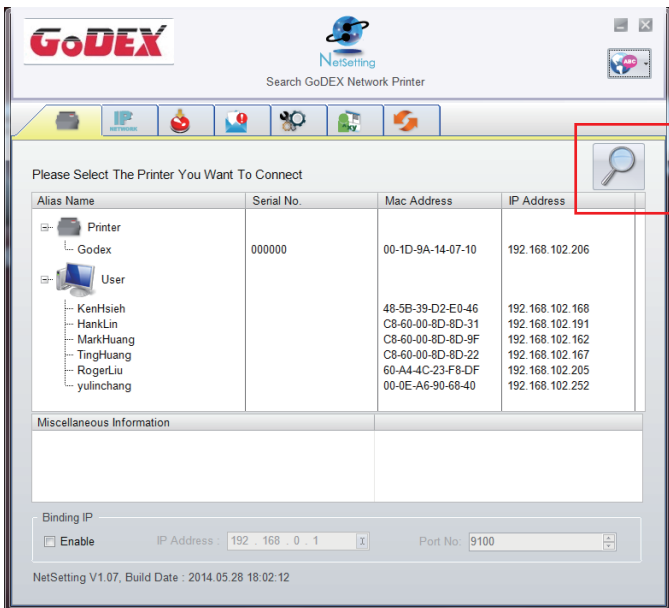


4 NetSetting for Ethernet

4.2 The Interface of NetSetting

GoDEX printer can also be used through a network connection (as a remote network printer), make sure the printer connected to the Internet and the power cord, you can use the Interface of NetSetting to search connected network printers.

1. Click the NetSetting icon to start the program, you will see the start page as left diagram. Click the magnifier icon to search the Godex printers which are connected via Ethernet port in you network environment (as right diagram).



2. There are six tabs on the top of interface which can configure different types of network settings. But for the data security reason, you need correct password to enter the configuration pages.



Note

* The default password is "1111", you can change the password later from the "IP Setting" tab.

4 NetSetting for Ethernet

IP Setting

The IP Setting tab can change the printer name, Port number, Gateway setting and the password for configuring the printer. You can also set the printer's IP address either by DHCP or by Static IP.

The screenshot shows the 'GoDEX NetSetting IP Setting' window. The interface includes a header with the GoDEX logo and 'NetSetting IP Setting' text. A navigation bar contains icons for printer, IP NETWORK, and other settings. The main content area has the following fields and options:

- Printer Name: Length(1~16)
- Port No:
- Default Gateway:
- Password: Length(1~4)
- Get IP From DHCP Server
- Static IP
- IP Address:
- Subnet Mask:

At the bottom, there are two buttons: 'Set' and 'Refresh'.

You can press "Set" button to apply the settings and "ReGet" button to refresh the setting values.

Note

* To fully benefit from the NetSetting software, you should be familiar with basic networking principles. Please contact your network administrator for related network setting information.

* When enabling DHCP, if you find the IP Address as: IP = 169.254.229.88, Netmask = 255.255.0.0, Gateway = invariable (last value), the IP Address is invalid.

4 NetSetting for Ethernet

Alert Path Setting

NetSetting will send the alert messages to designated mail account when the error happened on printer. The alert messages are sent by SMTP (Simple Mail Transfer Protocol) or SNMP (Simple Network Management Protocol). You can set or change the configurations of SMTP and SNMP on this "Alert Path Setting" tab.

GoDEX NetSetting Alert Mail Setting

Enable SMTP Alert Message Notification

Login Account: default Length(1~64)
Login Password: ***** Length(1~16)
Server IP Address: 192 . 168 . 0 . 1 xxx.xxx.xxx.xxx
Mail Subject: Barcode printer message Length(1~60)
Mail From Address: default@default.com Length(1~32)
Mail To Address: default@default.com Length(1~32)
Duration Cycle: 1 0 ~ 168 Hours
Event Counter: 5 1 ~ 100

Enable SNMP Alert Message Notification

SNMP Community: public Length(1~16)
SNMP Trap Community: public Length(1~16)
Trap IP Address: 192 . 168 . 0 . 1 xxx.xxx.xxx.xxx

Set Refresh

You can press "Set" button to apply the settings and "ReGet" button to refresh the setting values.

4 NetSetting for Ethernet

Alert Message Setting

For the alert message notification function, you can decide which error cases need to be sent out to the operator. Moreover, the alert messages can be set to be sent by SMTP, SNMP or both.



You can press "Set" button to apply the settings and "ReGet" button to refresh the setting values.

4 NetSetting for Ethernet

Printer Configuration

Set or change the configurations of connected printer. Most of key settings for the printer operation can be done by this setting page.

The screenshot shows the 'Printer Configuration' window for a GoDEX printer. The window is titled 'Printer Configuration' and has a 'GoDEX' logo and 'NetSetting' icon. Below the title bar is a navigation bar with icons for printer, IP network, power, help, settings, printer status, and refresh. The main content area is divided into two sections: 'Printer Setup' and 'Miscellaneous'. The 'Printer Setup' section contains the following settings:

Printer Model	Tear-off Position	Speed	Darkness
RT860i	16	4	10

Below these are 'Dispenser/Applicator' (0 (None)), 'Labels per Cut' (0), and 'Printing Mode' (Direct Thermal).

The 'Miscellaneous' section is divided into two sub-sections:

Serial Port Setting

Baud Rate	Parity	Data Bits	Stop Bits
9600	None	8	1

Miscellaneous

LCD Language	Sensing Mode	Keyboard Country Code	Pre-Printing	Code Page	Top Of Form	Buzzer
English	2 - Automatic	US	OFF	Code Page 1253	2 - OFF while Power On	ON

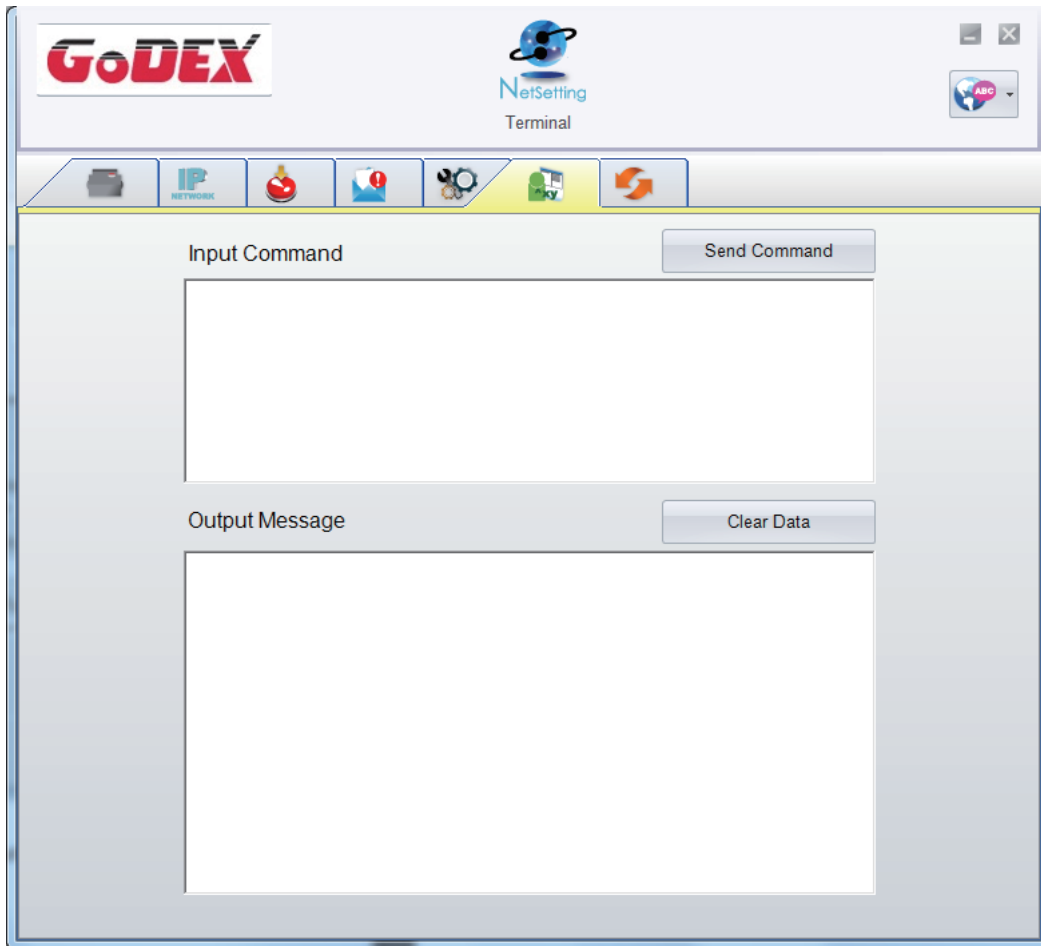
At the bottom of the window are two buttons: 'Set' and 'Refresh'.

You can press "Set" button to apply the settings and "ReGet" button to refresh the setting values.

4 NetSetting for Ethernet

User Command

The "User Command" tab provides a communication interface for operator to control the printer. Input printer commands in "Input Command" window and press "Send Command" button, the commands will be sent to the printer. For some commands that will return response message, the message will be displayed in "Output Message" window.



You can press "Send Command" button to send printer commands via Ethernet port and control the printer remotely.

4 NetSetting for Ethernet

Firmware Download

On "Firmware Download" tab, the current version of printer firmware will be showed on the screen. If you need to update the printer firmware, just specify the file location of firmware file and press "Start Download Firmware" button. The printer firmware then can be updated remotely.



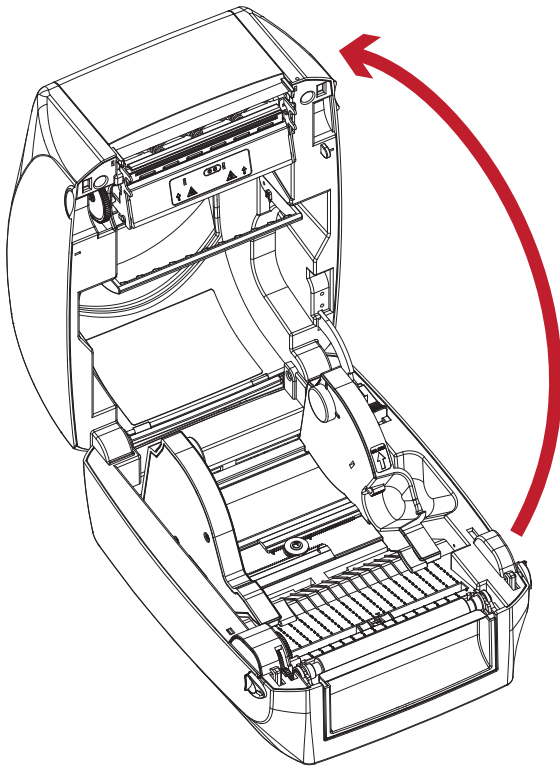
In addition to the firmware update, you can press "Recover To Factory Settings" button to restore the printer configurations back to factory default.

5 Accessories

5.1 Preparation Steps

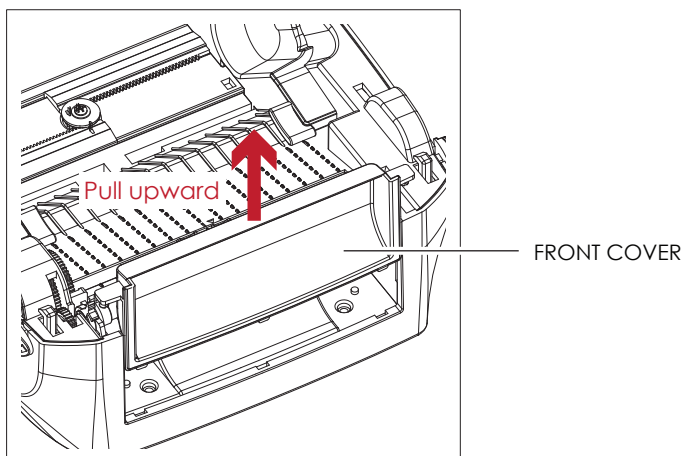
Before installing the optional modules, please make some preparations as follows.

1. Turn off the printer :
Remember to switch off the printer before installing any module.
2. Open the printer cover and the printing mechanism :
Open the printer cover by pulling the release catches on both sides of the printer and lift the cover.
Please see the Section 2.1 for further information about Open the Printer.



The printing mechanism is lifted up with the printer cover

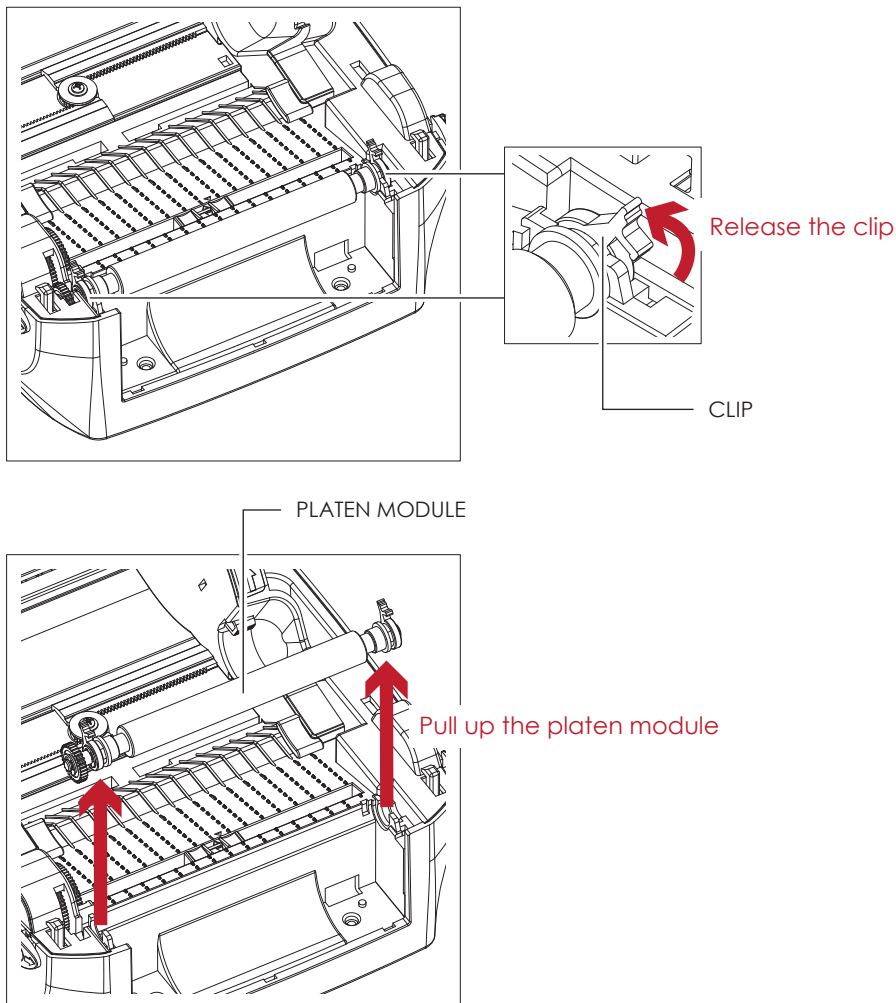
3. Remove the front cover :
Please pull upward to remove the front cover.



5 Accessories

4. Remove the platen :

Lift up the release clips on both sides of the platen to release and pull upward the platen.



5. Ribbon loading :

Please see the Section 2.2 for further information about Loading the Ribbon.

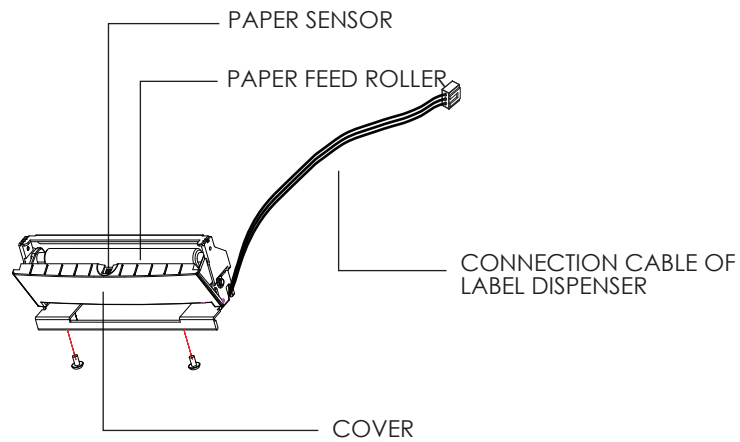
6. Label loading

Please see the Section 2.3 for further information about Loading the Label Roll Module.

5 Accessories

5.2 Installing the Label Dispenser

The Overview of the Label Dispenser

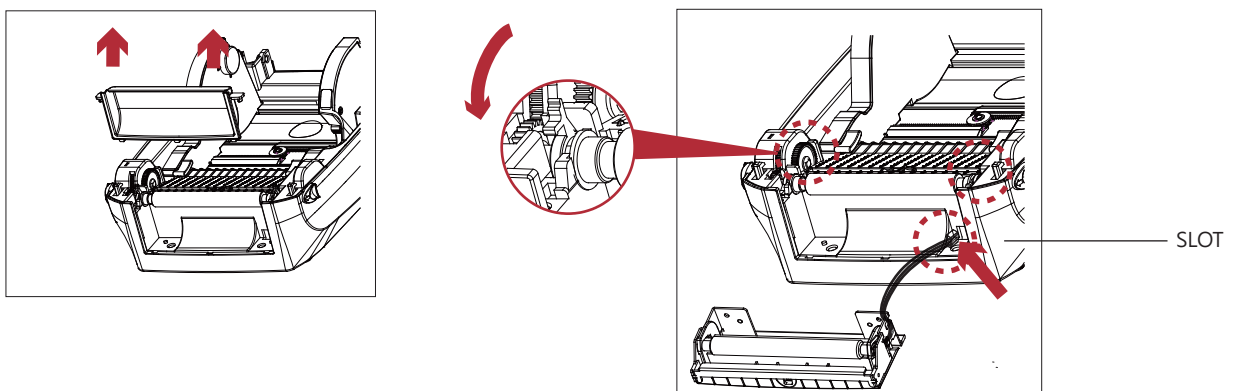


Preparation Steps

Please see the Section 5.1 Preparation Steps to complete the preparation steps before installing the label dispenser.

Installing the Label Dispenser

1. Removed the front panel.
2. Press the catches on the left and right sides of the platen downwards and then pass the connection cable through the slot of the printer.

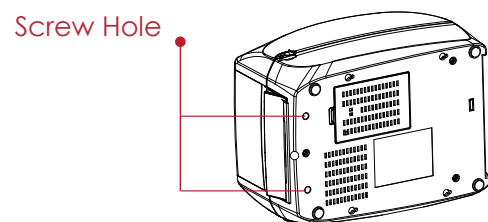
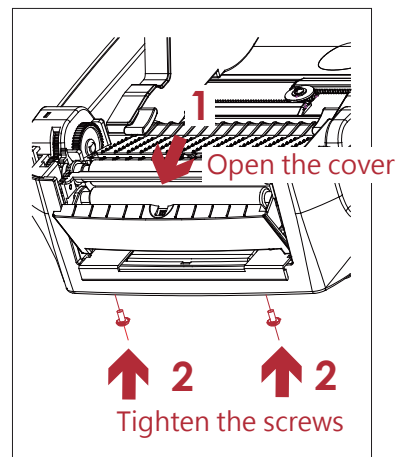
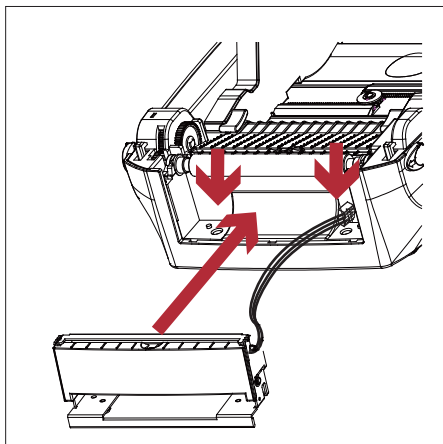


Note

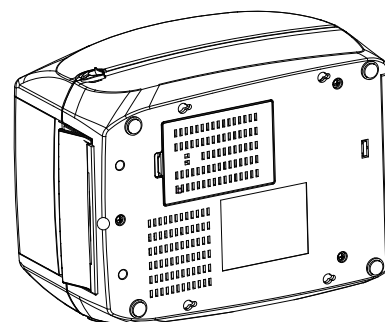
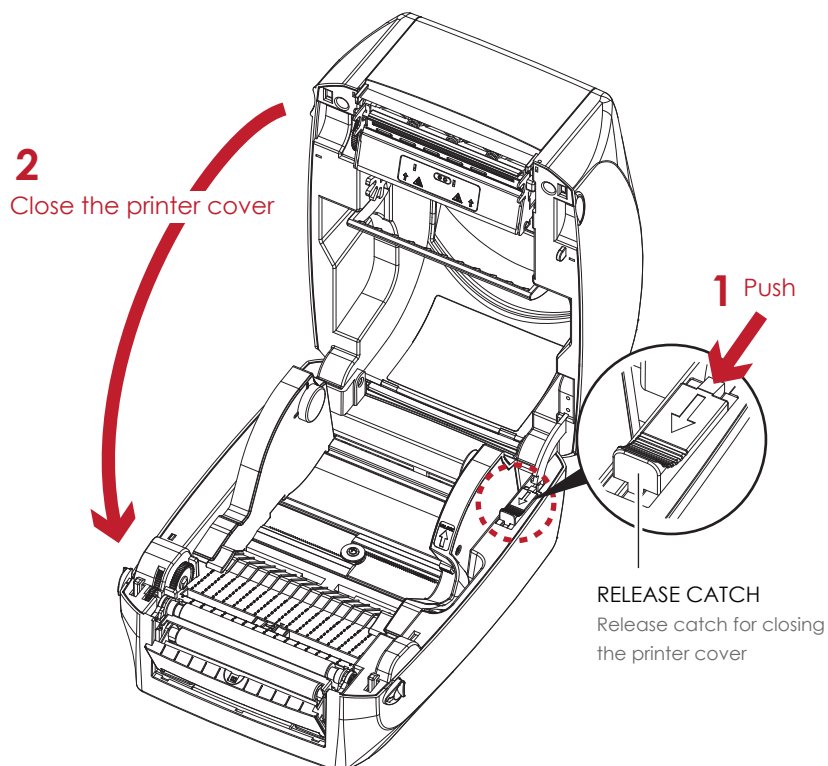
- * A label liner thickness of $0.06 \text{ mm} \pm 10\%$ and a weight of $65 \text{ g/m}^2 \pm 6\%$ are recommended.
- ** The label dispenser will take labels up to a max. width of 118 mm.
- *** When using the label dispenser, set the stop position (printer command ^E) to 13.

5 Accessories

3. Place label dispenser to align both holes of screw.
4. Open the cover of the label dispenser, and then tighten the screws.

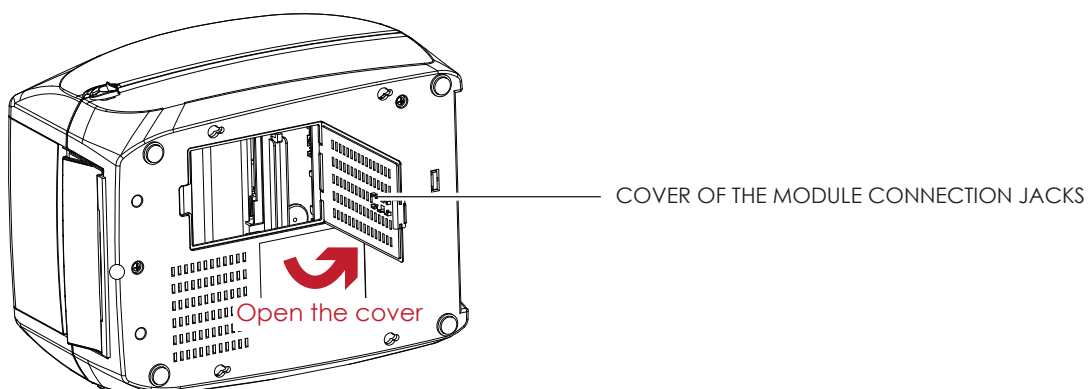


5. Close the printer cover and printing mechanism. Then to turn the printer upside down.

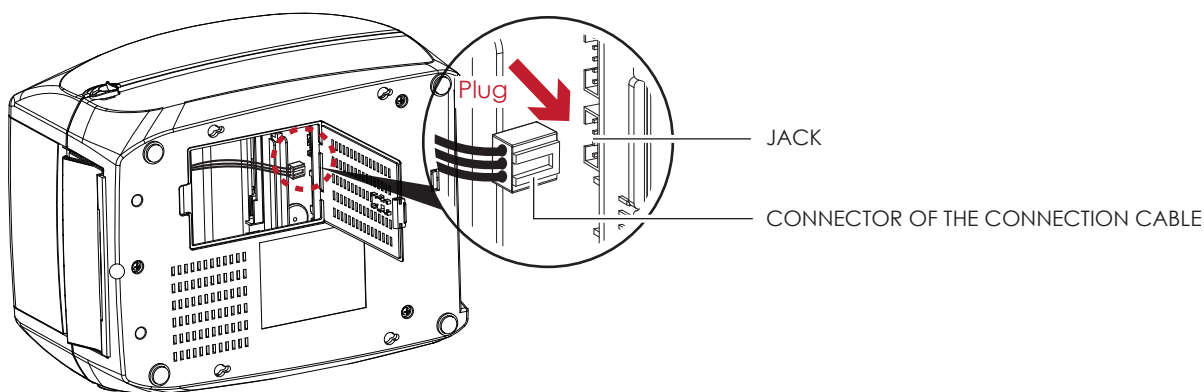


5 Accessories

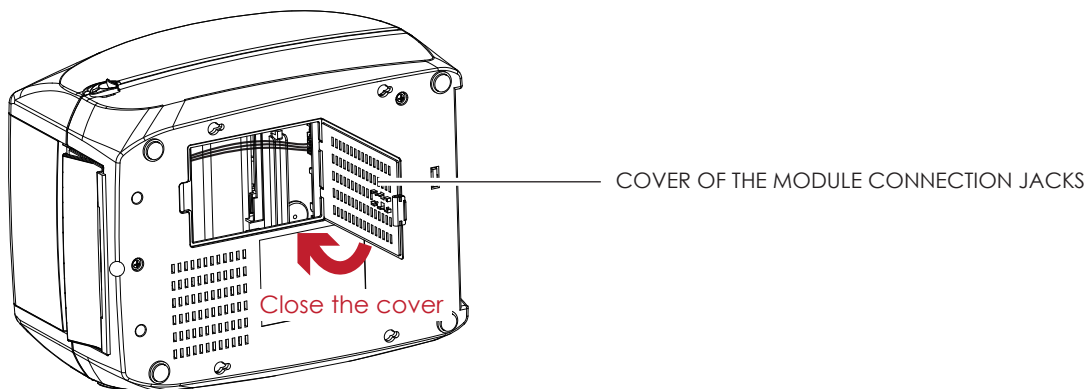
6. Open the cover on the bottom of printer.



7. Plug the connector for the label dispenser to the jack.

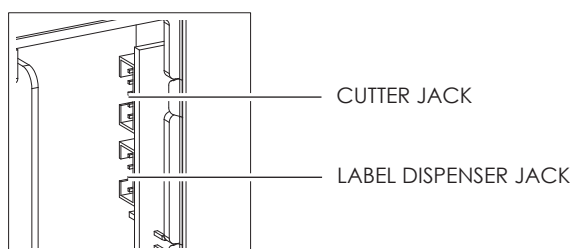


8. Close the cover of the module connection jacks.



Note

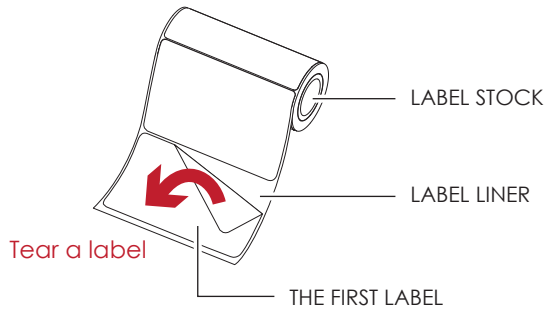
- * The printer must be switched off when plugging the connector, or the motherboard may be destroyed!
- ** There are 2 jacks : the lower jack for the label dispenser, the upper jack for the cutter.



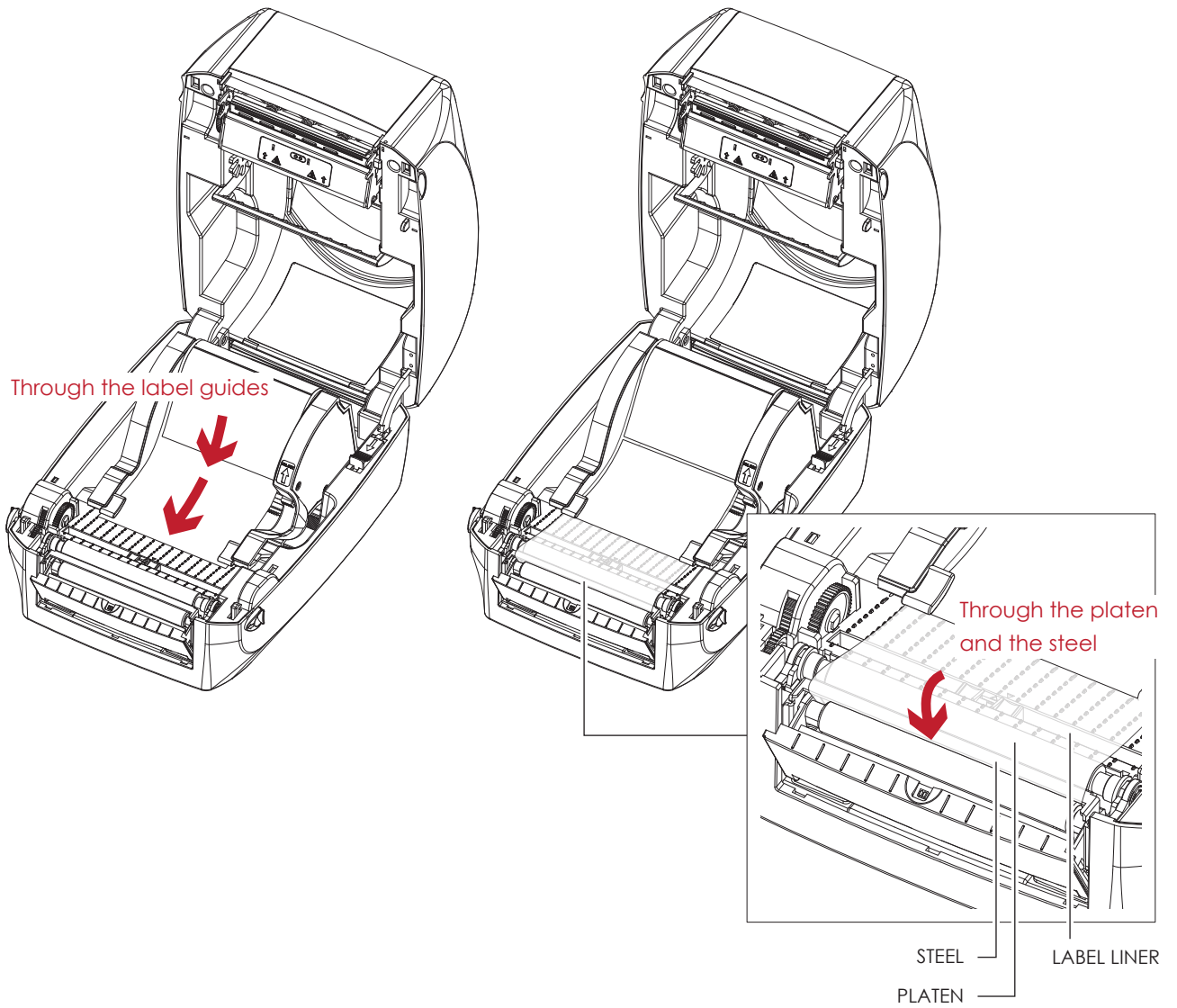
5 Accessories

Loading Label Roll with the C Module

1. Remove the first label from the label stock.



2. Feed the Label stock through the label guides.
And pull the label liner through the platen and the steel of the label dispenser.

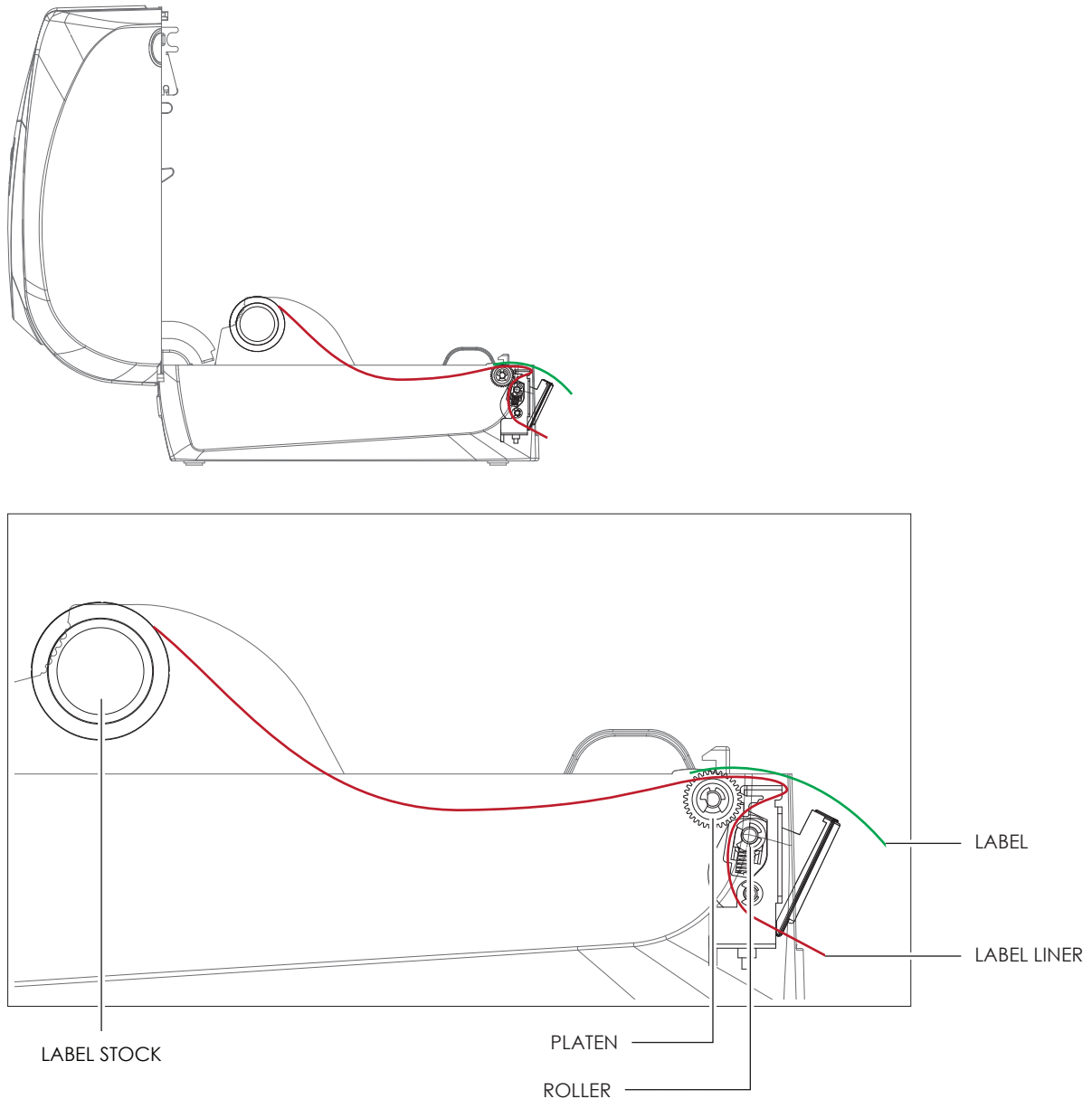


Note

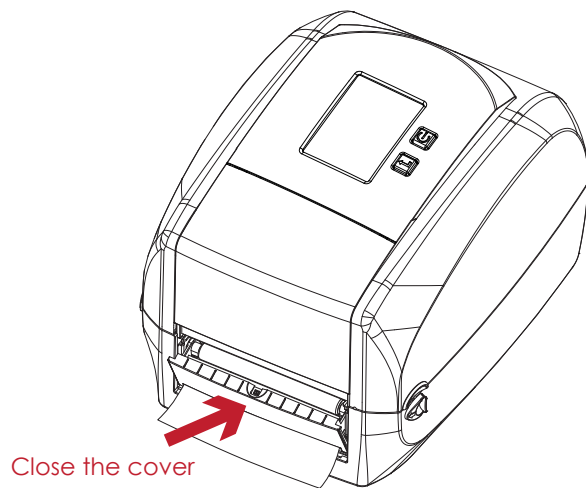
* With Label Dispenser, the labels should be at least 25 mm high.

5 Accessories

3. The feeding path of label and liner should be as shown in below graphic.

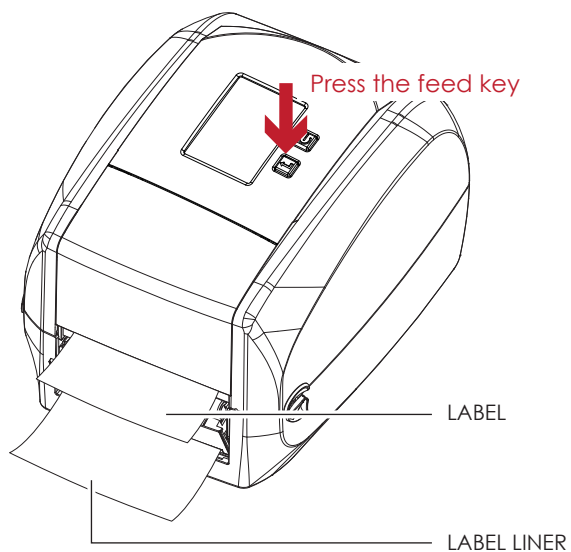


4. Close the label dispenser and printer cover. The installation is completed now.



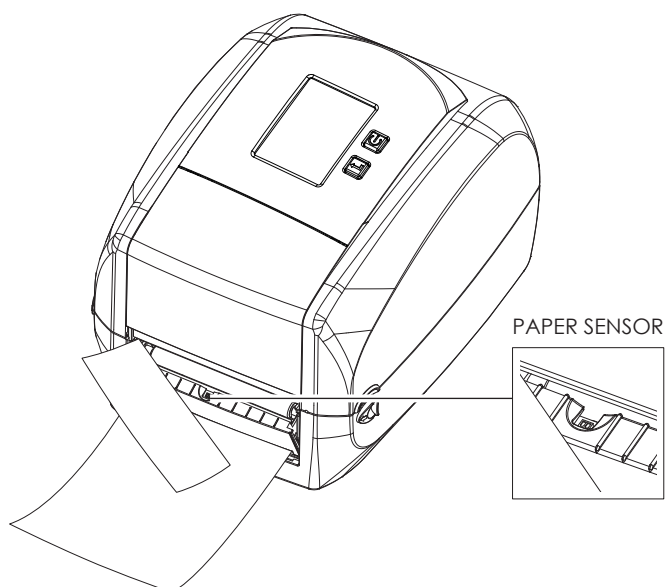
5 Accessories

5. Press the FEED button to feed the label. The label will be peeled from the liner while it passes through the label dispenser.



Note

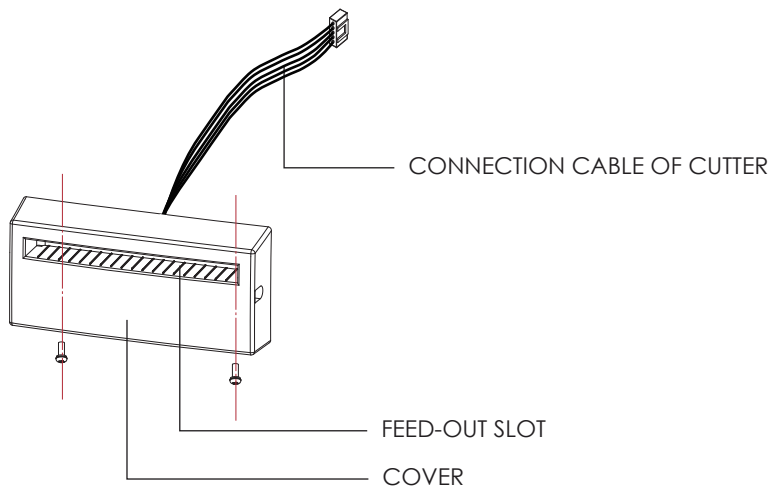
- * There is a paper sensor on the Label Dispenser module. It will stop the printing if it is covered by label. Remove the last printed label and the printer will then continue to print next label.



5 Accessories

5.3 Installing the Cutter

The Overview of the Cutter

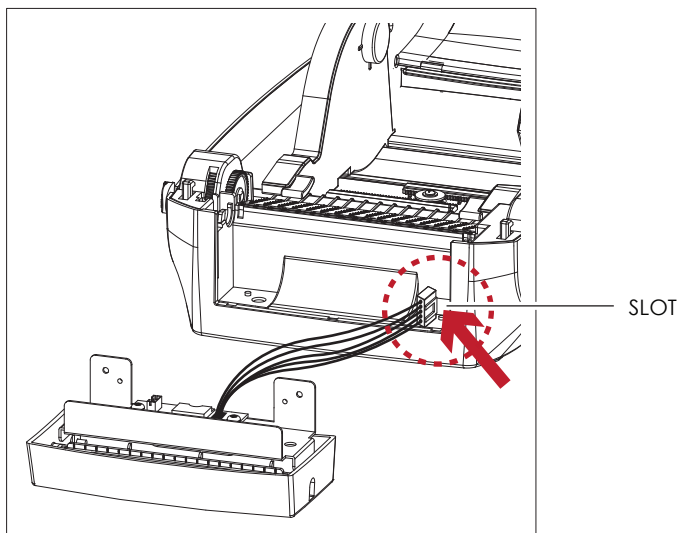


Preparation Steps

Please see the Section 5.1 Preparation Steps to complete the preparation steps before installing the cutter.

Installing the Cutter

1. Pass the connection cable through the slot of the printer.

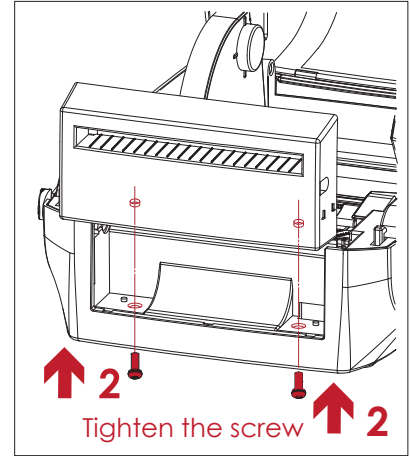
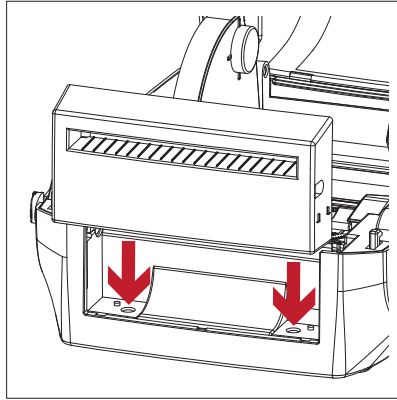
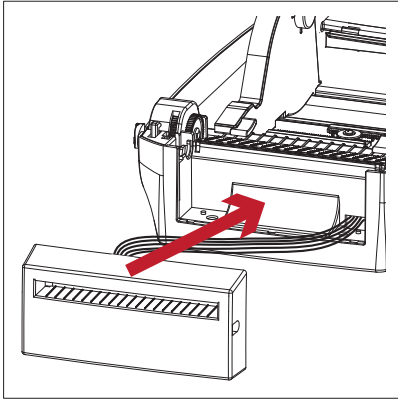


Note

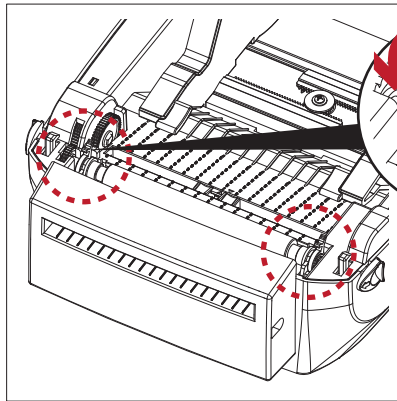
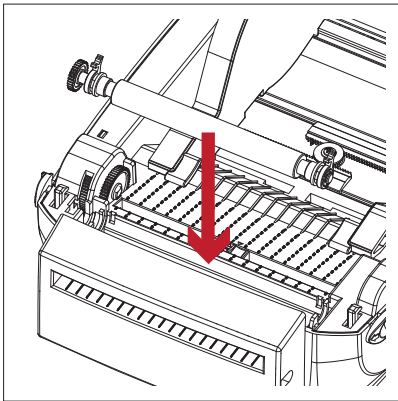
- * Remember to switch off the printer before installing the cutter.
- ** Do not use to cut adhesive labels! Glue residue will be left on the cutter blade and impair its functioning. The cutter has a blade life of 400,000 cuts when using paper liner which is 250µm thick and 76.2mm (3 inches) wide.
- *** You can cut paper with a max. width of 118mm.
- ****With the cutter installed, set the stop position in Qlabel to 30, and the E value to 30.

5 Accessories

2. Place the cutter to align both holes of screw and then tighten the screws.
(Screw holes on the front side of the bottom barcode Printer)



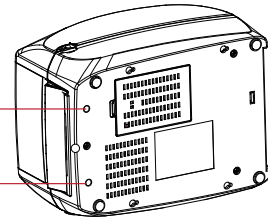
3. Place the platen back to the printer and lock the clips.



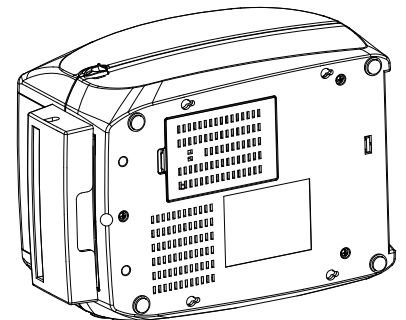
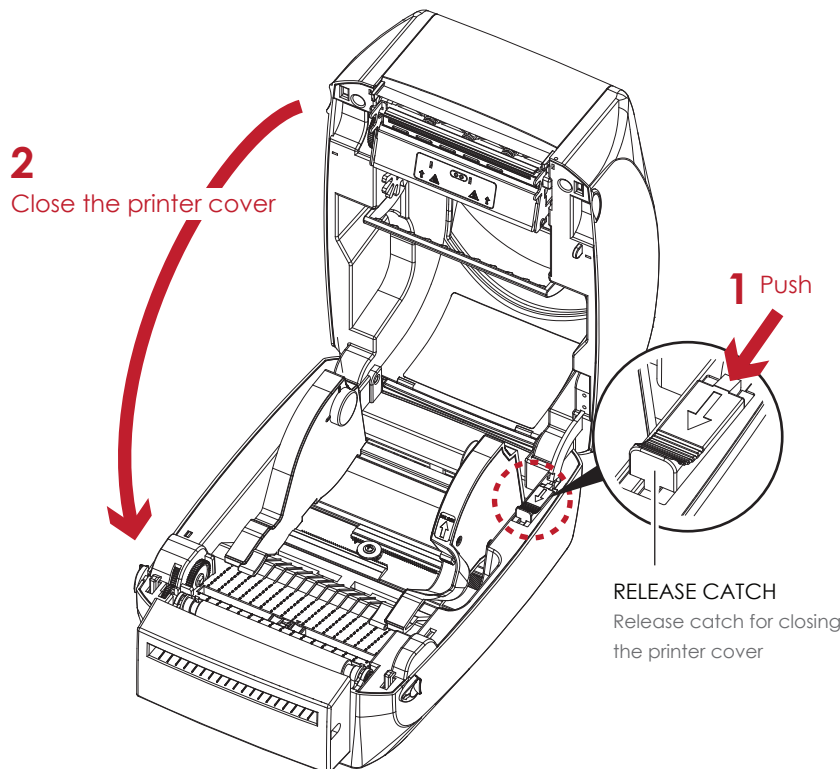
Screw Hole

Lock the clip

CLIP

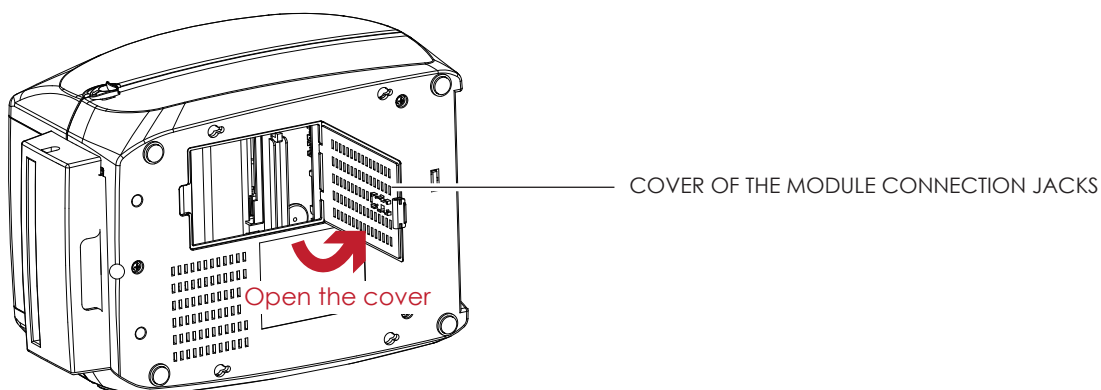


4. Close the printer cover and printing mechanism.
Then to turn the printer upside down.

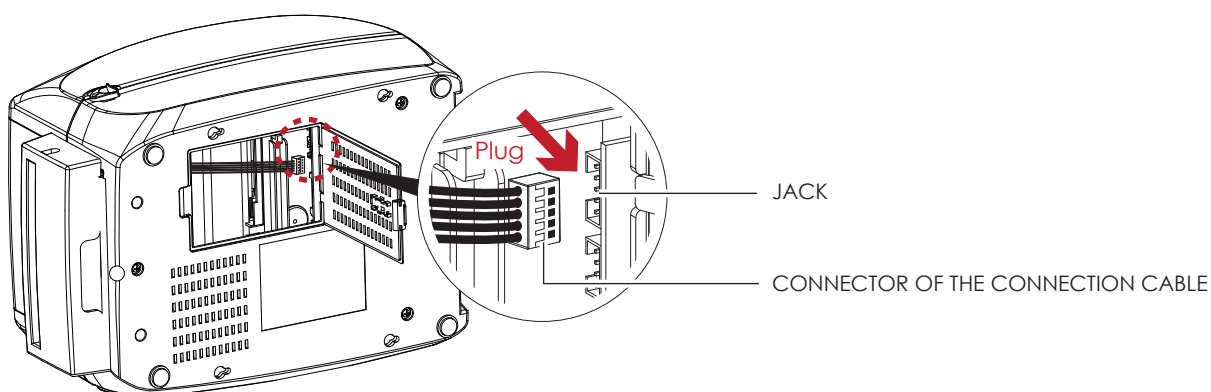


5 Accessories

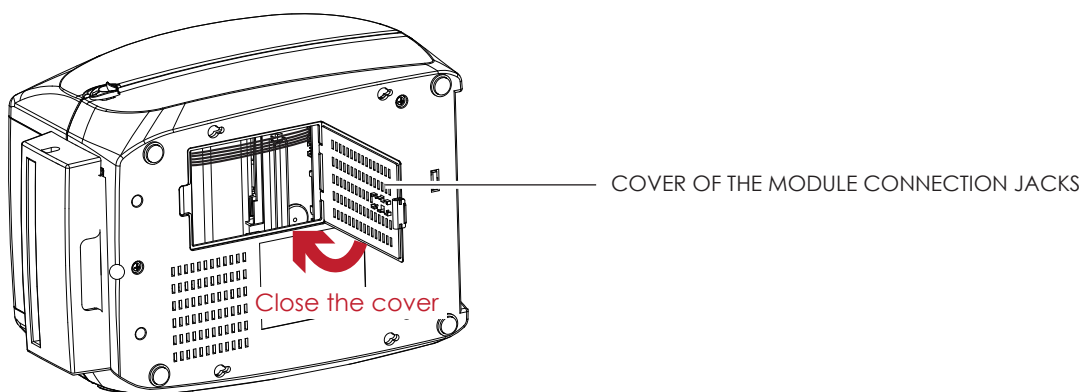
5. Open the cover on the bottom of printer.



6. Plug the connector for the cutter to the jack.

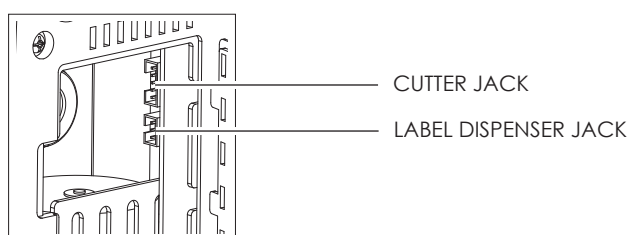


7. Close the cover of the module connection jacks.



Note

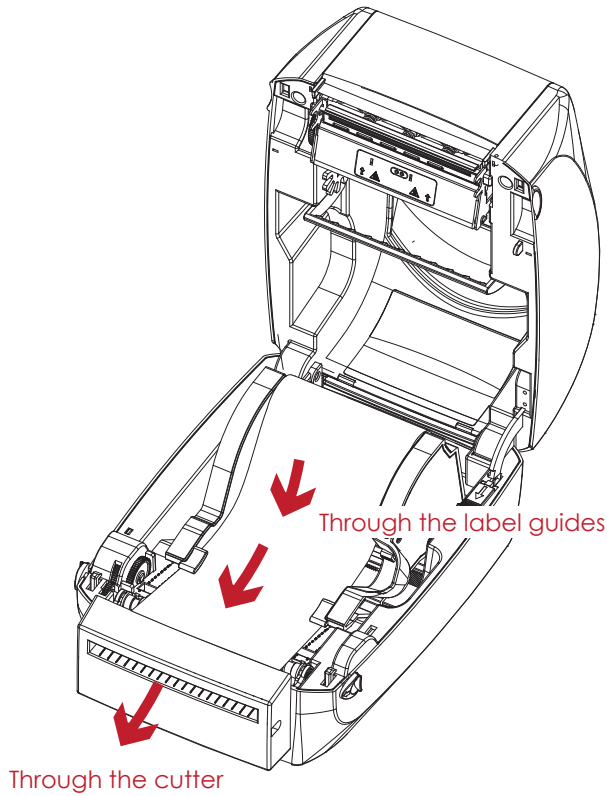
- * The printer must be switched off, or the motherboard may be destroyed!
** There are 2 jacks : the lower jack for the label dispenser, the upper jack for the cutter.



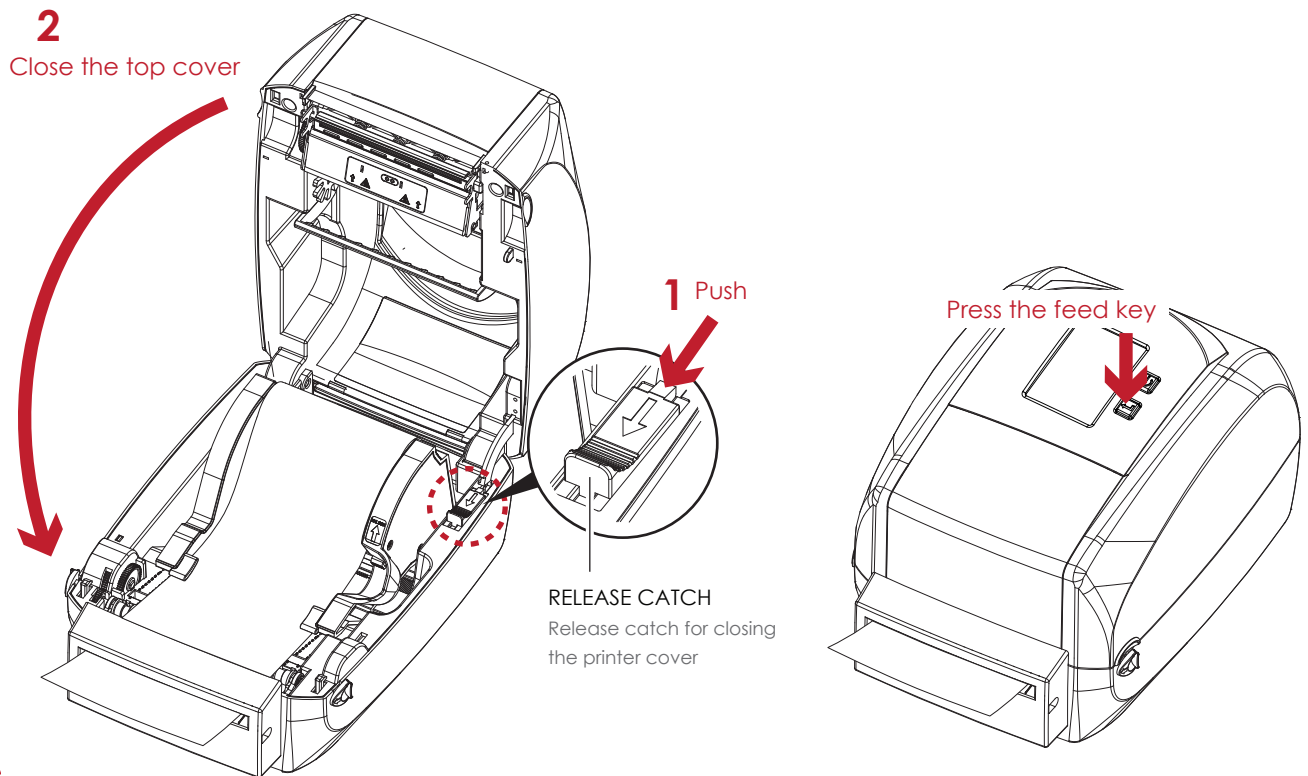
5 Accessories

Installing the Label Roll Module on the Printer

1. Pass the labels through the guides and the cutter.



2. Close the top cover and printing mechanism. To finish, press the FEED button to set the label position.



Note

- * We advise against using inside wound label stock.
- ** Labels should be at least 30 mm high. When using the printer with the cutter, you should set the stop position (^E) to 30.

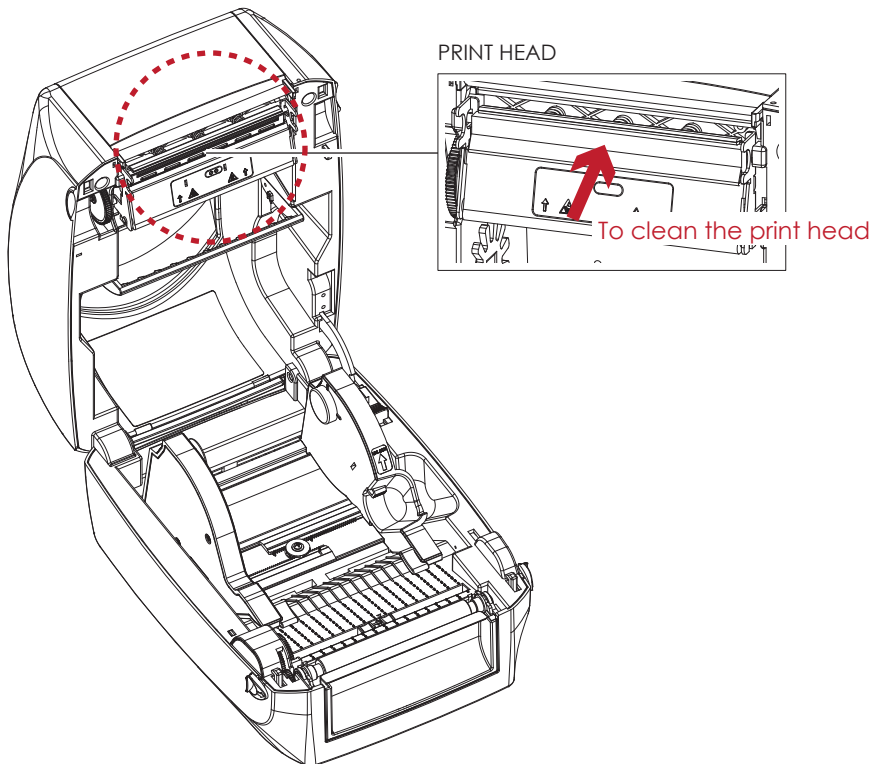
6 Maintenance and Adjustment

6.1 Cleaning the Print Head

Dirt on the print head or ribbon may result in inadequate print quality (there are only partial images on the label). The printer cover should therefore be kept closed when possible. Keeping dirt and dust away from the paper or labels ensures a good print quality and a longer lifespan of the print head.

Cleaning Steps

1. Switch off the printer.
2. Open the printer cover.
3. Remove the ribbon.
4. To remove any label residue or other dirt from the print head (see Red arrow), please use a soft lint-free cloth dipped in alcohol to wipe.



Note

- * Weekly to clean the print head one time. (Recommended)
- ** When cleaning the print head, please note that if there is attached to metal or hard on soft cloth, if using a dirty soft cloth made printer head damage is not covered under warranty conditions.

6 Maintenance and Adjustment

6.2 Troubleshooting

Problem	Solution
The printer is switched on but the LED does not light up.	<ul style="list-style-type: none"> ◆ Check the power supply. Please see the Section 2.4
The LED lights up red and printing is interrupted.	<ul style="list-style-type: none"> ◆ Check the software settings (driver settings) or command codes. ◆ Look for the error alert in the table in Section 3.3. Error Alerts. ◆ Check whether the print mechanism is closed correctly. Please see the Section 3.3
The label stock passes through the printer but no image is printed.	<ul style="list-style-type: none"> ◆ Please make sure that the label stock is loaded the right side up and that it is the suitable material. ◆ Choose the correct printer driver. ◆ Choose the correct label stock and a suitable printing mode.
The label stock jams during printing.	<ul style="list-style-type: none"> ◆ Clear the paper jam. Remove any label material left on the thermal print head and clean the print head using a soft lint-free cloth dipped in alcohol. Please see the Section 6.1
There is no printed image on some parts of the label.	<ul style="list-style-type: none"> ◆ Check whether there is any label material or ribbon stuck to the thermal print head. ◆ Check for errors in the application software. ◆ Check whether the starting position has been set correctly. ◆ Check the ribbon for wrinkles. ◆ Check the power supply is correct
There is no printed image on part of the label or the image is blurred.	<ul style="list-style-type: none"> ◆ Check the thermal print head for dust or other dirt. ◆ Use the internal "~T" command to check whether the thermal print head will carry out a complete print job. ◆ Check the quality of the print medium.
The printed image is positioned incorrectly.	<ul style="list-style-type: none"> ◆ Check whether there is paper or dust covering the sensor. ◆ Check whether the label stock is suitable. Contact your supplier. ◆ Check the paper guide settings.
Skipping labels during printing.	<ul style="list-style-type: none"> ◆ Check the label height setting. ◆ Check whether there is dust covering the sensor. ◆ Run the auto-detection function. Please see the Section 3.2
The printed image is blurred.	<ul style="list-style-type: none"> ◆ Check the darkness setting. ◆ Check the thermal print head for dust or dirt. Please see the Section 6.1
The cutter does not cut off the labels in a straight line.	<ul style="list-style-type: none"> ◆ Check whether the label stock is positioned straight.
The cutter does not cut off the labels completely.	<ul style="list-style-type: none"> ◆ Check whether the label is more than 0.2 mm thick.
When using the cutter, the labels are not fed through or cut off incorrectly.	<ul style="list-style-type: none"> ◆ Check whether the cutter has been correctly installed. ◆ Check whether the paper guides are functioning correctly.
The label dispenser is not functioning normally.	<ul style="list-style-type: none"> ◆ Check whether there is dust on the label dispenser. ◆ Check whether the label stock is positioned correctly.

Note

* If this does not resolve the problem, contact your dealer.

RT860i/RT863i
USER MANUAL
Appendix

PRODUCT SPECIFICATIONS

Model Name	RT860i	
Print Method	Thermal Transfer / Direct Thermal	
Resolution	600 (23.6 dot/mm)	
Print Speed	3 IPS (76.2 mm/s)	
Print Width	4.16" (105.6 mm)	
Print Length	Min. 0.16" (4 mm)** – Max. 15" (381 mm)	
Processor	ARM9 CPU	
Memory	Flash	128 MB Flash (60 MB for user storage)
	SDRAM	32 MB
Sensor Type	Adjustable reflective sensor (full range). Fixed transmissive sensor, central aligned.	
Media	Type	Continuous form, gap labels, black mark sensing, and punched hole; label length set by auto sensing or programming
	Width	Min. 1" (25.4 mm) – Max. 4.64" (118 mm)
	Thickness	Min. 0.003" (0.06 mm) – Max. 0.008" (0.20 mm)
	Label roll diameter	Max. 5" (127 mm)
	Core diameter	1" (25.4 mm), 1.5" (38.1 mm)
Ribbon	Types	Wax, wax / resin, resin
	Length	360" (110 m)
	Width	Min. 1.18" (30 mm) – Max. 4.33" (110 mm)
	Ribbon roll diameter	1.57" (40 mm)
	Core diameter	0.5" (12.7 mm)
Printer Language	EZPL, GEPL, GZPL auto switch	
Software	Label design software	GoLabel (for EZPL only)
	Driver	Windows XP, Vista, Win7, Server 2003 & 2008
	DLL	Windows XP, Vista, Win7, Server 2003 & 2008
Resident Fonts	Bitmap Fonts	6, 8, 10, 12, 14, 18, 24, 30, 16X26 and OCR A&B Bitmap fonts 90°, 180°, 270° rotatable, single characters 90°, 180°, 270° rotatable Bitmap fonts 8 times expandable in horizontal and vertical directions
	Scalable Fonts	90°, 180°, 270° rotatable
Download Fonts	Bitmap Fonts	Bitmap fonts 90°, 180°, 270° rotatable, single characters 90°, 180°, 270° rotatable
	Asian Fonts	Asian fonts 90°, 180°, 270° rotatable and 8 times expandable in horizontal and vertical directions
	Scalable Fonts	Scalable fonts 90°, 180°, 270° rotatable
Barcodes	1-D Bar Codes	Code 39, Code 93, EAN 8 / 13 (add on 2 & 5), UPC A / E (add on 2 & 5), I 2 of 5 & I 2 of 5 with Shipping Bearer Bars, Codabar, Code 128 (Subset A, B, C), EAN 128, RPS 128, UCC 128, UCC / EAN-128 K-Mart, Random Weight, Post NET, ITF 14, China Postal Code, HIBC, MSI, Plessey, Telepen, FIM, GS1 DataBar
	2-D Bar Codes	PDF417, Micro PDF417, Datamatrix code, Maxicode, QR code, Micro QR code and Aztec code
Code Pages	Codepage 437, 850, 851, 852, 855, 857, 860, 861, 862, 863, 865, 866, 869, 737 Windows 1250, 1251, 1252, 1253, 1254, 1255, 1257 Unicode (UTF8 · UTF16)	
Graphics	Resident graphic file types are BMP and PCX, other graphic formats are downloadable from the software	
Interfaces	Serial port: RS-232 (DB-9) USB 2.0 Device port (B-Type) IEEE 802.3 10/100Base-Tx Ethernet port (RJ45) USB Host (A-Type) Parallel Port (Mini-Centronics)	
Control Panel	3.2" Touch Color LCD Calibration button Control key: FEED Power on/off button	
Real Time Clock	Standard	
Environment	Power	Auto Switching 100-240V AC, 50-60Hz
	Operation temperature	41°F to 104°F (5°C to 40°C)
Humidity	Storage temperature	-4°F to 122°F (-20°C to 50°C)
	Operation	20-85%, non-condensing
Agency Approvals	Storage	10-90%, non-condensing
	Agency Approvals	CE (EMC) · FCC Class A · CB · cUL · CCC
Dimension	Length	280 mm (11.0")
	Height	195 mm (7.7")
	Width	210 mm (8.3")
Weight	5.9 lbs (2.7 Kg), excluding consumables	
Options	Label dispenser with label taken sensor module Cutter module External label unwinder External label rewinder Bluetooth module (distributor install) WiFi printer server module (distributor install)	

* Specifications are subject to change without notice. All company and/or product names are trademarks and/or registered trademarks of their respective owners.

** Minimum print height and maximum print speed specification compliance can be dependent on non-standard material variables such as label type, thickness, spacing, liner construction, etc. Godex is pleased to test non-standard materials for minimum print height and maximum print speed capability.

RT860i/RT863i
USER MANUAL
Appendix

PRODUCT SPECIFICATIONS

Model	RT863i	
Print Method	Thermal Transfer / Direct Thermal	
Resolution	600 dpi (24 dots/mm)	
Print Speed	3 IPS (76.2 mm/s)**	
Print Width	4.16" (105.6 mm)	
Print Length	Min. 0.16" (4 mm)**; Max. 15" (381 mm)	
Processor	32 Bit RISC CPU	
Memory	Flash	128 MB Flash (60 MB for user storage)
	SDRAM	32 MB
Sensor Type	Adjustable reflective sensor (full range), Fixed transmissive sensor, central aligned	
Media	Types	Continuous form, gap labels, black mark sensing, and punched hole; label length set by auto sensing or programming
	Width	Min. 0.79" (20.0 mm) – Max. 4.64" (118 mm)
	Thickness	Min. 0.003" (0.076 mm) – Max. 0.008" (0.20 mm)
	Label Roll Diameter	Max. 5" (127 mm)
	Core Diameter	1" (25.4 mm), 1.5" (38.1mm)
Ribbon	Types	Wax, wax / resin, resin
	Length	984.25' (300 m)
	Width	1.18" Min. - 4.33" (30 mm - 110 mm) Max.
	Ribbon Roll Diameter	2.67" (68 mm)
	Core Diameter	1" (25.4 mm)
Printer Language	EZPL, GEPL, GZPL auto switch	
Software	Label Design	GoLabel (for EZPL only)
	Software	
	Driver	Windows 2000, XP, Vista, Windows 7, 8.1 and 10, Windows Server 2003 & 2008, MAC, Linux
Resident Fonts	DLL	Win CE, .NET, Android, Windows Mobile, Windows 2000 / XP / VISTA / Windows 7 / Windows 8.1
	Bitmap Fonts	6, 8, 10, 12, 14, 18, 24, 30, 16X26 and OCR A & B Bitmap fonts 90°, 180°, 270° rotatable, single characters 90°, 180°, 270° rotatable Bitmap fonts 8 times expandable in horizontal and vertical directions
	TTF Fonts	TTF Fonts (Bold / Italic / Underline), 0°,90°, 180°, 270° rotatable
Download Fonts	Bitmap Fonts	Bitmap fonts 90°, 180°, 270° rotatable, single characters 90°, 180°, 270° rotatable
	Asian Fonts	16x16, 24x24. Traditional Chinese (BIG-5), Simplified Chinese(GB2312), Japanese (S-JIS), Korean (KS-X1001) 90°, 180°, 270° rotatable and 8 times expandable in horizontal and vertical directions
	TTF Fonts	TTF Fonts (Bold / Italic / Underline), 0°,90°, 180°, 270° rotatable
Barcodes	1-D Bar codes	China Postal Code, Codabar, Code 11, Code 32,Code 39, Code 93, Code 128 (subset A, B, C), EAN-8, EAN-13, EAN 8/13 (with 2 & 5 digits extension), EAN 128, FIM, German Post Code, GS1 DataBar, HIBC, Industrial 2 of 5, Interleaved 2-of-5 (I 2 of 5), Interleaved 2- o-f 5 with Shipping Bearer Bars, ISBT – 128, ITF 14, Japanese Postnet, Logmars, MSI, Postnet, Plessey, Planet 11 & 13 digit, RPS 128, Random Weight, Standard 2 of 5, Telepen, UPC-A, UPC-E, UPC-A and UPC-E with EAN 2 or 5 digit extension, UCC 128, UCC/EAN-128 K-Mart
	2-D Bar codes	Aztec code, Code 49,Codablock F, Datamatrix code, MaxiCode, Micro PDF417, Micro QR code, PDF417,QR code, TLC 39
Code Pages	CODEPAGE 437, 737,850, 851, 852, 855, 857, 860, 861, 862, 863, 865, 866, 869, WINDOWS 1250, 1251, 1252, 1253, 1254, 1255, 1257 Unicode UTF8, UTF16BE, UTF16LE	
Graphics	Resident graphic file types are BMP and PCX, other graphic formats are downloadable from the software	
Interfaces	Serial port:	RS-232 (DB-9)
	USB Device port (B-Type)	
	IEEE 802.3 10/100 Base-Tx Ethernet port (RJ-45)	
	USB Host (A-Type)	
Control Panel	Parallel Port (Mini-Centronics)	
	Backlight 3.2" Touch Screen LCD	
	Calibration button	
	Control Key : FEED	
Power	Power on/standby button	
	Switching power	100-240VAC, 50-60Hz input
	Operation Temperature	41°F to 104°F (5°C to 40°C)
Environment	Storage Temperature	-4°F to 140°F (-20°C to 60°C)
	Operation	25-85%, non-condensing.
Humidity	Storage	10-90%, non-condensing.
	Agency Approvals	CE (EMC), FCC Class A, CB, UL, cUL
Dimension	Length	11.0" (280 mm)
	Height	7.7" (195 mm)
	Width	8.3" (210 mm)
Weight	5.9 lbs (2.7 Kg), excluding consumables	
Options	Label dispenser	
	Cutter	
	External label unwind Stand	
	External label rewinder	
	Bluetooth	
	Wireless LAN (IEEE 802.11 b/g/n)	
Real Time Clock (RTC)		

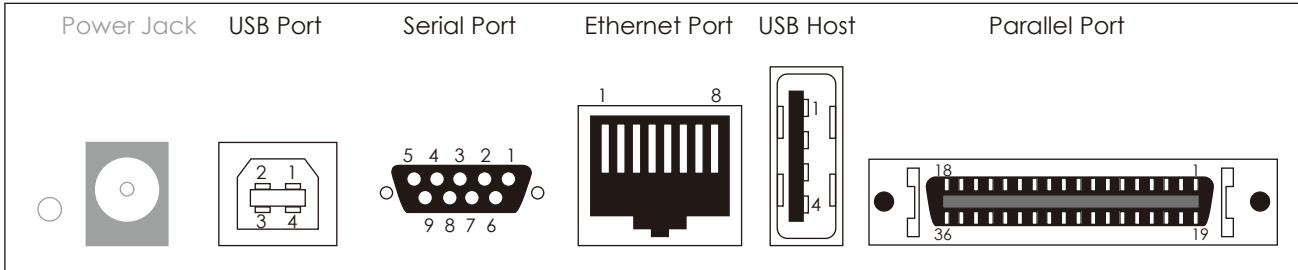
*Specifications are subject to change without notice. All company and/or product names are trademarks and/or registered trademarks of their respective owners.

**Minimum print height and maximum print speed specification compliance can be dependent on non-standard material variables such as label type, thickness, spacing, liner construction, etc. GoDEX is pleased to test non-standard materials for minimum print height, and maximum print speed capability.

Appendix

Communication Port Specifications

Pinout Description





• USB Port

Connector Type : Type B

Pin NO.	1	2	3	4
	NC	D-	D+	GND

• Serial Port

Default Settings : Baud rate 9600, no parity, 8 data bit, 1 stop bit, XON/XOFF Protocol and RTS/CTS

RS232 Housing (9-pin to 9-pin)										
Pin NO.	1	2	3	4	5	6	7	8	9	Type
	+5V, max 500mA	TXD	RXD	N/C	GND	RTS	CTS	RTS	N/C	DB9 Plug
	-	RXD	TXD	DTR	GND	DSR	RTS	CTS	RI	DB9 Socket

• Ethernet Port

Type : RJ45

Pin NO.	1	2	3	4	5	6	7	8
	TX+	TX-	RX+	NC	NC	RX-	NC	NC

• USB Host

Connector Type : Type A

Pin NO.	1	2	3	4
	VBUS	D-	D+	GND

• Parallel Port

Type : Centronics Female

Pin NO.	1	2	3	4	5	6	7	8	9	10	11	12	13	14	15	16	17	18
	BUZY	SELECT	ACK	FAULTN	LPT PERR	DATA0	DATA1	DATA2	DATA3	DATA4	DATA5	DATA6	DATA7	LPT INTN	STROB	SELIN	AUTO	NC
Pin NO.	19	20	21	22	23	24	25	26	27	28	29	30	31	32	33	34	35	36
	GND	GND	GND	GND	GND	GND	GND	GND	GND	GND	GND	GND	GND	GND	GND	GND	GND	5V

Note

* Serial port total output can not exceed the maximum current of 500mA

Appendix

FILE MANIPULATION WHEN USING USB STICK

File Manipulation

The files in both devices (USB memory stick and printer internal Flash memory) are able to copy and move by the commands '~MCPY' and '~MMOV' that sends from GoLabel on a PC via either connection - USB or Ethernet ports.

- Copy

Syntax	~MCPY,s:o.x,d:o.x
Description	Copy file from USB memory stick to Flash memory, or vise-versa
Parameter	<p>s = source device of stored object;</p> <ul style="list-style-type: none"> ● "D" for USB memory stick; "F" for internal Flash memory <p>d = destination device of stored object</p> <ul style="list-style-type: none"> ● "D" for USB memory stick; "F" for internal Flash memory <p>o = object name (file name); the name "o" is substituted for "*"</p> <p>x = extension (file type), the type "x" is substituted by "**", or following either one: D= database, A= Asia font, C= TTF font, E= Bit-Mapped font, F= label format, G= graphic, S= serial file, T= text, B= Unicode Table.</p>
Example	<p>~MCPY,F:*.F,D:*.F (Copy entire "Label Format" files from Flash memory to USB memory stick)</p> <p>~MCPY,D:*.G,F:*.G (Copy entire "Graphic" files from USB memory stick to Flash Memory)</p> <p>~MCPY,D:*.*,F:*. * (Copy all object files from USB memory stick to Flash Memory)</p>

- Move

Syntax	~MMOV,s:o.x,d:o.x
Description	Move files from USB memory stick to Flash memory or vise-versa
Parameter	<p>s = source device of stored object;</p> <ul style="list-style-type: none"> ● "D" for USB memory stick; "F" for internal Flash memory <p>d = destination device of stored object</p> <ul style="list-style-type: none"> ● "D" for USB memory stick; "F" for internal Flash memory <p>o = object name (file name); the name "o" is substituted for "*"</p> <p>x = extension (file type), the type "x" is substituted by "**", or following either one: D= database, A= Asia font, C= TTF font, E= Bit-Mapped font, F= label format, G= graphic, S= serial file, T= text, B= Unicode Table.</p>
Example	<p>~MMOV,F:*.F,D:*.F (Move entire "Label Format" files from Flash memory to USB memory stick)</p> <p>~MMOV,D:*.G,F:*.G (Move entire "Graphic" files from USB memory stick to Flash Memory)</p> <p>~MMOV,D:*.*,F:*. * (Move all object files from USB memory stick to Flash Memory)</p>

RT860i/RT863i
USER MANUAL
Appendix
Bluetooth setting

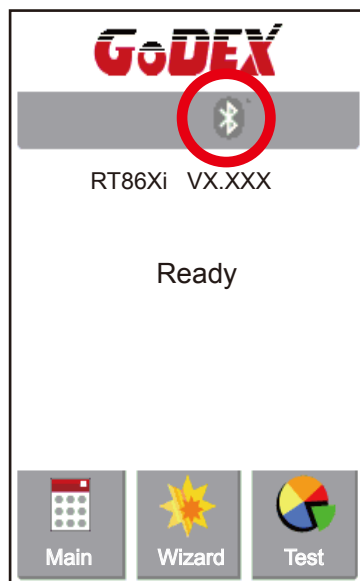
Steps for setting bluetooth module

Step 1. Power off the printer

Step 2. Install the Bluetooth module

Note : Methods for installing Bluetooth module, please refer to Bluetooth module manual.

Step 3. A gray Bluetooth icon will be displayed in the main page after switching on the printer and it indicates that the printer has detected the Bluetooth module.



RT860i/RT863i
USER MANUAL
Appendix
Bluetooth setting

Steps for setting Bluetooth keyboard

Active the Bluetooth keyboard to be detectable

Step 1. Press "Connect" button. After connecting to a Bluetooth keyboard, the printer will detect Bluetooth keyboard automatically, as the figure indicates below.



Step 2. The indicator at the upper left corner of Bluetooth keyboard will flash blue when it has been detected.



Step 3. The indicator will stop flashing if the Bluetooth keyboard connects to printer properly.

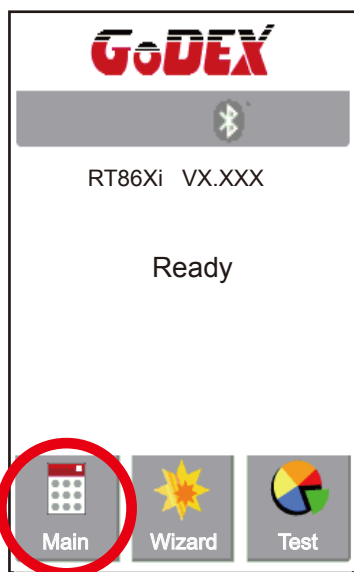


RT860i/RT863i
USER MANUAL
Appendix
Bluetooth setting

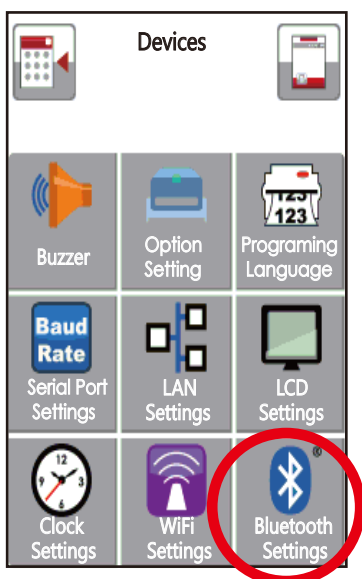
Steps for setting bluetooth connection on the LCD panel

Step 1. Turn on the printer and
LCD panel will display " Main menu"

Step 2. Select " Main"



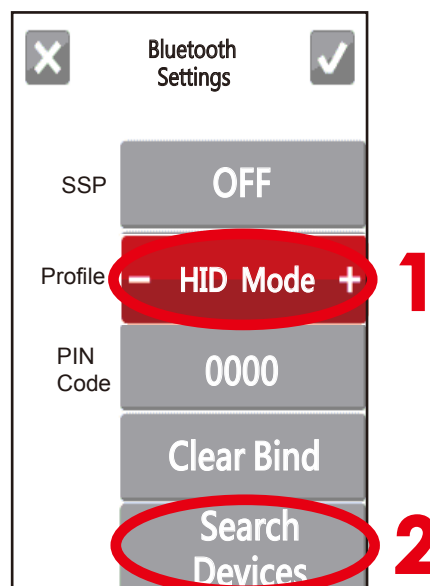
Step 4. Select " Bluetooth Settings"



Step 3. Select "Devices"



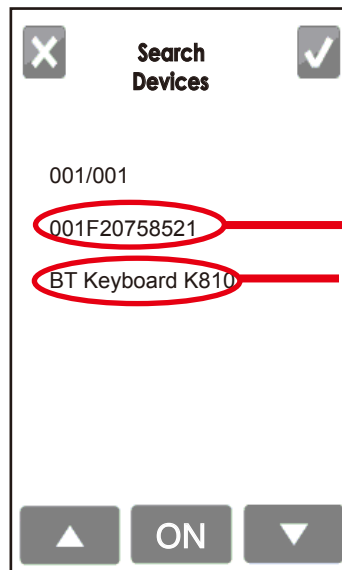
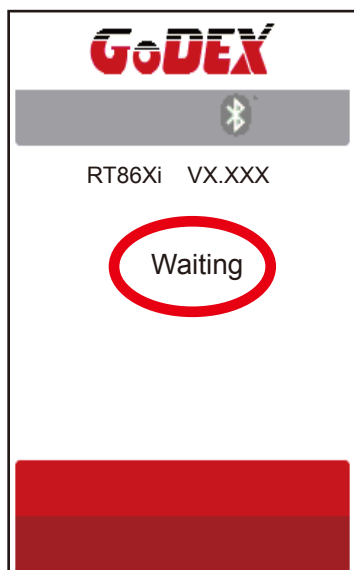
Set "Profile" into "HID Mode" and
then click "Search Devices"



RT860i/RT863i
USER MANUAL
Appendix
Bluetooth setting

Step 6 . The LCD panel will display "Waiting" when the printer detects the Bluetooth keyboard (figure left).

When the Bluetooth keyboard is detected by the printer, the monitor will indicate the information of Bluetooth keyboard (figure right).



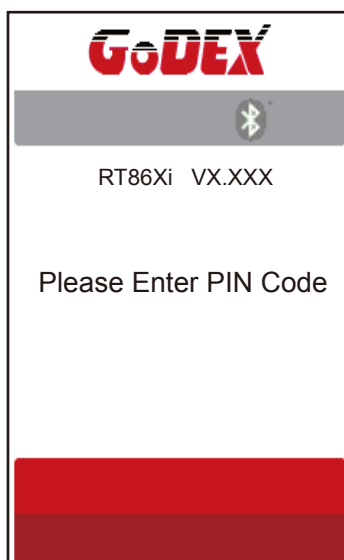
MAC Address

Device

Step 7 . Press "ON" button on the LED panel to create a connection between the printer and the Bluetooth keyboard, and then the LCD panel will display " Please Enter PIN Code " .

Enter the "PIN Code" into the printer via the Bluetooth keyboard.

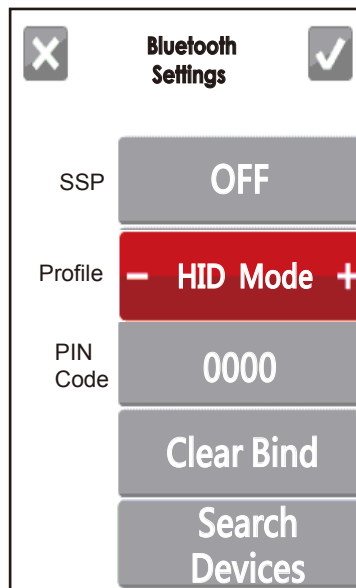
Note : The "PIN Code" does not need to be entered if the "SSP" of the printer and the Bluetooth keyboard is set "ON" .



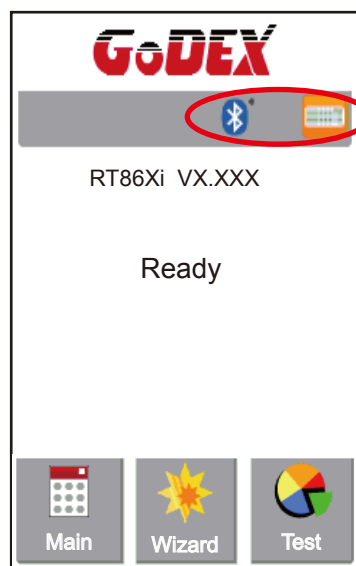
RT860i/RT863i
USER MANUAL
Appendix
Bluetooth setting

Step 8 . When the connection is successfully created, the current panel will be automatically switched to the setting menu of Bluetooth, as the figure below indicates.

(The upper left corner of Bluetooth keyboard will stop flashing at this time.)



If the current panel is switched to main menu, the LCD panel will display "Bluetooth "and "Keyboard" icons, as the figure below indicates.



Appendix

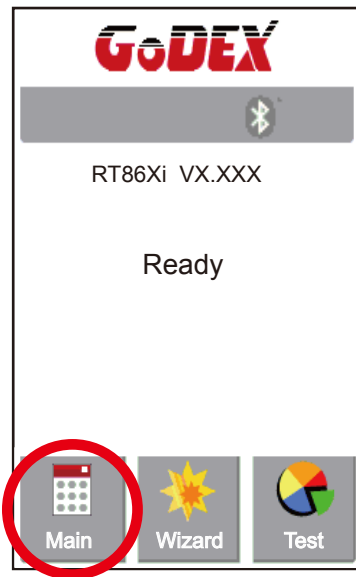
Bluetooth setting

Steps for creating the connection between cellphone and printer via bluetooth

Set the bluetooth value of the printer

Step 1. Power on the printer and LCD panel displays " Main manu "

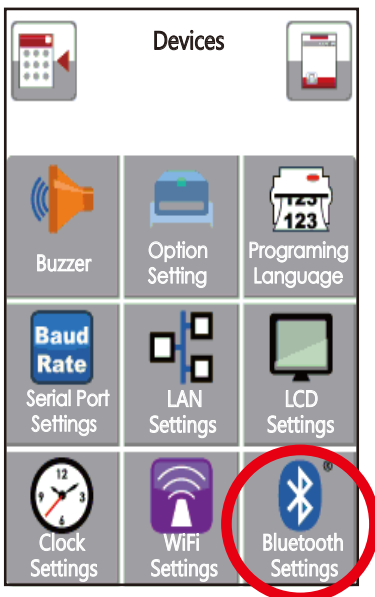
Step 2. Select " Main "



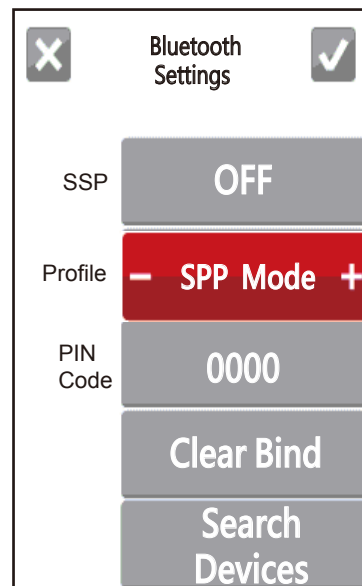
Step 3. Select " Device "



Step 4. Select " Bluetooth settings "



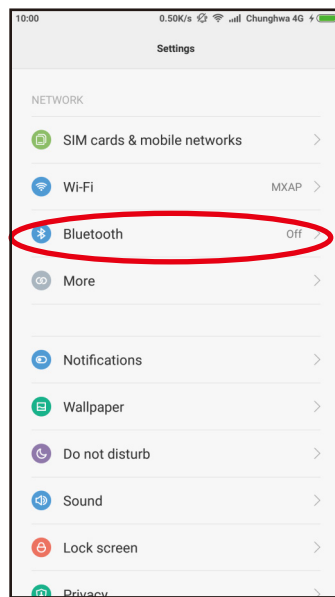
Step 5. Set "Profile " into "SPP Mode" .



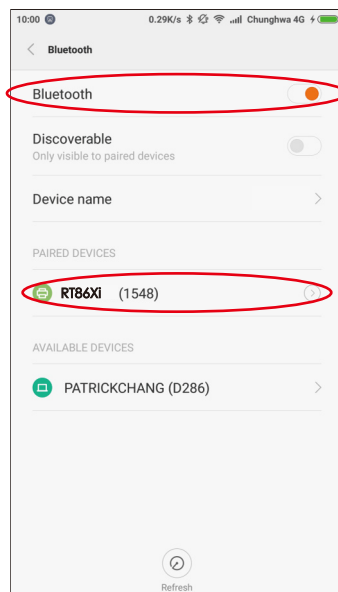
Set the bluetooth function of the mobile phone

(Go App only support Android system and the methods of setting Bluetooth may vary from each mobile phone .)

Step 1. Open "Setting manu of mobile phone and select "Bluetooth" .

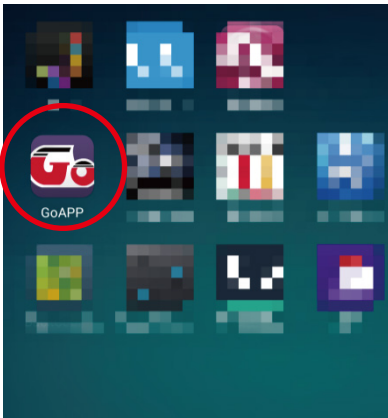


Step 2. After selecting "Open" of Bluetooth, mobile phone will automatically detect Bluetooth devices.
Select the desired device name. After the connection is successfully created, the mobile phone will display the matched device name, as the figure below indicates.

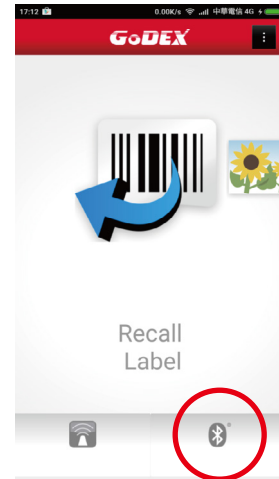


RT860i/RT863i
USER MANUAL
Appendix
Bluetooth setting

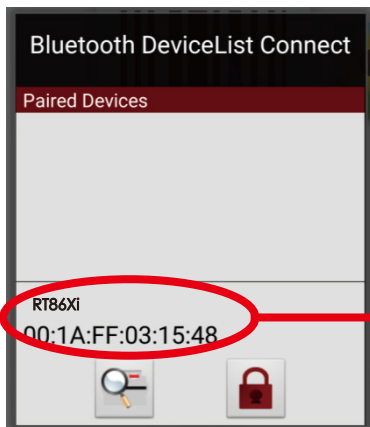
Step 3. Activate " Go APP"



Step 4. Select the icon at the bottom right of " Go APP"

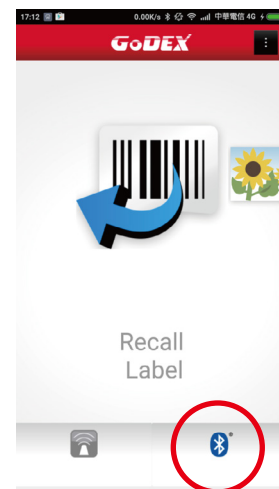


Step 5. Select the desired device name and MAC Address



Device name
and MAC Address

Step 6. The icon at the bottom right of " Go APP" will turn blue when the mobile phone and Bluetooth are properly connected.



Appendix

Bluetooth setting

Steps for creating the connection between PC and printer via bluetooth

Set bluetooth parameters of the printer

Step 1. Power on the printer and LCD panel displays " Main manu"

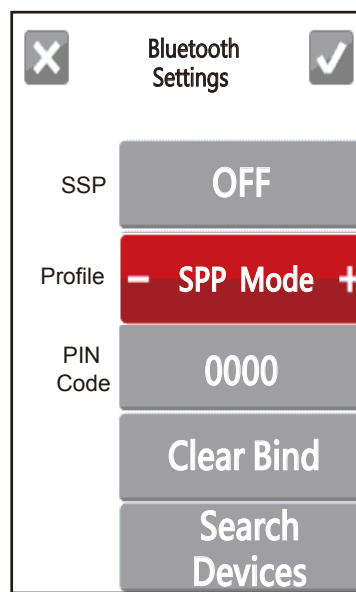
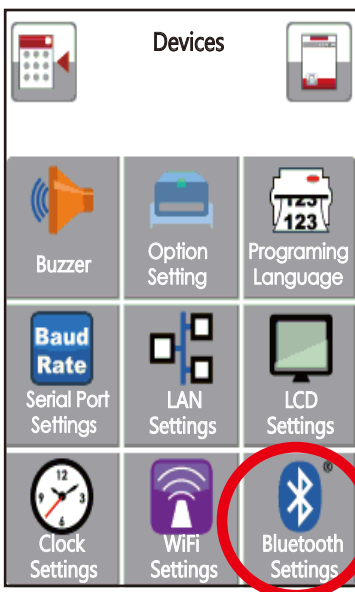
Step 2. Select " Main"

Step 3. Select "Devices"



Step 4. Select " Bluetooth settings"

Step 5. Set "Profile " into "SPP Mode"



Appendix

Bluetooth setting

Activate" BlueSoleil Space" and create the connection after inserting the Bluetooth device into the slot of PC Mainframe

Step 1. Insert the Bluetooth device into the slot of PC Mainframe

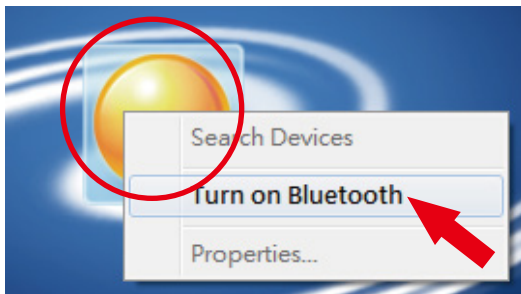


Step 2. Activate" BlueSoleil Space"

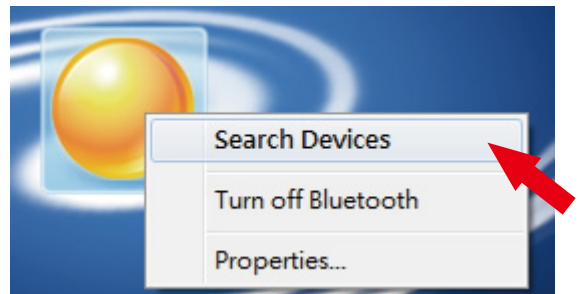
(Each Bluetooth device has its compatible software)



Step 3. Select the desired icon with the mouse and right-click on the mouse to select" Turn on Bluetooth"
(The Bluetooth device now lights up in green.)



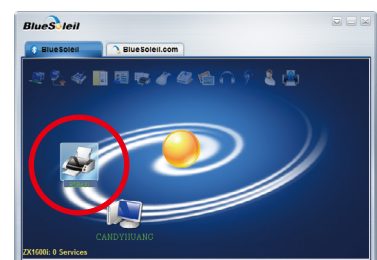
Step 4. Right-click on the mouse and select "Search Devices"



Step 5. The detected device will display" 00:1A:FF:XX:XX:XX "

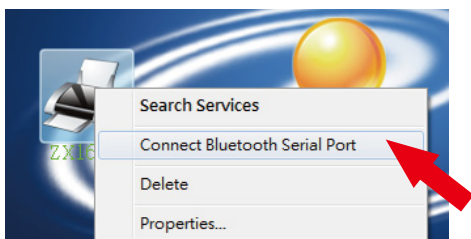


Step 6. Right-click on the mouse and select "Get Device Name" and the icon of the printer will display "RT86Xi"



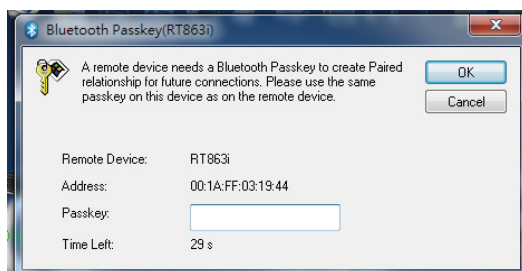
RT860i/RT863i
USER MANUAL
Appendix
Bluetooth setting

Step 7. Right-click on the mouse and select " Connect Bluetooth Serial Port" (see the left figure below),
Then, the screen displays a message of establishing a connection, as the right figure below indicates.



Step 8. Input the Bluetooth code :0000 (default)

Note : The Bluetooth code does not need to be inputted when the SSP mode of the Bluetooth setting in the printer
and the PC is set "Activated" .



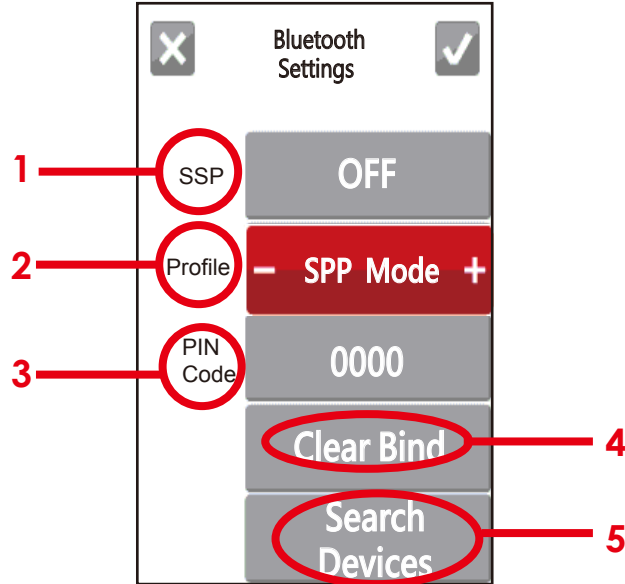
The icon of the printer lights up green when the connection between PC and the printer is successfully created.



Appendix

Bluetooth setting

Introduction of the Bluetooth parameters



1	SSP	The Bluetooth code is not needed to be inputted when the SSP mode of the Bluetooth setting in the printer and the PC/Keyboard is set "Activated" . Please select "Clear Bind" , you are allowed to change the setting after the connection is successfully created.
2	Profile	It can be switched to SPP mode or HID mode. SPP mode: For creating the connection of PC or mobile phone HID mode: For creating the connection of Bluetooth keyboard and Bluetooth scanner. Please select "Clear Bind" , you are allowed to change the setting after the connection is successfully created.
3	PIN Code	Code of printers and Bluebooth. Please select "Clear Bind" , you are allowed to change the setting after the connection is successfully created.
4	Clear Bind	It deletes connections of Bluetooth devices.
5	Search Devices	It scans Bluetooth devices when pressing the button. It shows information of devices when the searching is completed. 1. It only supports HID 2. It only shows English and numbers. 3. It shows maximum 16 pairs information of devices * It disconnects current connection when functioning, after creating a successful connection.

Appendix

Wi-Fi Setting

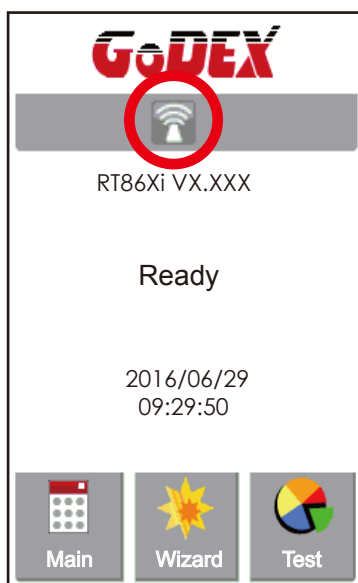
Manual of Wi-Fi Module Installation

Step 1. Turn Off the Power

Step 2. Insert the Wireless Module

Please follow the "Wireless Module Installation Manual" to insert the wireless module of RT863i

Step 3. The screen will display a grey Wi-Fi icon, and this means the printer has successfully detected the wireless module.



Appendix

Wi-Fi Setting

Matching the Wireless Access Point Through Touch Panel

Step 1. Turn on the printer and LCD panel will display

"Main menu"

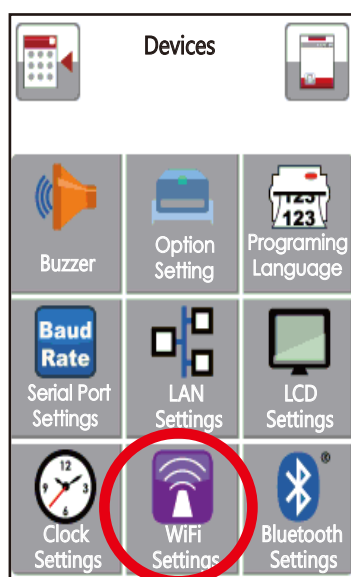
Step 2. Select "Main"



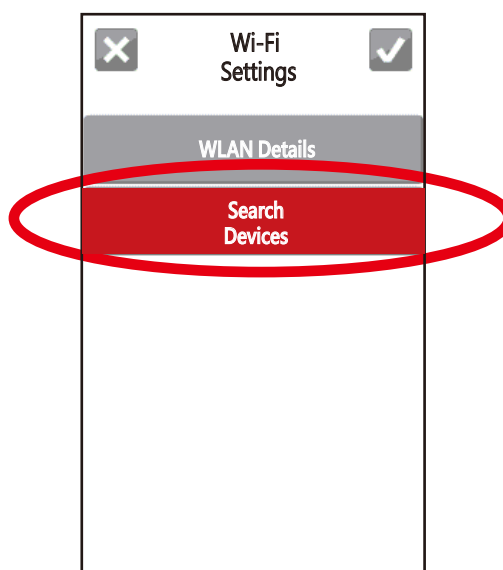
Step 3. Select "Devices"



Step 4. Select "WIFI Settings"



Step 5. Select "Search Devices"



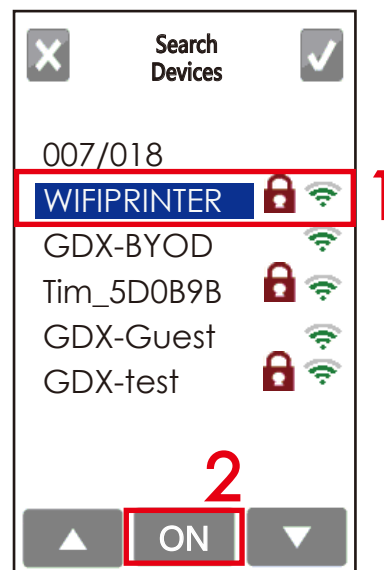
Appendix

Wi-Fi Setting

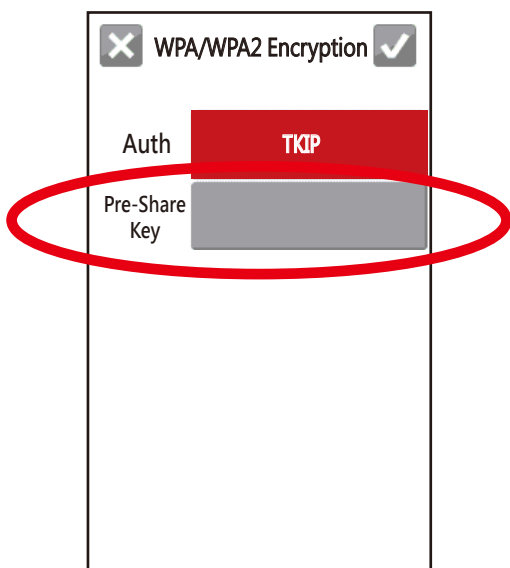
Step 6. Wi-Fi device lists will pop-up
after a few seconds



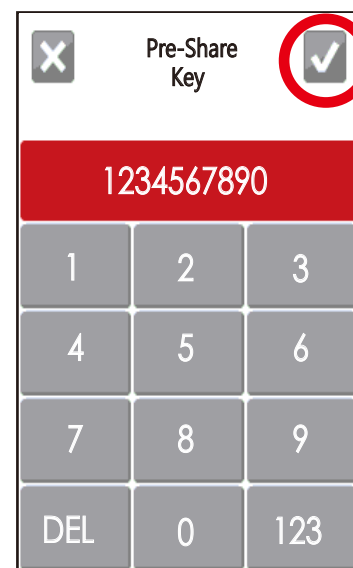
Step 7. Choose the assigned Wi-Fi device
then press the ON button



Step 8. Click on Password Column



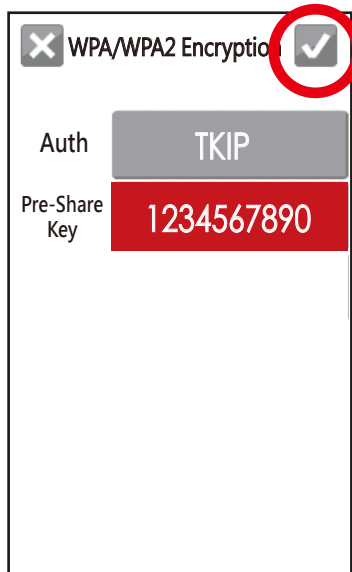
Step 9. Insert Password and Click



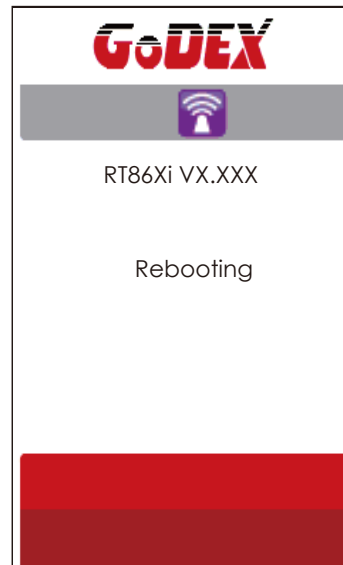
Appendix

Wi-Fi Setting

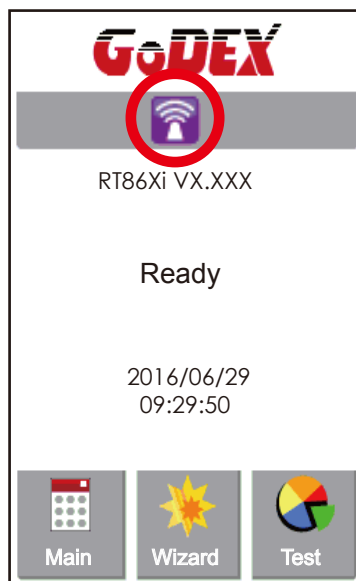
Step 10 . Click on again and connect to AP



Step 11. When Wi-Fi module is successfully installed, the printer will restart



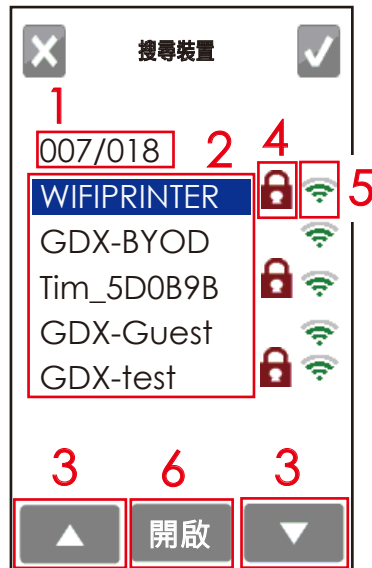
Step 12. If the Wi-Fi Icon turns purple, it means the printer is connected to a Wi-Fi device



Appendix

Wi-Fi Setting

Definition of Wireless Devices Interface



No.	Item	Explanation
1	Serial Number	Number of current connecting devices / Total device number
2	SSID	Lists of Wi-Fi options. It shows 5 devices at a time (Highlighted item is the current connecting device)
3	Up/Down	Click Up/Down button to switch the connecting devices
4	Password	It means the device needs password to connect
5	Signal Strength	The more bars it shows , the stronger the signal is it
6	Connecting Button	The button to connect with devices

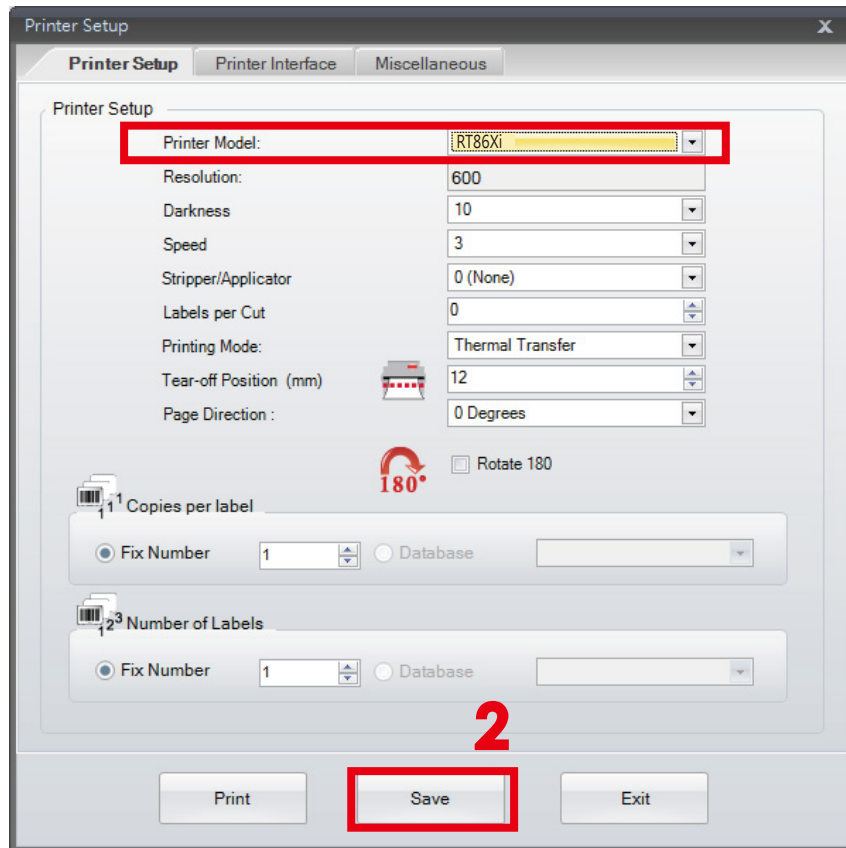
Appendix

Wi-Fi Setting

How to connect to a wireless access point through GoLabel

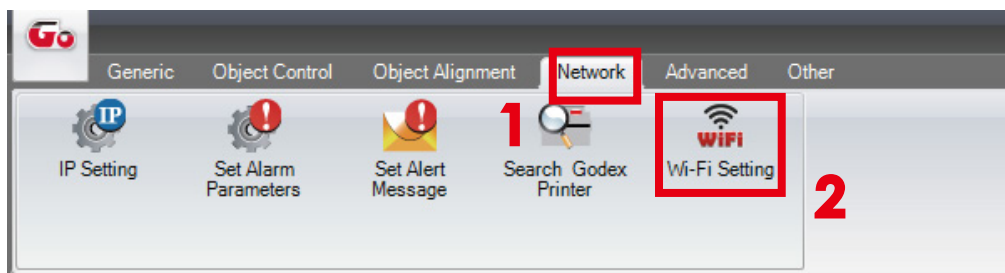
Step 1. Open GoLabel V1.12 and click on the assigned printer model (Ex:RT863i)

Step 2. Press "OK"



Step 3. Select "Netsetting"

Step 4. Select "Wi-Fi Setting"



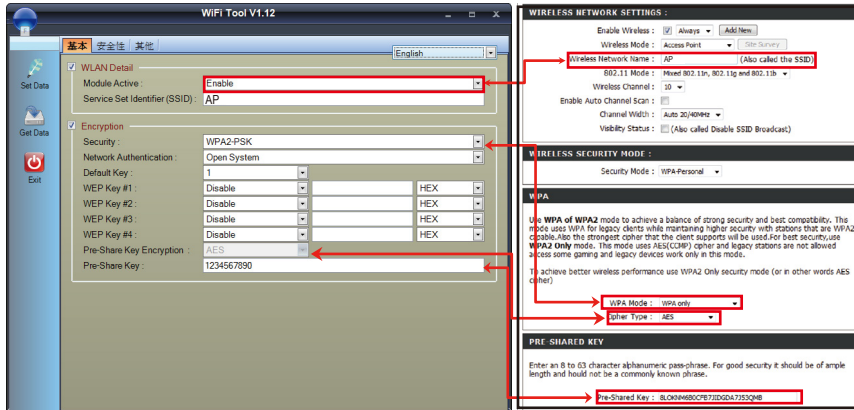
Appendix

Wi-Fi Setting

The tip to set Wi-Fi

Step 1. Pressing the <Setting Parameter> button

Step 2. Wait for three seconds, and the printer will restart(It may vary per condition)



Step 3. After the printer restart, if the Wi-Fi icon turns purple, it means the printer is successfully connected to a Wifi device

